

VOLVO CARS RECOMMENDED EQUIPMENT



Attrezzatura consigliata
Recommended equipment
Empfohlene Werkstattausrüstung
Equipements conseillé
Equipos recomendados



COMPANY WITH
QUALITY SYSTEM
CERTIFIED BY DNV GL
= ISO 9001 =



2 POST LIFTS

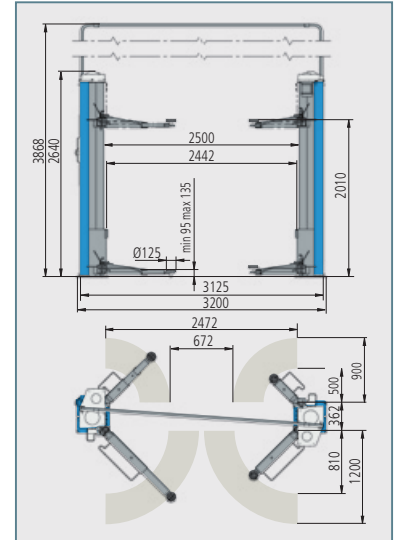


Electromechanical baseless 2-post lift

KPX 337WK / 3200 kg

Volvo specification number: 11.108.01

SPJ SE 26123



Electrohydraulic baseless 2-post lift

KPH 370.32K / 3200 kg

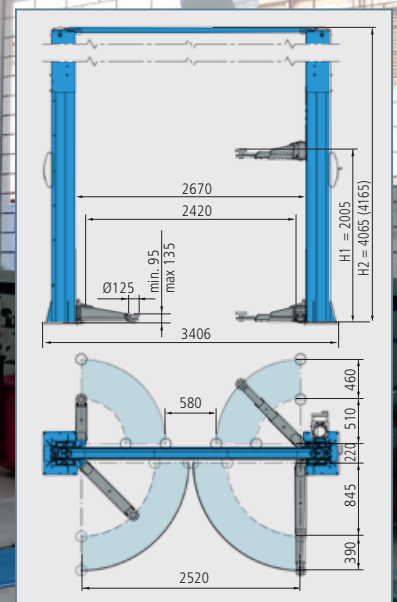
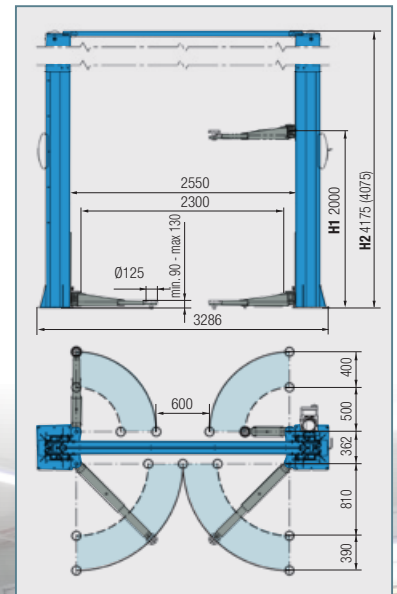
Volvo specification number: 11.108.01

SPJ SE 26123

KPH 370.42K / 4200 kg

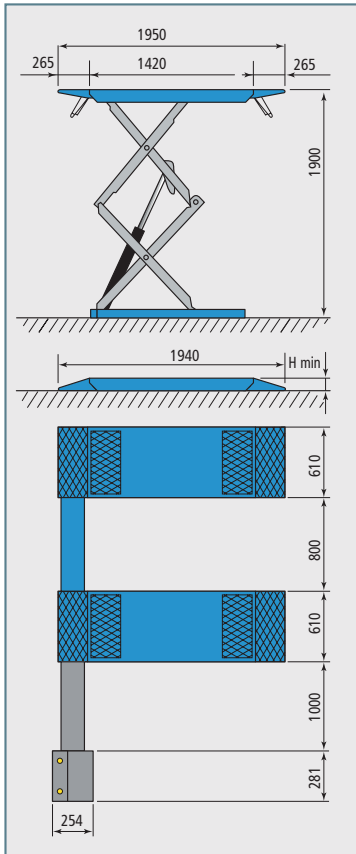
Volvo specification number: 11.108.01

SPJ SE 26123





LOW PROFILE SCISSOR LIFTS



RAV 518NL / 3000 kg (H min = 110 mm)
 RAV 518T / 3000 kg (H min = 95 mm)
 RAV 535 / 3500 kg (H min = 100 mm)
 Volvo specification number: 0.105.03
 SPJ 25661



SCISSOR LIFTS

Lifts with flat platforms

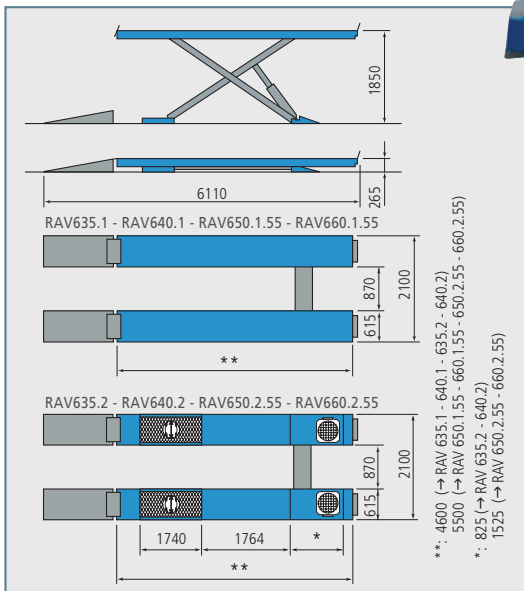
RAV 635.1 / 3500 kg
 RAV 640.1 / 4000 kg
 RAV 650.1.55 / 5000 kg
 RAV 660.1.55 / 6000 kg

Volvo specification number: 0.105.03
 SPJ 25662

Wheel alignment lifts

RAV 635.2 / 3500 kg
 RAV 640.2 / 4000 kg
 RAV 650.2.55 / 5000 kg
 RAV 660.2.55 / 6000 kg

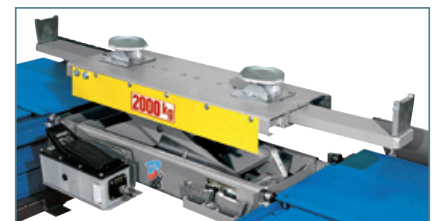
Volvo specification number: 0.105.03
 SPJ 25662



Jacking Beam

J20PNX / 2000 kg air-hydraulic
 J20PNXL / 2000 kg air-hydraulic large
 J30PRL / 3000 kg air-hydraulic large
 Volvo specification number: 0.103.03

Air-hydraulic scissor wheel-free jack





IN GROUND PISTON LIFTS



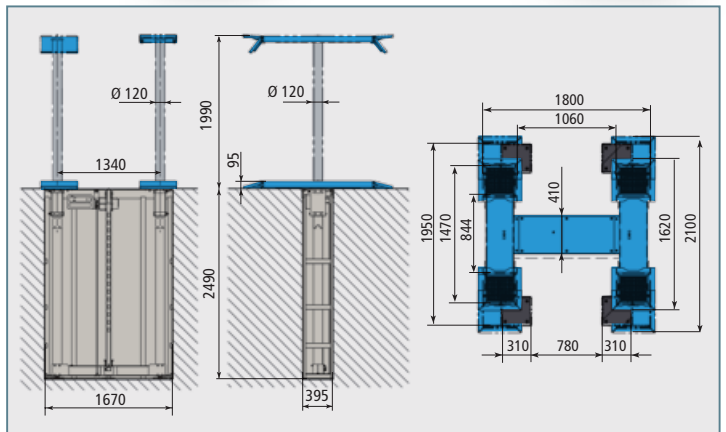
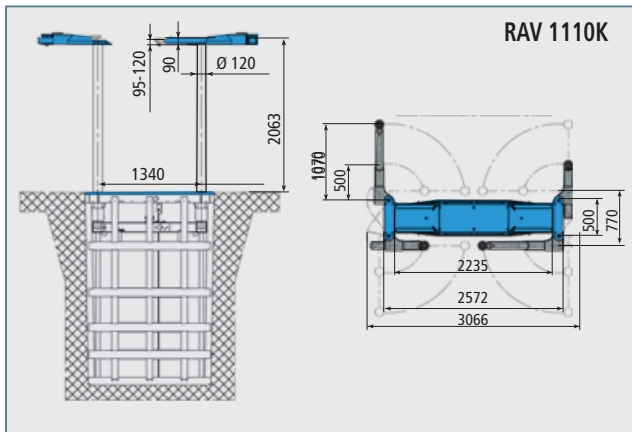
RAV 1110NK / 3500 kg

Version with lifting arms
S1110A5 - Complete waterproof frame
Volvo specification number: 11.110.01
SPJ SE 26125



RAV 1125M / 3500 kg

Lift with adjustable track of pick up supports
S1110A5 - Complete waterproof frame
Volvo specification number: 11.110.01
SPJ SE 26125

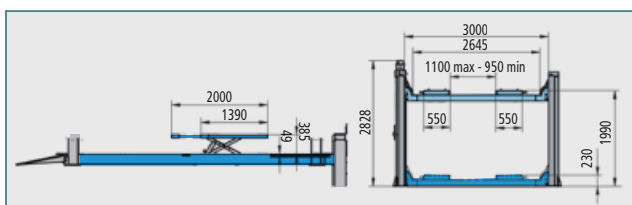
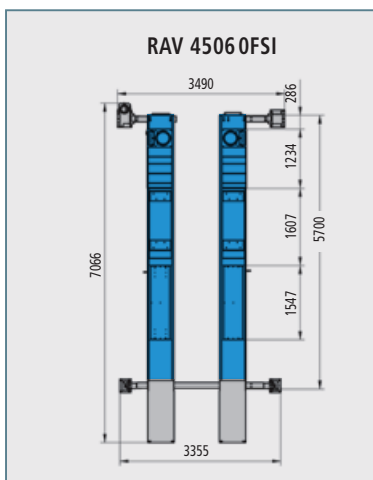


4 POST LIFTS - OPEN FRONT

Wheel alignment lifts

RAV 4506OFSI / 5000 kg

Volvo specification number: 0.103.03
SPJ SE 25660





Versions with flat platforms

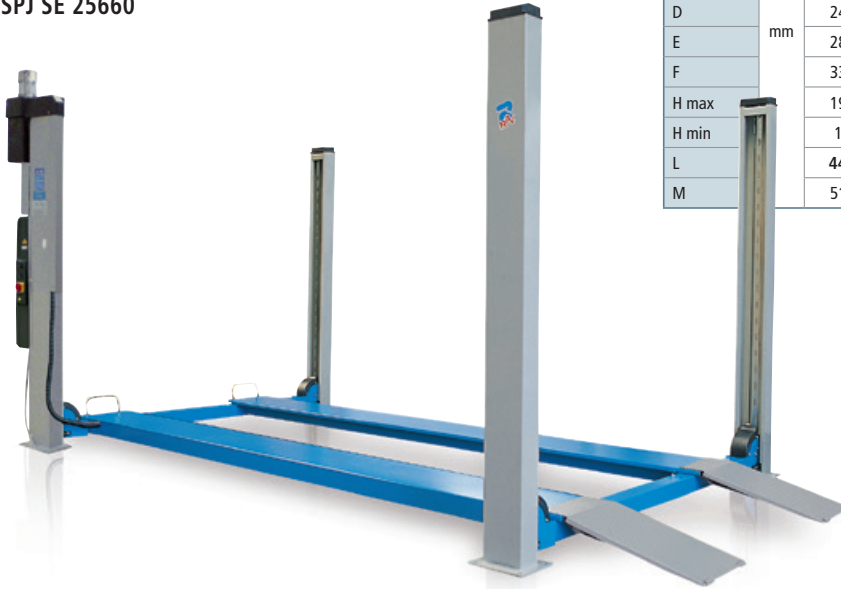
RAV 4401 / 4000 kg

RAV 4405L / 4000 kg

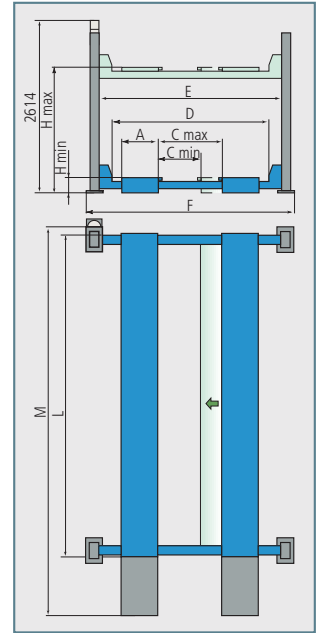
RAV 4501L / 5000 kg

Volvo specification number: 0.103.03

SPJ SE 25660



Technical Data		RAV 4401	RAV 4405L	RAV 4501L
Capacity	kg	4000		5000
Motor	kW	2,6		
Dimensions				
A		500	650	
C max		1250	900	940
C min		910	900	776
D		2470	2670	2645
E	mm	2800		3000
F		3365		3355
H max		1905		1915
H min		150		160
L		4460	5100	5700
M		5190	6170	6670



Versions for full wheel alignment

RAV 4402 / 4000 kg

RAV 4406L / 4000 kg

Platforms for total wheel alignment with front turning plates locations and rear slip plates.

RAV 4502L / 5000 kg

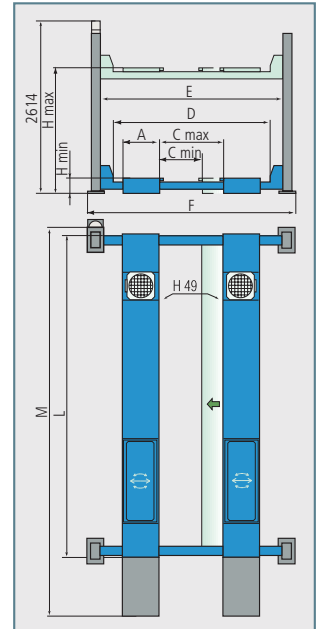
Extra-long platforms for total wheel alignment with front turning plates locations and rear slip plates.

Volvo specification number: 0.103.03

SPJ SE 25660



Technical Data		RAV 4402	RAV 4406L	RAV 4502L
Capacity	kg	4000		5000
Motor	kW	2,6		
Dimensions				
A		530	650	
C max		1210	1225	1180
C min		860	853	786
D		2470	2670	2645
E		2800		3000
F	mm	3365		3355
H max		1915		1965
H min		160		210
L		4460	5100	5700
M		5190	6354	6964





WHEEL ALIGNMENT - CCD CAMERAS



RAVTD1780WS

8-CCD sensor wheel aligner.
Volvo specification number: 6.101.03
SPJ SE 25716

Infra-red transmission among measuring heads. Bluetooth transmission between front measuring heads and control unit. Maximum mobility between different working positions thanks to the absence of cables and any fix structure.

Recommended accessories:

STDA72 (2 set)
24" to 28" extensions for 2 clamps



STANDARD

- 1 control unit with PC, key-board, printer and battery-charger
- 2 front measuring heads
- 2 rear measuring heads
- 2 pair of four point clamps
- 1 pair of S110A7 turn tables
- 1 brake pedal depressor
- 1 steering wheel lock
- Instruction manual on CD



WHEEL ALIGNMENT - 3D

RAVTD3000HP.B

3D wheel aligner.
Volvo specification number: 6.101.03
SPJ SE 25716

Premium cabinet
3-point clamps



Quick battery change.



Keyboard with remote-control function.

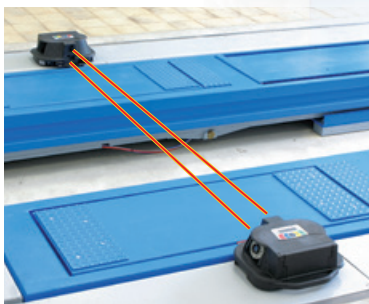
Recommended accessories:

STDA72 (2 set) - 24" to 28" extensions for 2 clamps

RAVTD3000L

3D wheel aligner.
Volvo specification number: 6.101.03
SPJ SE 25716

Space saver cabinet
4-point clamps



Can be used on any 4 post or scissors lift.
Automatic lift level compensation.



2 universal supports included





BRAKE TESTER



RAV RT009/4E

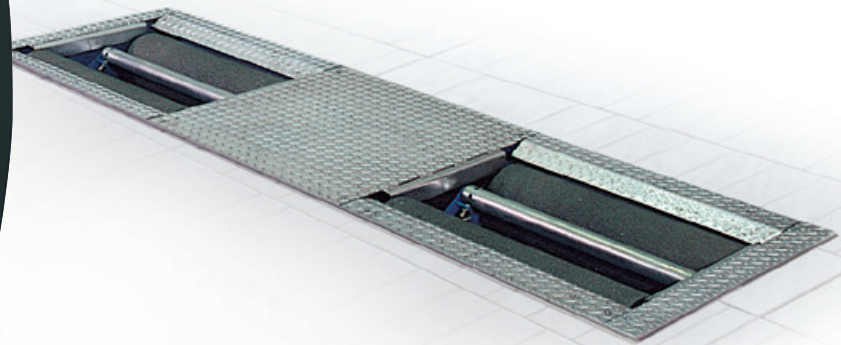
Computerised control unit with colour TFT monitor 19".

Volvo specification number: 5.101.05
SPJ SE 25715



RAV RT102

Roller brake tester
Motors: 4,7 + 4,7 kW
Breaking measurement up to 6000N
Available also with selfbraking motors and built-in weighting unit.



WHEEL BALANCERS

G3.140RS

Professional wheel balancer with automatic distance and diameter measurement. Colour monitor TFT 19" with industrial PC. Complete with wheel hood, car cones and quickfit nut.
Volvo specification number: 7.101.04
SPJ 25717



G2.121

Professional wheel balancer with automatic distance and diameter measurement. LCD display 132x40 mm. Complete with wheel hood, car cones and quickfit nut.
Volvo specification number: 7.101.04
SPJ 25717



Recommended accessories:
GAR131H - Universal flange

RS models include ① + ② + ③



G 1150.30 MAGIC

Leverless tyre changer with:

- center locking
- plastic tool
- variable speed motor
- inflation device

Max rim diameter: 10"-30"

Maximum tyre width: 15"

PLUS93 - Helping arm

G1000A127 - Wheel lift

Volvo specification number: 7.102.04

SPJ SE 25718

The bead-breaking is performed by means of an EASY ROLLER:

- bead-breaking in correct position
- easy rotation of the roller
- automatic side-movement of the roller
- memorized position for bead breaking of wheel lower side

Tyre Demounting



Tyre Mounting



Bead Breaking



G7645.26

Automatic tyre changer with tilting column.

External self-centering lock: 10"-26"

Internal self-centering lock: 12"-28"

Maximum tyre width: 17"

Volvo specification number: 7.102.04
SPJ SE 25718



G7645IV.26 + PLUS83H

Automatic tyre changer with:

- tilting column
- a large and reinforced frame
- with 2 speed motor
- inflation device

External self-centering lock: 10"-28"

Internal self-centering lock: 12"-28"

Maximum tyre width: 17"

PLUS83H - Helping arm

Volvo specification number: 7.102.04
SPJ SE 25718



Recommended accessories:

G800A6 - 4 clamp protections

G800A117 - Tool protection

G800A11 - Bead breaker protection



Ravaglioli

Ravaglioli S.p.A.

40037 Sasso Marconi Fraz. Pontecchio M. - P.O.B. 1690 - Bologna - Italia

Tel. +39 - 051 - 6781511 - Fax +39 - 051 - 846349

rav@ravaglioli.com - www.ravaglioli.com

a DOVER company