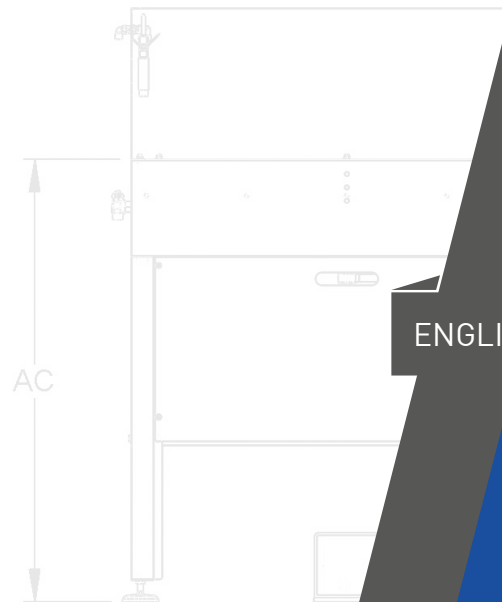


Teknox

METAL CLEANING
EVOLUTION



ENGLISH 

HIGH
QUALITY
guaranteed

HELP
DESK


MADE
IN ITALY

SINCE
1967

LAVAPEN LINE

LAVAPEN P OPEN

THIS SYSTEM PERFORMS THE **SUCCESSFUL WASHING** OF SMALL AND MEDIUM SIZED MECHANICAL PARTS.

In this configuration (P) the machine is fed by compressed air and can be used only with compatible solvents with flash point → 55 °C.



SPRAY WASHING

TECHNICAL FEATURES

- Structure and sheet metal in contact with liquid in Aisi 304 stainless steel
- Special washing nozzle with jet under pressure and non-slip grip
- Pedal-controlled washing action
- Adjustable feet
- Compressed air blowing gun
- Manually adjustable washing pressure
- Internal welding bleaching
- Intake and delivery pump hose (easy maintenance)
- Special ergonomic washing brush
- Drain valves for emptying tanks
- Manual valve for surface liquid drain (whole oil)



LAVAPEN 3P OPEN



VERSION
- P (5 bar pressure, pneumatic)



CONTROL
- Pneumatic



NUMBER OF TANKS
- Single tank



AREAS OF APPLICATION
- Maintenance
- Mechanical industry

**LAVAPEN
OPEN P**

2P
3P
4P

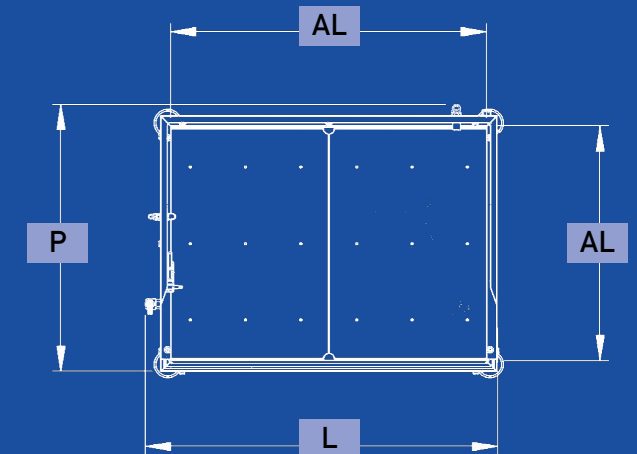
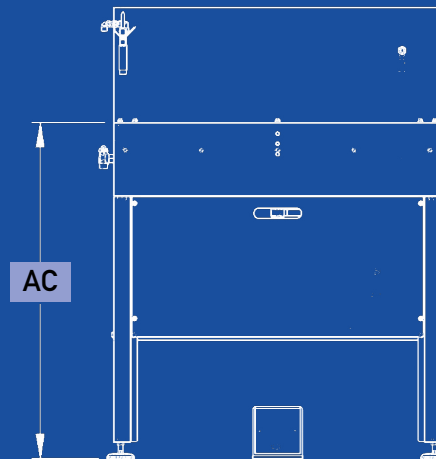
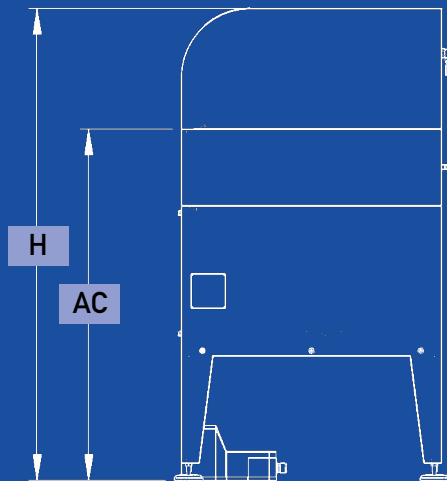
ACCESSORIES

- Stainless steel cartridge filter (10/25/50 micron)
- Machine equipped with wheels for handling
- Increased loading capacity to 150 kg

TECHNICAL DATA	LP 2P OP	LP 3P OP	LP 4P OP
Load capacity	70 kg	70 kg	70 kg
Tank 1 capacity	40 lt	75 lt	90 lt
Pump 1	2 bar 5 lt/min	2 bar 5 lt/min	2 bar 5 lt/min
Power supply	Pneumatic	Pneumatic	Pneumatic

DIMENSIONS AND LAYOUT		LP 2P OP	LP 3P OP	LP 4P OP
L	width	86 cm	111 cm	136 cm
P	depth	66 cm	82 cm	92 cm
H	height	140 cm	140 cm	140 cm
AL	washing area	70 x 55 cm	95 x 70 cm	120 x 80 cm
AC	loading height	100 cm	100 cm	100 cm
W	weight	55 Kg	75 Kg	90 Kg
RU	noise LT	75 dBa	75 dBa	75 dBa

SUCCESSFUL WASHING



LAVAPEN C OPEN

THIS SYSTEM PERFORMS THE **SUCCESSFUL WASHING** OF SMALL AND MEDIUM SIZED MECHANICAL PARTS.

In this configuration (C), the machine is fed by single-phase current. It is then possible to heat the washing liquid up to 60 °C, and to wash parts with an adjustable pressurised pump up to 8 bar.



SPRAY WASHING

TECHNICAL FEATURES

- Structure and sheet metal in contact with liquid in Aisi 304 stainless steel
- Special washing nozzle with jet under pressure and non-slip grip
- Minimum level switch
- Pedal-controlled washing action
- Adjustable feet
- Compressed air blowing gun
- Manually adjustable washing pressure
- IP65 electrical system, electromechanical controls
- Heating of the liquid with stainless steel electric heating element
- Internal welding bleaching
- Intake and delivery pump hose (easy maintenance)
- Special ergonomic washing brush
- Drain valves for emptying tanks
- Manual valve for surface liquid drain (whole oil)



LAVAPEN 3C OPEN



VERSION

- C (pressure 8 bar, heating up to 60°C)



CONTROL

- Electromechanical



NUMBER OF TANKS

- Single tank



AREAS OF APPLICATION

- Maintenance
- Mechanical industry

**LAVAPEN
OPEN C**

2C

3C

4C

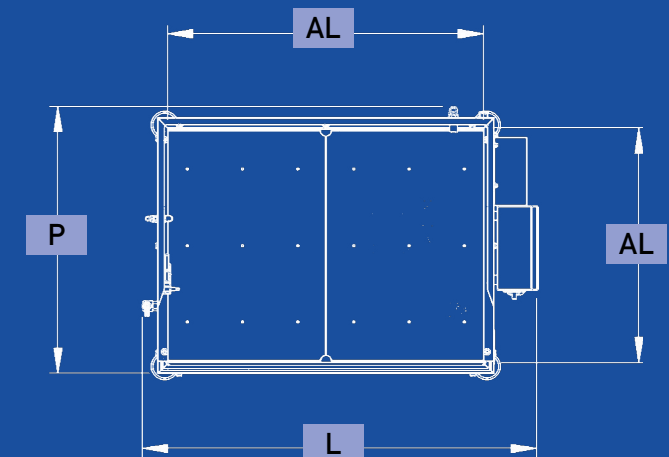
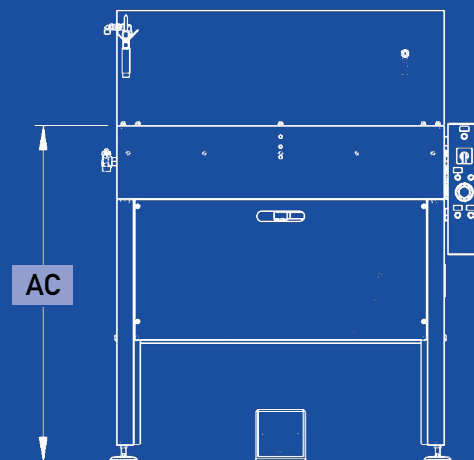
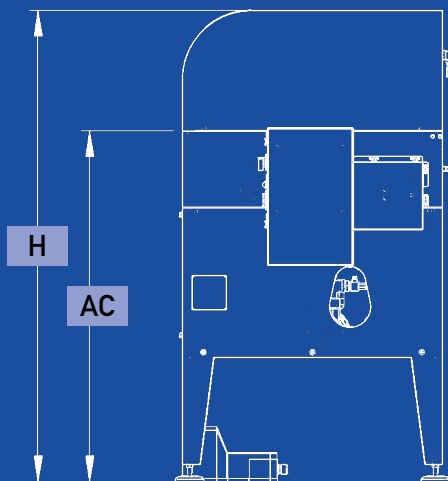
ACCESSORIES

- Stainless steel cartridge filter (10/25/50 micron)
- Immersed magnet for separation of ferritic or grinding powder
- Heating start-up weekly programmer
- Heating with external resistances, not in contact with the liquid
- Machine equipped with wheels for handling
- Increased loading capacity to 150 kg

TECHNICAL DATA	LP 2C OP	LP 3C OP	LP 4C OP
Load capacity	70 kg	70 kg	70 kg
Tank 1 capacity	40 lt	75 lt	90 lt
Pump 1	0,75 kW 9 bar 10 lt/min	0,75 kW 9 bar 10 lt/min	0,75 kW 9 bar 10 lt/min
Heating tank 1	3 kW	3 kW	3 kW
Power supply	Single-phase	Single-phase	Single-phase

DIMENSIONS AND LAYOUT		LP 2C OP	LP 3C OP	LP 4C OP
L	width	94 cm	119 cm	144 cm
P	depth	66 cm	82 cm	92 cm
H	height	140 cm	140 cm	140 cm
AL	washing area	70 x 55 cm	95 x 70 cm	120 x 80 cm
AC	loading height	100 cm	100 cm	100 cm
W	weight	75 Kg	105 Kg	111 Kg
RU	noise LT	75 dBa	75 dBa	75 dBa

SUCCESSFUL WASHING



LAVAPEN P

THIS SYSTEM PERFORMS THE **SUCCESSFUL WASHING** OF SMALL AND MEDIUM SIZED MECHANICAL PARTS. WASHING IS CARRIED OUT MANUALLY WITH TWO GLOVES IN THE FRONT PART.

In this configuration (P) the machine is fed by compressed air and can be used only with compatible solvents with flash point → 55 °C.



SPRAY WASHING

TECHNICAL FEATURES

- Hatch closure assisted with gas springs and fastening hook
- Black latex gloves 660 mm long
- Tank border gasket
- Structure and sheet metal in contact with liquid in Aisi 304 stainless steel
- Special washing nozzle with jet under pressure and non-slip grip
- Safety limit switch on cover opening
- Pedal-controlled washing action
- Adjustable feet
- Closing hatch with hoses and tempered glass
- Compressed air blowing gun



LAVAPEN 3P

- Manually adjustable washing pressure
- Internal welding bleaching
- Intake and delivery pump hose (easy maintenance)
- Special ergonomic washing brush
- Drain valves for emptying tanks
- Manual valve for surface liquid drain (whole oil)



VERSION

- P (5 bar pressure, pneumatic)



CONTROL

- Pneumatic



NUMBER OF TANKS

- Single tank



AREAS OF APPLICATION

- Maintenance
- Mould washing
- Mechanical / Aviation industry
- Graphic industry and Paint factories
- Electronics / Chemicals industry
- Pharmaceutical industry

LAVAPEN P

2P

3P

4P

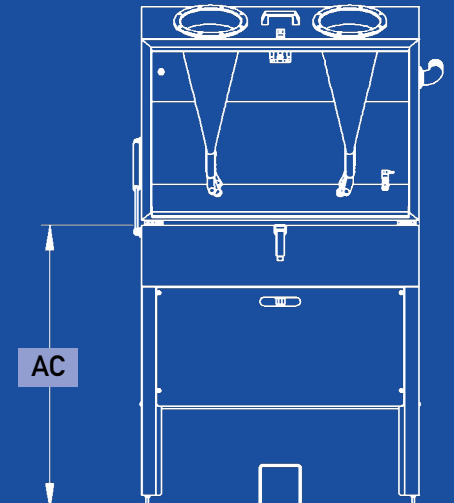
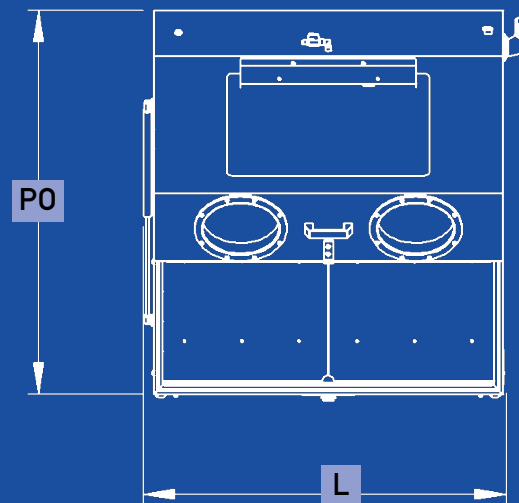
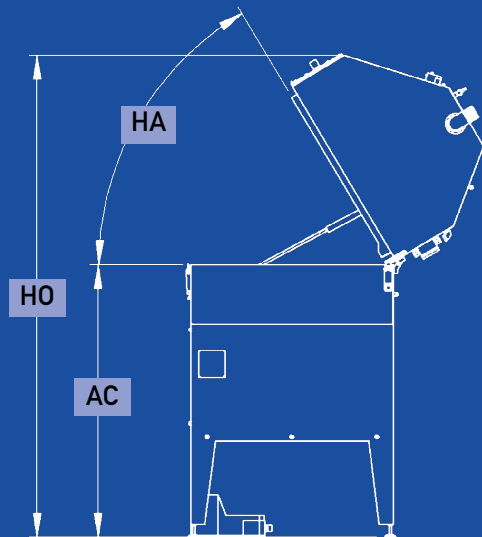
ACCESSORIES

- Stainless steel cartridge filter (10/25/50 micron)
- Machine equipped with wheels for handling
- Increased loading capacity to 150 kg

TECHNICAL DATA	LP 2P	LP 3P	LP 4P
Load capacity	70 kg	70 kg	70 kg
Tank 1 capacity	40 lt	75 lt	90 lt
Pump 1	Nozzle 5 bar 2 lt/min Brush 2 bar 5 lt/min	Nozzle 5 bar 2 lt/min Brush 2 bar 5 lt/min	Nozzle 5 bar 2 lt/min Brush 2 bar 5 lt/min
Power supply	Pneumatic	Pneumatic	Pneumatic

DIMENSIONS AND LAYOUT		LP 2P	LP 3P	LP 4P
L	width	92 cm	117 cm	142 cm
P	depth	66 cm	85 cm	95 cm
PO	depth with opened machine	98 cm	111 cm	120 cm
H	height	160 cm	160 cm	160 cm
HO	height with opened machine	170 cm	180 cm	190 cm
AL	washing area	70 x 55 cm	95 x 70 cm	120 x 80 cm
HL	washing height	45 cm	45 cm	45 cm
AC	loading height	100 cm	100 cm	100 cm
HA	opening angle	60°	60°	60°
W	weight	55 Kg	75 Kg	90 Kg
RU	noise LT	75 dBa	75 dBa	75 dBa

SUCCESSFUL WASHING



LAVAPEN C

THIS SYSTEM PERFORMS THE **SUCCESSFUL WASHING**

OF SMALL AND MEDIUM SIZED MECHANICAL PARTS.

WASHING IS CARRIED OUT MANUALLY WITH TWO GLOVES IN THE FRONT PART.

The appropriate washing results are ensured by a high pressure pump and a special spray-nozzle. In this configuration (C), the machine is fed by single-phase current. It is then possible to heat the washing liquid up to 60 °C, and to wash parts with an adjustable pressurised pump up to 8 bar.



SPRAY WASHING

A FREE SET OF SPARE GLOVES INCLUDED!



LAVAPEN 3C

TECHNICAL FEATURES

- Hatch closure assisted with gas springs and fastening hook
- Black latex gloves 660 mm long
- Tank border gasket
- Structure and sheet metal in contact with liquid in Aisi 304 stainless steel
- Special washing nozzle with jet under pressure and non-slip grip
- Minimum level switch
- LED light to illuminate the inside of the washing area
- Safety limit switch on cover opening
- Pedal-controlled washing action
- Adjustable feet
- Stainless steel electric pump with special seals

- Closing hatch with hoses and tempered glass
- Compressed air blowing gun
- Manually adjustable washing pressure
- IP65 electrical system, electromechanical controls
- Heating of the liquid with stainless steel electric heating element
- Internal welding bleaching
- Intake and delivery pump hose (easy maintenance)
- Special ergonomic washing brush
- Drain valves for emptying tanks
- Manual valve for surface liquid drain (whole oil)



VERSION

- C (pressure 8 bar, heating up to 60°C)



CONTROL

- Electromechanical



NUMBER OF TANKS

- Single tank



AREAS OF APPLICATION

- Maintenance
- Mould washing
- Mechanical / Aviation industry
- Graphic industry and Paint factories
- Electronics / Chemicals industry
- Pharmaceutical industry

LAVAPEN C

2C

3C

4C

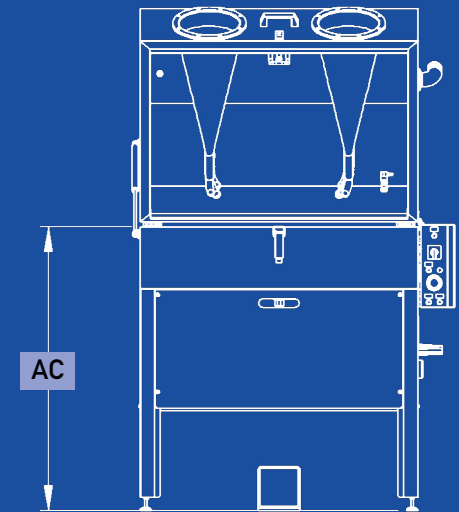
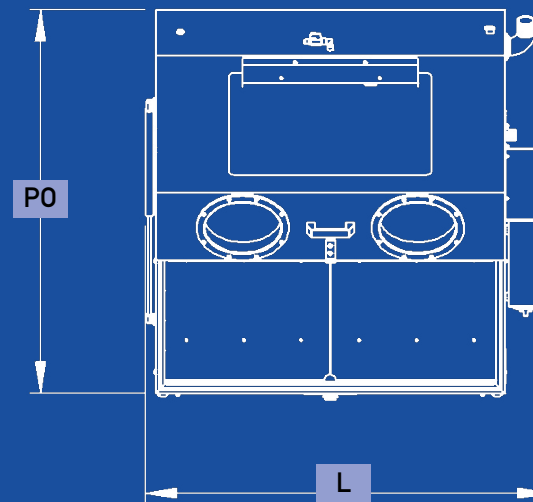
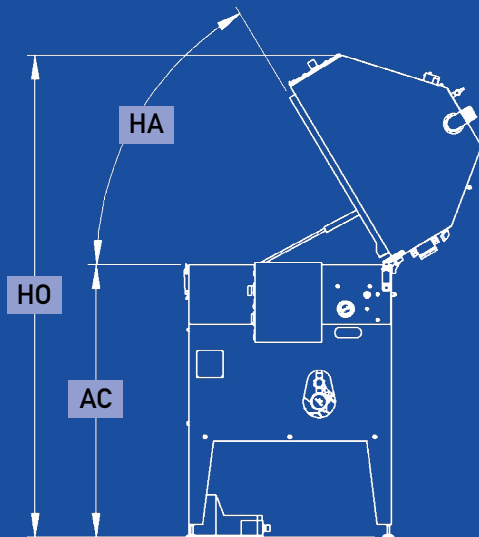
ACCESSORIES

- Stainless steel cartridge filter (10/25/50 micron)
- Immersed magnet for separation of ferritic or grinding powder
- Heating start-up weekly programmer
- Heating with external resistances, not in contact with the liquid
- Machine equipped with wheels for handling
- Increased loading capacity to 150 kg

TECHNICAL DATA	LP 2C	LP 3C	LP 4C
Load capacity	70 kg	70 kg	70 kg
Tank 1 capacity	40 lt	75 lt	90 lt
Pump 1	Nozzle 5 bar 2 lt/min Brush 2 bar 5 lt/min	Nozzle 5 bar 2 lt/min Brush 2 bar 5 lt/min	Nozzle 5 bar 2 lt/min Brush 2 bar 5 lt/min
Heating tank 1	3 kW	3 kW	3 kW
Power supply	Single-phase	Single-phase	Single-phase

DIMENSIONS AND LAYOUT		LP 2C	LP 3C	LP 4C
L	width	95 cm	120 cm	145 cm
P	depth	66 cm	85 cm	95 cm
PO	depth with opened machine	98 cm	111 cm	120 cm
H	height	160 cm	160 cm	160 cm
HO	height with opened machine	170 cm	180 cm	190 cm
AL	washing area	70 x 55 cm	95 x 70 cm	120 x 80 cm
HL	washing height	45 cm	45 cm	45 cm
AC	loading height	100 cm	100 cm	100 cm
HA	opening angle	60°	60°	60°
W	weight	75 Kg	105 Kg	111 Kg
RU	noise LT	75 dBa	75 dBa	75 dBa

SUCCESSFUL WASHING



LAVAPEN X

THIS SYSTEM PERFORMS THE SUCCESSFUL WASHING

OF SMALL AND MEDIUM SIZED MECHANICAL PARTS.

WASHING IS CARRIED OUT MANUALLY WITH TWO GLOVES IN THE FRONT PART.

The appropriate washing results are ensured by a high pressure pump and a special spray-nozzle. In this configuration (X), the machine is fed by single-phase current. It is then possible to heat the washing liquid up to 60 °C, and to wash parts with an adjustable pressurised pump up to 80 bar.



SPRAY WASHING

A FREE SET OF SPARE GLOVES INCLUDED!



LAVAPEN 3X



VERSION

- X (pressure 80 bar, heating up to 60°C)



CONTROL

- Electromechanical



NUMBER OF TANKS

- Single tank



AREAS OF APPLICATION

- Maintenance
- Mould washing
- Mechanical / Aviation industry
- Graphic industry and Paint factories
- Electronics / Chemicals industry
- Pharmaceutical industry

TECHNICAL FEATURES

- Hatch closure assisted with gas springs and fastening hook
- Black latex gloves 660 mm long
- Tank border gasket
- Structure and sheet metal in contact with liquid in Aisi 304 stainless steel
- Special washing nozzle with jet under pressure and non-slip grip
- Minimum level switch
- LED light to illuminate the inside of the washing area
- Pressure gauge for control of pressure delivered
- Safety limit switch on cover opening
- Pedal-controlled washing action
- Adjustable feet

- Closing hatch with hoses and tempered glass
- Compressed air blowing gun
- Manually adjustable washing pressure
- IP65 electrical system, electromechanical controls
- Heating of the liquid with stainless steel electric heating element
- Internal welding bleaching
- Intake and delivery pump hose (easy maintenance)
- Drain valves for emptying tanks
- Manual valve for surface liquid drain (whole oil)

LAVAPEN X

2X

3X

4X

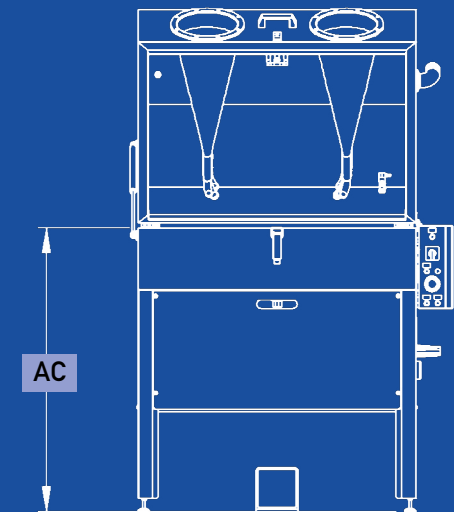
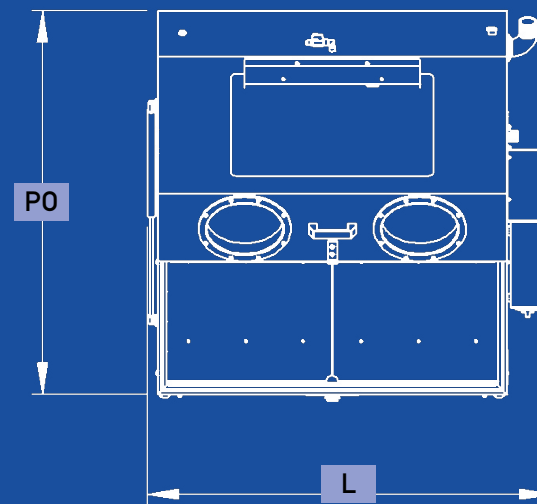
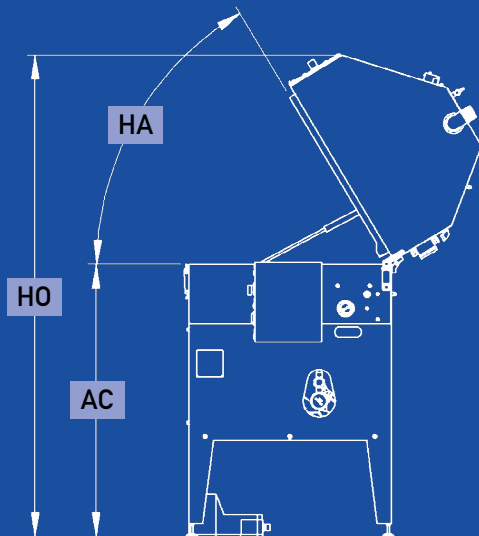
ACCESSORIES

- Stainless steel cartridge filter with pump (10/25/50 micron)
- Immersed magnet for separation of ferritic or grinding powder
- High pressure washing gun
- Heating start-up weekly programmer
- Heating with external resistances, not in contact with the liquid
- Machine equipped with wheels for handling
- Increased loading capacity to 150 kg

TECHNICAL DATA	LP 2X	LP 3X	LP 4X
Load capacity	70 kg	70 kg	70 kg
Tank 1 capacity	40 lt	75 lt	90 lt
Pump 1	1,5 kW 80 bar 12,5 lt/min	1,5 kW 80 bar 12,5 lt/min	1,5 kW 80 bar 12,5 lt/min
Heating tank 1	3 kW	3 kW	3 kW
Power supply	Single-phase	Single-phase	Single-phase

DIMENSIONS AND LAYOUT		LP 2X	LP 3X	LP 4X
L	width	95 cm	120 cm	145 cm
P	depth	66 cm	85 cm	95 cm
PO	depth with opened machine	98 cm	111 cm	120 cm
H	height	160 cm	160 cm	160 cm
HO	height with opened machine	170 cm	180 cm	190 cm
AL	washing area	70 x 55 cm	95 x 70 cm	120 x 80 cm
HL	washing height	45 cm	45 cm	45 cm
AC	loading height	100 cm	100 cm	100 cm
HA	opening angle	60°	60°	60°
W	weight	90 Kg	115 Kg	130 Kg
RU	noise LT	75 dBa	75 dBa	75 dBa

SUCCESSFUL WASHING



Our catalogue
LAVAPEN LINE



SCAN THE QR-CODE
download our catalogue LAVAPEN LINE

www.teknox.net



TEKNOX ITALY

ADDRESS

Via Mori, 6
40054 Prunaro di Budrio
Bologna - Italy

PHONE

+ 39 051 800862

FAX

+ 39 051 803769

EMAIL

info@teknox.net

THIS CATALOGUE REPLACES ANY PREVIOUS PUBLICATION.
THE DATA PROVIDED ARE INDICATIVE AND WE RESERVE THE RIGHT TO CHANGE THEM WITHOUT NOTICE.

Copyright © 2020 TEKNOX s.r.l.