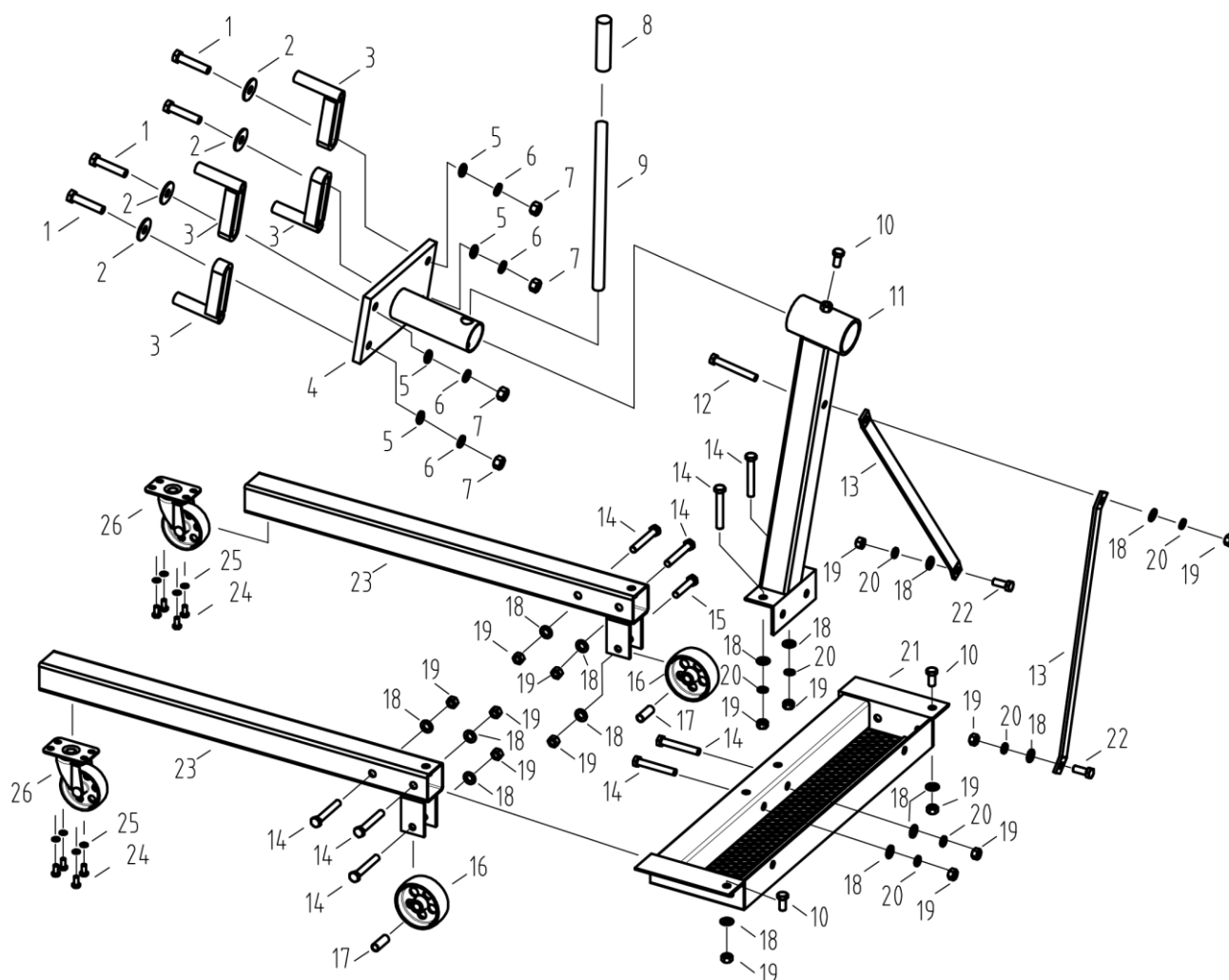


Product code: FG 745/CMF



REF.	CODE	DESCRIPTION	CONTENT	Q.TY/EACH TOOL
16	FG 745/CMF-1	Rear wheel without brake	4" wheel (1 pc)	2
17		Bushing	Bushing (1 pc)	
24	FG 745/CMF-2	Front wheel with brake	Bolt M8x25 (4 pcs)	2
25			Washer 8 (4 pcs)	
26			3-1/2" Swivel Locking Caster (1 pc)	
9	FG 745/CMF-3	Handle		1
4	FG 745/CMF-4	Turning plate, back		1
23	FG 745/CMF-5	Leg	Leg (1 pc)	2

REF.	CODE	DESCRIPTION	CONTENT	Q.TY/EACH TOOL
1	FG 745/CMF-6	Seal kit	Bolt M14x65 (4 pcs)	1
2			Washer 14 (4 pcs)	
5			Washer 14 (4 pcs)	
6			Washer 14 (4 pcs)	
7			Nut M14 (4 pcs)	
10			Bolt M12x25 (3 pcs)	
12			Bolt M12x85 (1 pc)	
14			Bolt M12x80 (8 pcs)	
15			Bolt M12x65 (2 pcs)	
18			Washer 12 (15 pcs)	
19			Nut 12 (15 pcs)	
20			Washer 12 (7 pcs)	
22			Bolt M12x30 (1 pcs)	
24			Bolt M8x25 (8 pcs)	
25			Washer 8 (8 pcs)	