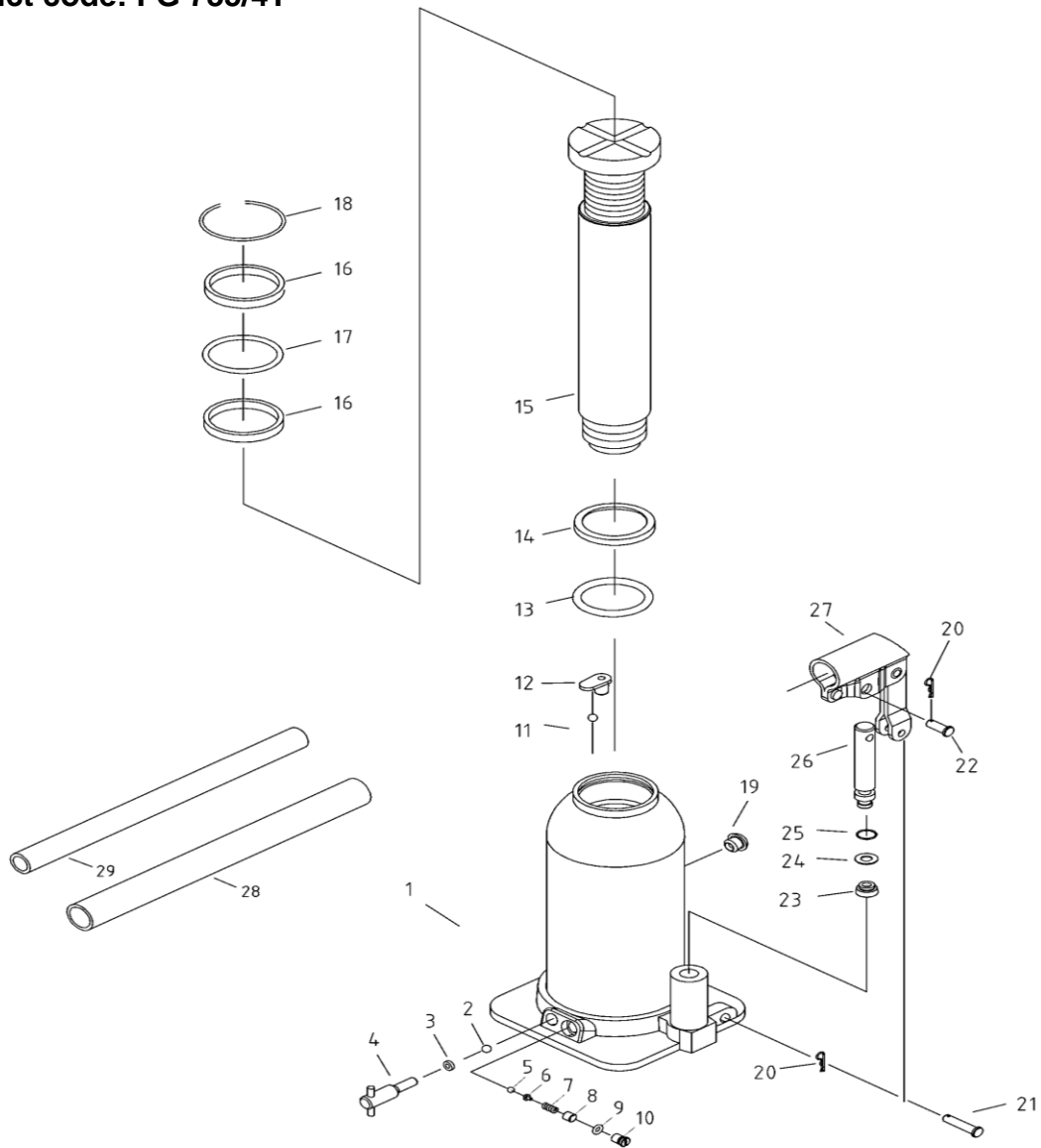


**Product code: FG 735/4T**



REF.	CODE	DESCRIPTION	Q.TY/EACH TOOL
1	FG 735/4T-1	Pump Ass'y	1
2	FG 735/4T-2	Steel Ball	1
3	FG 735/4T-3	O-ring	1
4	FG 735/4T-4	Release Valve Ass'y	1
5	FG 735/4T-5	Steel Ball	1
6	FG 735/4T-6	Ball Valve Seat	1
7	FG 735/4T-7	Safety Valve Spring	1
8	FG 735/4T-8	Screw	1
9	FG 735/4T-9	Seal Ring	1



Fasangas S.r.l. - Via Di Vittorio, 29/31 - 73010 Surbo (Lecce) – ITALIA - Tel.:+39.0832.362097/364265 - Fax: +39.0832.364453  
http: www.fasanotools.com - e-mail: info@fasanotools.com

**AZIENDA CERTIFICATA ISO 9001:2015**

REF.	CODE	DESCRIPTION	Q.TY/EACH TOOL
10	FG 735/4T-10	Screw	1
11	FG 735/4T-11	Spring	1
12	FG 735/4T-12	Steel Plate	1
13	FG 735/4T-13	O-ring	1
14	FG 735/4T-14	Washer	2
15	FG 735/4T-15	Piston rod	1
16	FG 735/4T-16	Securing Ring	2
17	FG 735/4T-17	O-ring	1
18	FG 735/4T-18	Snap Ring	1
19	FG 735/4T-19	Oil Plug	1
20	FG 735/4T-20	Pin	2
21	FG 735/4T-21	Link Pin	1
22	FG 735/4T-22	Pin Bolt	1
23	FG 735/4T-23	Y-ring	1
24	FG 735/4T-24	Nylon Gasket	1
25	FG 735/4T-25	O-ring	1
26	FG 735/4T-26	Pump Plunger	1
27	FG 735/4T-27	Handle Socket	1
28	FG 735/4T-28	Front Handle	1
29	FG 735/4T-29	Rear Handle	1