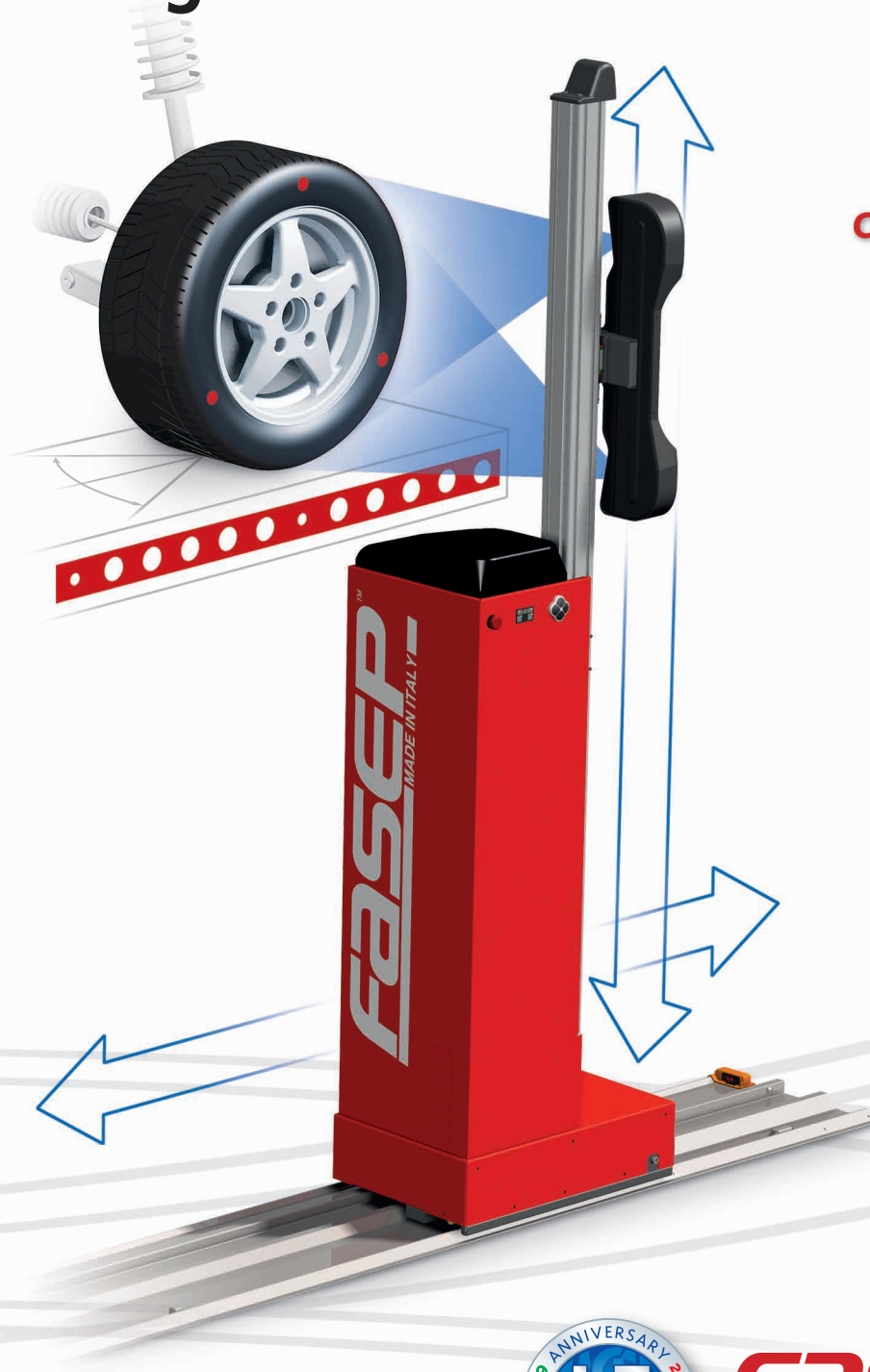


# NO CONTACT

WHEEL ALIGNERS

## The innovative Touchless (without contact) Measuring Robot.



**WIRELESS  
COMMUNICATIONS**



**FASEP  
CAMERA SYSTEM**



**WINDOWS 7  
COMPATIBLE**



Cod. VZ211.002 - Edizione n. 4 - Settembre 2018



**FASEP**   
MADE IN ITALY

SOMEONE YOU CAN TRUST

# NO CONTACT

CAMERA SYSTEM

Artificial Vision  
for 3-dimensional  
analysis  
of the vehicle



Automatic  
positioning  
cameras

**Precise  
measurements  
stable and  
repeatable.**



# NO CONTACT

**Automatic  
Positioning**

**Automatic  
search,  
measurement  
and  
adjustment.**

*Innovative TOUCHLESS system*



YouTube



# NO CONTACT

## Future is now!



NO CONTACT FOR LIFT  
WIRELESS VERSION

The new FASEP NO.CONTACT technology introduces important new features:

- No target on the wheels needed
- No need to move vehicle back and forth compensate measurements
- Accuracy of measurements comparable to infrared technology (much better then traditional 3D accuracy)
- Automatic positioning of cameras
- Automatic tracking when lifter is operated



**CAMERA SYSTEM**



**CONTROL SYSTEM**

# NO CONTACT

- Artificial Vision for 3-dimensional analysis of the vehicle
- Automatic reasearch, measurement and adjustment
- Automatically pursuit of the movement of the wheel
- Higher accuracy compared to target based 3D system
- Avoid errors in positioning of the clamps or rim's imperfections
- Precise measurements, stable and repeatable
- No more service calls for broken clamps or fallen sensors
- It can be used with any lifting system already exixting in your workshop
- Designed to improve your work and to give a new image to your company



NO CONTACT FOR PIT  
WIRELESS VERSION

## MAIN POSSIBLE MEASUREMENT

- Total toe
- Single toe
- Camber
- Caster
- Included angle
- Lock angle

**50%**  
faster than  
3D aligners

**20%**  
faster than  
Fasep contact  
clamps system

**2 available  
versions**

- 1. wi-fi based**  
with automatic  
battery recharge
- 2. by cable**  
power and data  
transmission by cable



**WINLOGIC:**  
simple and intuitive.

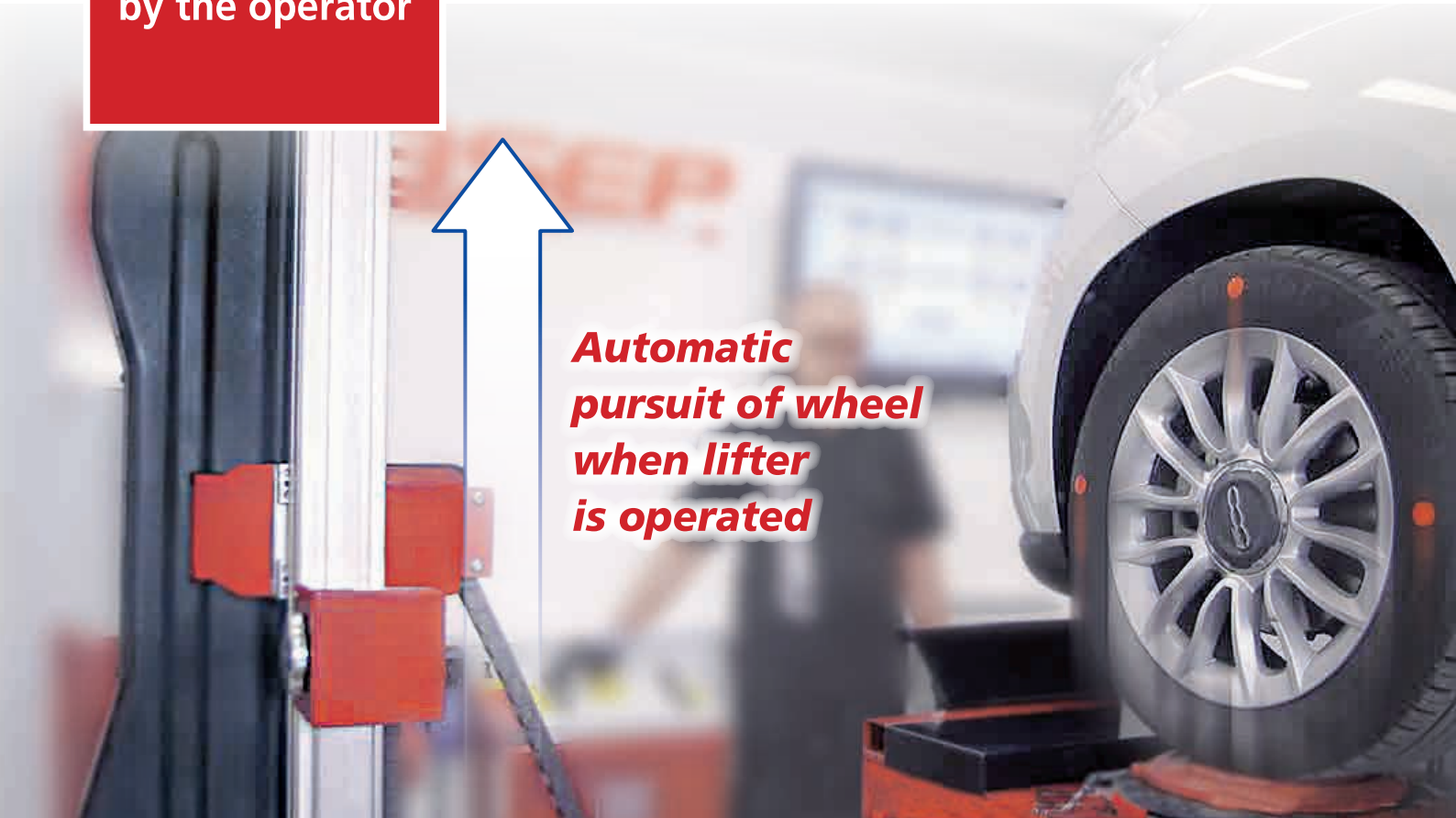


The user easily controls all functions, through Winlogic software interface, with the use of the graphics and icons, and using the wheel aligner is absolutely intuitive.

# NO CONTACT



**Minimum  
intervention  
by the operator**



***Automatic  
pursuit of wheel  
when lifter  
is operated***



# NO CONTACT



*Minimum  
side space  
required*

**85 CM**

**85 CM**

**Compatible  
with any  
lifting system**



*"it can  
operate  
at any  
height"*



YouTube

# NO CONTACT



POSSIBLE MEASUREMENTS	
• Total Toe	
• Single Toe RH and LH	
• Thrust angle (automatic compensation)	
• Camber	
• Caster	
• Direct Regulation of Caster	
• King Pin	
• Simultaneous adjustment Toe	
• Camber-Caster	
• Toe - out - on - turns <sup>(1)</sup>	
• Lock angle (Max)	
• Run-out (automatic compensation)	
• Included angle	

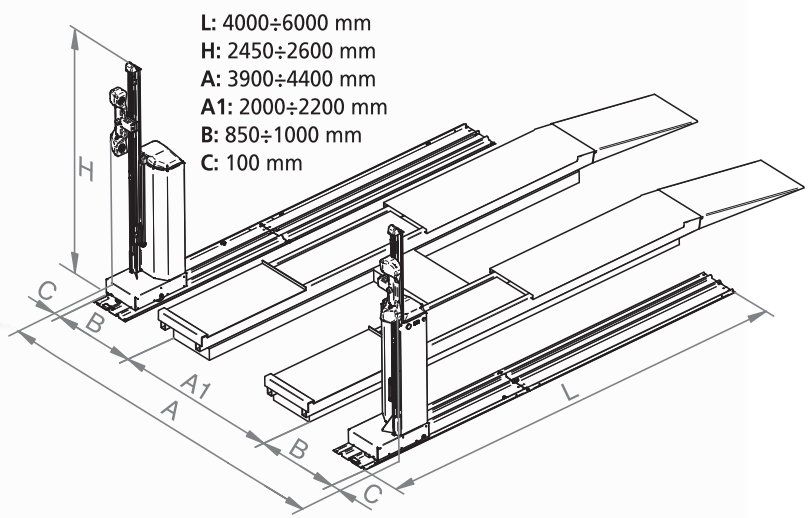
MAIN FUNCTIONS	
• Cars-Trucks data bank	
• Customers data bank	
• Zoom	
• Self calibration -Self diagnostic	
• Advanced diagnostics program	
• Pre-inspection report	
• Image Bank	
• Vital Sensor Information	

TECHNICAL FEATURES	
• Power supply	200-240V 50-60Hz
• Power Source	max 500 W
• Wheel diameter	10-30"
• Measuring Accuracy	0,01° - 0,3mm
• MEASURING RANGE	
• Total toe	±20°
• Single toe	±20°
• Camber	±20°
• Caster	±30°
• Included angle	±40°
• Lock angle <sup>(1)</sup>	±80°
• Personal computer	Intel Core i3
• Video	19,5" LCD
• External interface	USB+GIGA ETHERNET
• Max weight on turntable	Standard 750kg Heavy Duty 1000kg Electronics 3500kg
• Available languages	23

MAXI FUNCTIONS (FULL OPTION)	
• Image bank	
• Customer databank	
• Pre-inspection report	
• Print-out format selection	
• Resume function	
• Ride-height related specifications	
• Measure Suspension (Jack & Hold)	
• Toe-curve (generic)	
• Toe-curve (VAG)	
• Engine-cradle adjustment	
• Lifter compensation	
• Steering at 10 deg	
• Steering Wheel centering <sup>(1)</sup>	



(1) it requires Electronic Turntables



Authorized dealer



For further information about this and other products, please visit [www.fasep.it](http://www.fasep.it)



FASEP 2000 s.r.l.  
Via Faentina, 96 - 50032 Ronta (Firenze) ITALY  
Tel. +39 055 8403126 - Fax +39 055 8403354