

Application

- Repair and maintenance
- Body work

Approvals

- Opel
- Volkswagen Group



Masterlift 2.30 Sav 230

Electro-hydraulic twin-ram lift, 3 t capacity, superstructure with adjustable arms

Description:

Steel cassette:

- Waterproof steel cassette

Hydraulic unit:

- Hard-chrome plated cylinder
- Flexible synchronization and safety system
- Corrosion-free guiding elements
- Pump unit with immersed motor
- Ecological hydraulic fluid
- Pneumatic emergency lowering
- Programmable pushbutton control unit

Superstructure:

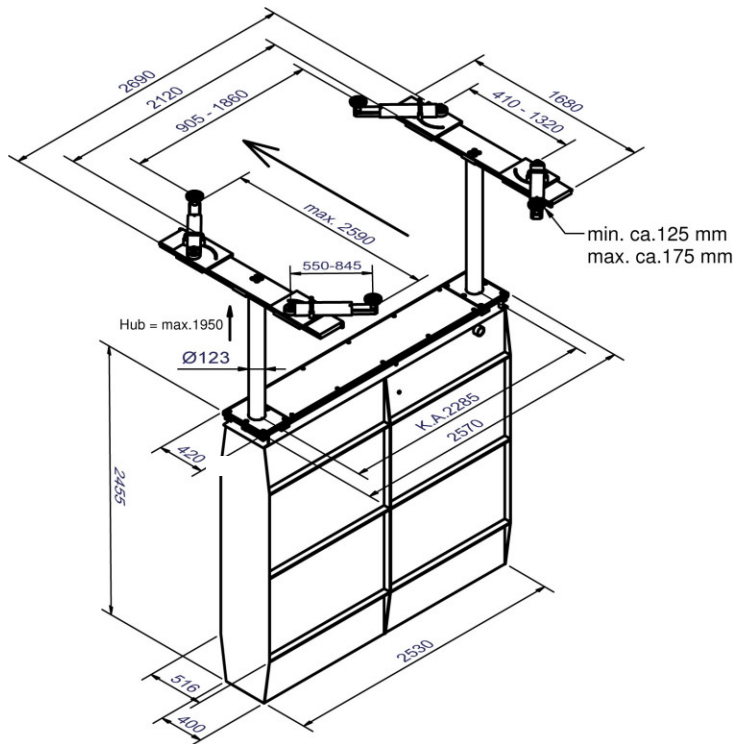
- Single telescopic arms
- Simple arm locking system
- Low minimum height

Standard colours

- Base plate: Grey RAL 7016
- Arms: Red RAL 3020

Technical data	
Lifting capacity	3,000 kg
Lifting height	1,950 mm
Working height	2,080 mm - 2.130 mm
Cylinder diameter	2 x 123 mm
Distance between cylinders	2,285 mm
Lifting / lowering time	app. 30 Sec.
Foundation depth	2,625 mm
Pump unit	3.0 kW
Ecological hydraulic fluid	10 l
Voltage	230/400 V - 50 Hz - 16 A

Arm superstructure	
Total width	2,690 mm
Lifting pad included in the delivery	11033 (125 - 175 mm)
Min. height	125 - 175 mm
Drive-through width	2,120 mm
Arm length, min. - max.	550 - 845 mm



autop Maschinenbau GmbH
Sandkampstraße 90
48432 Rheine | Germany
☎ +49 5971 8602-02
☎ +49 5971 8602-25
✉ info@autopstenhoj.com

STENHOJ A/S
Barrit Langgade 188-190
7150 Barrit | Denmark
☎ +45 76821-330
☎ +45 76821-331
✉ info@autopstenhoj.com

Versions:

Steel cassette:

- Zinc-coated
- Coated
- Self-carrying

Installation:

- Superstructure on floor
- Ceiling installation

Optional extras:

- Large program of extra pads

Special colours available on request!

