



INVEST IN THE FUTURE



French manufacturer  
since 1964

# Car Body Welding Systems

Catalogue Carrosserie

Catalogo Carrozzeria

Karosserie-Schweißtechnik Katalog

Catálogo de Soldadura para Carrocería

2  
0  
2  
0



- SPOTTER
- DENT PULLER
- MIG
- PLASMA
- INDUCTION
- LIFT
- RIVETING
- ACCESSORIES



GYS FRANCE  
Laval

🕒 1964  
👤 × 530

Created in 1964, GYS is a French industrial group with 700 employees around the world. Built around continuous investment in Research & Development and in the acquisition of knowledge, the company is now a major player in the design and manufacture of welding machines, battery chargers and car body repair equipment.

“ The market realities are constantly changing and the size of our family business requires us to quickly adapt to new contexts and new challenges.

We are convinced that our future is closely linked to the future of our partners. This is why we do everything in our power to understand what distributors and users expect from us and what challenges they face every day. To support them in facing these challenges, we wish to become and remain their privileged partner on the path we will travel together. ”

Bruno Bouygues,  
C.E.O.



Nicolas & Bruno Bouygues

## A worldwide coverage

125 countries



# INVEST IN THE FUTURE

FR

Créé en 1964, GYS est un groupe industriel français regroupant plus de 700 collaborateurs dans le monde. Fort d'un centre de recherche de premier plan, GYS est un acteur majeur dans la conception et la fabrication d'équipements de soudage, de chargeurs de batteries et de systèmes de réparation carrosserie.

Les nouvelles réalités du marché sont en perpétuel changement et la taille de notre entreprise familiale nous impose une adaptation rapide aux nouveaux contextes et à leurs enjeux.

Nous sommes convaincus que notre avenir est étroitement lié à celui de nos clients. Pour cela, nous mettons tout en œuvre pour comprendre ce que les distributeurs et les utilisateurs attendent de nous, savoir à quels défis ils font face et voir dans quelle mesure nous pouvons leur permettre de les relever afin de devenir et rester leur partenaire privilégié pour le chemin que nous avons à parcourir ensemble.

DE

GYS wurde 1964 gegründet und ist ein französisches Familienunternehmen mit mehr als 700 Mitarbeitern auf der ganzen Welt. Dank einem erstklassigen Forschungszentrum ist GYS ein wichtiger Akteur in der Entwicklung und Herstellung von Schweißgeräten, Batterieladegeräten und Karosseriereparatursystemen.

Neue Marktbedingungen sind in fortwährender Veränderung und die Größe unseres Familienunternehmens veranlasst eine rasche Anpassung an neue Umstände und an ihre Herausforderungen.

Wir sind überzeugt, dass unsere Zukunft eng mit der unserer Kunden verbunden ist. Dafür setzen wir all unser Können ein, um zu verstehen, was die Händler und Anwender von uns erwarten, welchen Herausforderungen sie gegenüberstehen und um zu schauen, in welchem Maße wir sie unterstützen können, damit wir ihr bevorzugter Partner werden und bleiben auf dem Weg, den wir gemeinsam beschreiten.

ES

Creado en 1964, GYS es un grupo industrial francés con más de 700 empleados en todo el mundo. Con un centro de investigación líder, GYS es un actor importante en el diseño y fabricación de equipos de soldadura, cargadores de baterías y sistemas de reparación de carrocerías.

Las nuevas realidades del mercado cambian constantemente y el tamaño de nuestra empresa familiar nos obliga a adaptarnos rápidamente a los nuevos contextos y a sus retos.

Estamos convencidos de que nuestro futuro está estrechamente ligado al de nuestros clientes. Para ello, hacemos todo lo que está en nuestras manos para comprender lo que los distribuidores y usuarios esperan de nosotros, los retos a los que se enfrentan y ver hasta qué punto podemos permitirles que los cumplan para convertirnos y seguir siendo su socio preferido en el camino que tenemos que recorrer juntos.

GYS GERMANY  
Aachen

🕒 2006  
👤 × 60

GYS U.K.  
Rugby

🕒 2008  
👤 × 30

GYS CHINA  
Shanghai

🕒 2004  
👤 × 110

GYS ITALIA  
Venezia

🕒 2015  
👤 × 10

740 people

55 000 m<sup>2</sup>  
590 000 sqf  
2 factories

## Partners





## GYS ACADEMY

Training centre dedicated to professionals

Centre de formation agréé

Trainingcenter für Profis

Centro di formazione dedicato ai professionisti

Ref. 52 53 0068153

## 3 catalogues

2400+ references



Welding & Cutting



Car body Welding Systems



Chargers, Boosters & Starters

### DENT PULLING

**NEW**  
GYSPOT  
p.6

Accessories, levelling bars & consumables  
p.13



Workstations  
p.18



Pulling systems  
p.30

Paintless repair  
p.36

### MOBILE PNEUMATIC LIFT

SPOT LIFT  
p.38

**NEW**  
AUTO ROLL & accessories  
p.38

**NEW**  
ERGO LIFT & accessories  
p.40

**NEW**  
TROLLEY IW1  
p.41

### SPOT WELDING

Overview  
p.42

#### Traditional

PORTASPOT  
p.44

GYSPOT 32D  
p.44

#### Inverter

GYSPOT 100R  
p.45

GYSPOT BP  
p.46

GYSPOT PTI  
p.49

#### Genius

GYSPOT BP-LG  
p.50

Arms & consumables  
p.51

### RIVETING

**NEW**  
GYSPRESS  
p.54

Accessories & consumables  
p.58

### MIG WELDING

GYSPRESS  
p.54

GYSPRESS  
p.54

AUTOPULSE  
p.66

Helmets, accessories & consumables  
p.68

### INDUCTION

GYSPRESS  
p.54

**NEW**  
POWERDUCTION  
p.76

### PLASMA

CUTTER & EASYCUT  
p.78

### + MORE

Windscreen repair p.80  
Bumper repair p.82  
Tools p.84  
Wheel repair p.89  
Working lights p.90  
Working supports p.92  
Safety protections p.94

### CHARGERS & BSU

**NEW**  
GYSPRESS  
p.54

Advanced R&D  
75



Metal work  
Tôlerie  
Blechbearbeitung



Painting & marking  
Peinture & marquage  
Lackierstraße



Electronics  
Électronique  
Elektronik



Mechanical  
Mécanique  
CNC-Bearbeitung



Transformers  
Transformateurs  
Transformatoren



Cable work  
Filerie  
Kabelkonfektionierung

Assembly  
Montage/tests  
Montage

100%  
in house  
production

www.gys.fr



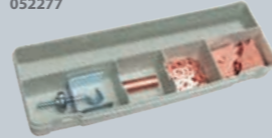
# DENT PULLING STEEL

**GYSPOT 2600**  
230V • 1~  
**2600 A**  
052208



**OPTIONS**

**SPOTTER BOX 2600**  
052277



**Chariot-trolley SPOT 600**  
053533

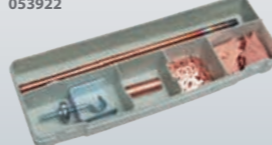


**GYSPOT 2700**  
230V • 1~  
**2600 A**  
055353



**OPTIONS**

**SPOTTER BOX 2700**  
053922



**Chariot-trolley SPOT 1000**  
053540



CARBON HEATING ELECTRODE  
049468



**GYSPOT 39.02**

230V • 1~  
**3800 A**

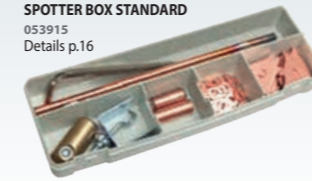
052215

**GYSPOT 39.04**

400V • 2~  
**3800 A**

052222

Included  
**SPOTTER BOX STANDARD**  
053915  
Details p.16



**GYSPOT PRO 230**

230V • 1~  
**3800 A** **2 GUNS**

052178

**GYSPOT PRO 400**

400V • 2~  
**3800 A** **2 GUNS**

052185

**OPTIONS**

**UNIVERSAL 800**  
051331



SYNERGIC CONTROL PATENTS REGISTERED NUMBERS EUROPEAN TRADEMARK & DESIGN



**QUICK GUN**

**QUICK & EASY**

Gyspot 2600/2700  
Gyspot 39.02/04  
Gyspot PRO 230/400  
Gyspot EXPERT 200/400  
Gyspot COMBI 230 E.PRO



Country	MADE IN GYS CHINA	CE MARK 62135	50/60 Hz	I <sub>2</sub> max A	U <sub>2</sub> V	I <sub>RMS</sub> A	kW	MANUAL	SYNERGIC	AUTOMATIC	MANUAL	SEPARATE CABLE GUN	1.8m	2m	4m	8m	Option Spotter box	cm	kg
FR	FR	FR	50/60 Hz	A	V	A	kW	OK	—	—	—	—	1,8m	2m	4m	8m	Option Spotter box 2600	20 x 32 x 18	15
FR	FR	FR	50/60 Hz	A	V	A	kW	OK	—	—	—	—	1,8m	2m	4m	8m	Option Spotter box 2700	20 x 32 x 18	14.5
FR	FR	FR	50/60 Hz	A	V	A	kW	OK	OK	—	—	—	2m	4m	8m	—	Included Spotter box	22,5 x 36 x 23,5	22
FR	FR	FR	50/60 Hz	A	V	A	kW	OK	OK	—	—	—	2m	4m	8m	—	Included Spotter box	22,5 x 36 x 23,5	20
FR	FR	FR	50/60 Hz	A	V	A	kW	OK	OK	—	—	—	2m	4m	8m	—	Included Spotter box Pro	22,5 x 36 x 23,5	20.5
FR	FR	FR	50/60 Hz	A	V	A	kW	OK	OK	—	—	—	2m	4m	8m	—	Included Spotter box Pro	22,5 x 36 x 23,5	20.5

# DENT PULLING STEEL/ALU



**GYSPT EXPERT 200**  
200-240V • 1~ Acier / Steel / Stahl  
4350 > 5100 A **2 GUNS**

**GYSPT EXPERT 400**  
400V • 2~ Acier / Steel / Stahl  
4500 A **2 GUNS**



**INCLUDED SPOTTER BOX PRO**  
050075  
Details p.17

**Included MANUAL QUICK GUN (2 m / Ø 70 mm²)**  
057524



**Included AUTOMATIC QUICK GUN (3 m / Ø 70 mm²)**  
059207



SYNERGIC & MANUAL CONTROL

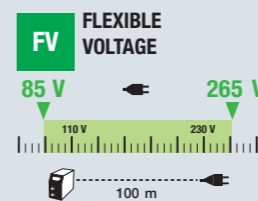


⌚ Welding time adjustment  
📶 Welding current adjustment

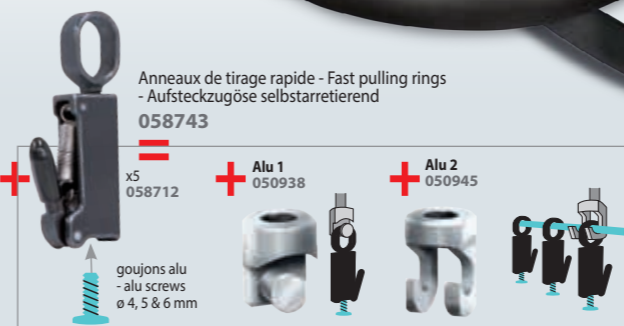
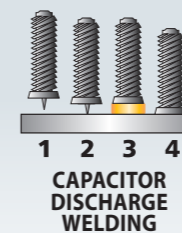
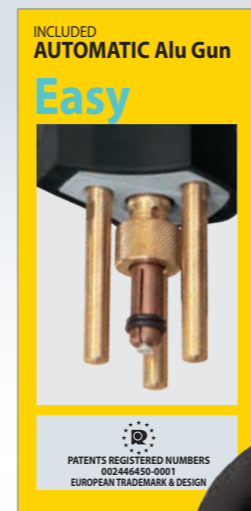
**GYSPT ALU PRO FV**  
100 < 230V • 1~

**7500 A** **Alu** **FV**

021990



SYNERGIC CONTROL PATENTS REGISTERED NUMBERS EUROPEAN TRADEMARK & DESIGN



**ALU OPTIONS**



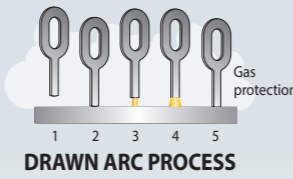
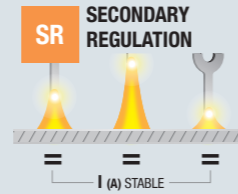
**QUICK GUN**

**QUICK & EASY**  
Gyspot 2600/2700  
Gyspot 39.02/04  
Gyspot PRO 230/400  
Gyspot EXPERT 200/400  
Gyspot COMBI 230 E.PRO



MADE IN FRANCE 62135	50/60 Hz	I <sub>2</sub> max A	U <sub>2</sub> V	I <sub>AM</sub> A	I <sub>RMS</sub> A	kW	MANUAL	SYNERGIC	SEPARATE CABLE GUN	2m + 3m	Auto	8m	Included Spotter box (with studs)	cm	kg
<b>GYSPT EXPERT 200</b>	200 > 240V	4350 > 5100	7,2 > 8,7	30(D)	3100 > 3600	25 > 36	OK	OK	2m + 3m	Auto	8m	Included Spotter box (with studs)	22,5 x 36 x 23,5	33	
<b>GYSPT EXPERT 400</b>	400V, 2ph	4500	7,4	16(D)	3200	25	OK	OK	2m + 3m	Auto	8m	22,5 x 36 x 23,5	28		
<b>GYSPT ALU PRO FV</b>	110 > 230V	7500	50 > 200	5	—	0.65	OK	OK	3m	Auto	2m	Included Alu box	21 x 24 x 36	12.5	

# DRAWN ARC DENT PULLING STEEL+ALU



**SYNERGIC**

Synergic Gaz 20N  
Screw Alu 1.5

↖ +1 | ↗ 2.0

**+ MANUAL**

Manual

t<sub>ms</sub> | I<sub>A</sub>

480 | 350

**+ EXPERT CONTROL**

7 languages  
FR, EN, DE, SP, IT, NL & RU

GYSPOT ARC PULL 200

100 < 230V • 1 ~

Acier / Steel / Stahl | **Alu**

**200 A**

Car icon | **FV** | **SR** | **AD**



GYSPOT ARC PULL 350

208 < 240V • 1 ~

Acier / Steel / Stahl | **Alu**

**350 A**

Car icon | **PFC** | **SR** | **AD**



**NEW**

Consumables for Gun

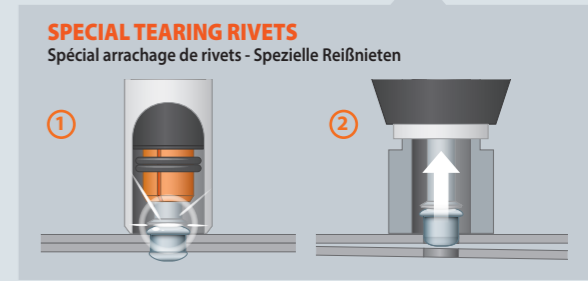


**+ INCLUDED Lifting rod 180 mm**

**+ INCLUDED ALU RING BOX 1.5 mm (AlSpec + AlMg<sub>3</sub> + AlMgSi)**

059429  
Details p.17

PACKS	Arc Pull 350	Rivet box 064584 (détail p.60)	Alu ring box 1.5 mm 059429 (détail p.17)	059610	Lifting rods 050792
<b>ARC PULL 350 RIVET</b> 064645	■	■	—	—	—
<b>ARC PULL 350 PULLER</b> 064652	■	—	■	x1	180, 300, 500 mm
<b>ARC PULL 350 RIVET + PULLER</b> 064669	■	■	■	x1	180, 300, 500 mm



OPTIONS

Alu Stud 059436 Details p.17	ACIER/STEEL Stud 059443 Details p.16	Alu Ring 1.0 mm 059412 Details p.17	20L/min (FR) 041998 (UK) 040274 (NL) 040267 (IT) 038691	30L/min (FR) 041622 (UK) 041646 (DE) 041219 (NL) 041615 (IT) 038707	SPOT 1600 051348	4m <sup>3</sup> gas bottle support 059665	DENTSTATION 056848
Marteaux ALU - Alu hammers 020986	Alu Puller 051003	Patings (x2) - Pads (x2) 060807	CROCO T400.70 043787	WELD 810 037489			

MADE IN FRANCE 60974-1	50/60 Hz	I <sub>2</sub> A	SYNERGIC	TECHNOLOGY		TECHNOLOGY		U <sub>2</sub> V	I <sub>AM</sub> A	kW	Car icon	Truck icon	cm	kg
				Acier/Steel	Alu	Power Factor Correction	Flexible Voltage							
<b>GYSPOT ARC PULL 200</b>	110 · 230V	10 · 100 (110V) 10 · 200 (230V)	■	Manual + Digital Gun Motion Control	—	■	20.4 · 24V (110V) 20.4 · 28V (230V)	16	2.4 (110V) 5.6 (230V)	OK	OK	20.5 x 25 x 33	8.6	
<b>GYSPOT ARC PULL 350</b> <b>NEW</b>	208 · 240V	10 · 350	■	Manual + Digital Gun Motion Control	■	—	20.4 · 34V	16	11.9	OK	OK	30 x 24.5 x 22	11.3	

# DENT PULLING STEEL+ALU

**GYSPOT COMBI 230 E.PRO**

230V • 1~ Acier / Steel / Stahl **+** Alu

**3800 A** **7500 A**

021266

**INCLUDED**  
SPOTTER BOX PRO 050075  
+ ALU BOX STANDARD 050020  
Details 14-15

**QUICK GUN**

**QUICK & EASY**

8m

3m Ø50mm<sup>2</sup>

2m Ø70mm<sup>2</sup>

INCLUDED QUICK AUTOMATIC GUN 057500

Acier/Steel/Stahl Automatic

INCLUDED MANUAL QUICK GUN 057524

Acier/Steel/Stahl Manual

INCLUDED AUTOMATIC ALU GUN 054066

3m Ø25mm<sup>2</sup>

Alu Automatic

**3 GUNS INCLUDED**

**EASY TOOL CONNECTION**

3m Ø35mm<sup>2</sup>

051690

for Gyspot 39.02/04, PRO 230/400, EXPERT 200/400, COMBI 230 PRO

051584 380 g

Anneaux - Rings - Anschweißösen 051652

Fils ondulés - Wavy wires - Wellendraht 051669

Réteinte - Tempering - Glättwerkzeug 051676

EASYGUN 051317

Box of 3 electrodes for accessories 050822

Poignée de tirage manuel 057289

**MANUSPOT 050679**

**MANULINER 050471**

Tools set & support for SPOT 600, 800, 1000, 1600, Workstation & Dentstation

3m Ø35mm<sup>2</sup>

EASYGUN 051317

**MANULINER/GUN 056831**

Adaptateur pistolet - Gun adapter included 052499

4 positions - 4 Positionen

Patins (x2) - Pads (x2) 060807

Direct impact electrodes (x5) 050839

PATENTS REGISTERED NUMBERS 001652108-0003 EUROPEAN TRADEMARK & DESIGN

**RINGMATIC 052154**

included (x 50)

Option Adaptateur pistolet - Gun adapter 052499

**LAMPE LIGNE DROITE - Straight line lamp - Dentline-laser**

056770

**QUICK SPOT AIR GUN V2**

057340

**LIGHT 920 g**

2,5 m

Adaptateur pistolet - Gun adapter 052826

**AIR**

Pneumatic

SPOT ROTATE

<p>MADE IN FRANCE 62135</p>	<p>CE NORM. 62135</p>	<p>50/60 Hz</p>	<p>I<sub>2</sub></p> <p>A</p>	<p>SYNER-GIC</p>		<p>SEPARATE CABLE GUN</p>	<p>U<sub>2</sub></p> <p>V</p>	<p>I<sub>AM</sub></p> <p>A</p>	<p>RMS</p> <p>A</p>	<p>kW</p>			<p>cm</p>	<p>kg</p>



MARTEAUX INERTIE - Slide hammers - Ausbeulhammer

COMPLETE 057272



1,1 kg 049802. included (x1) 049482. included (x20) 052239. Options (x1) 054028 (x5) 050839.

Clous - Nails - Nägel



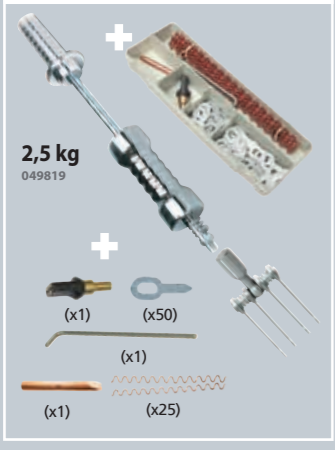
1,1 kg 041813. Ø 2, M4 (x1) 049277. Ø 2 (x100) 041561. MIG/MAG nozzle for Nail welding 041523.

Rondelles - Washers - Ringe



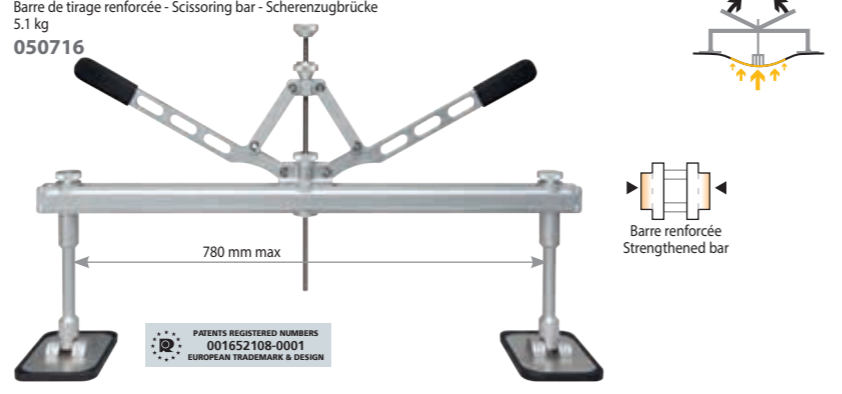
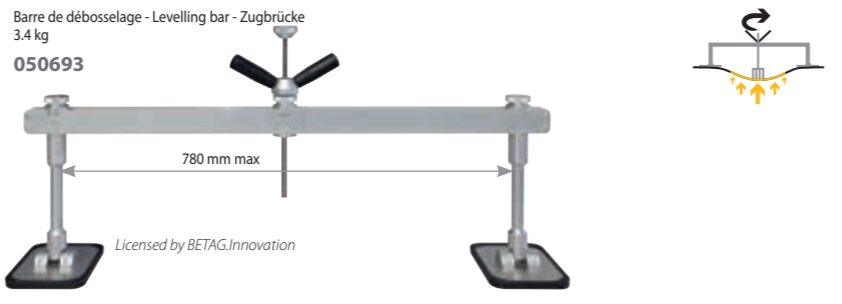
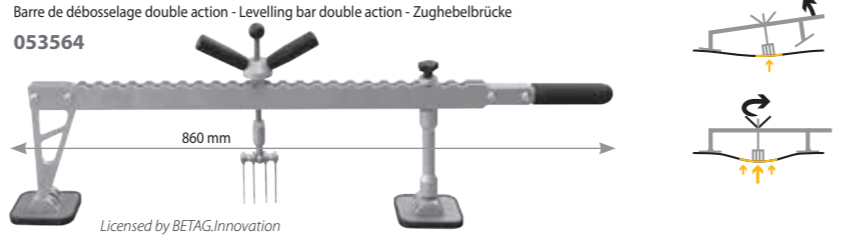
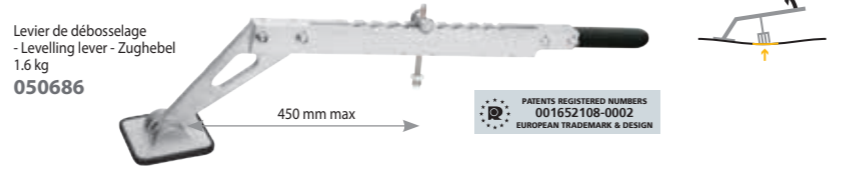
1,7 kg 051201. Ø 16, 8x16 (x1) 049574. (x1) 051218. 8x16 (x100) 049444.

COMPLETE KIT 051225

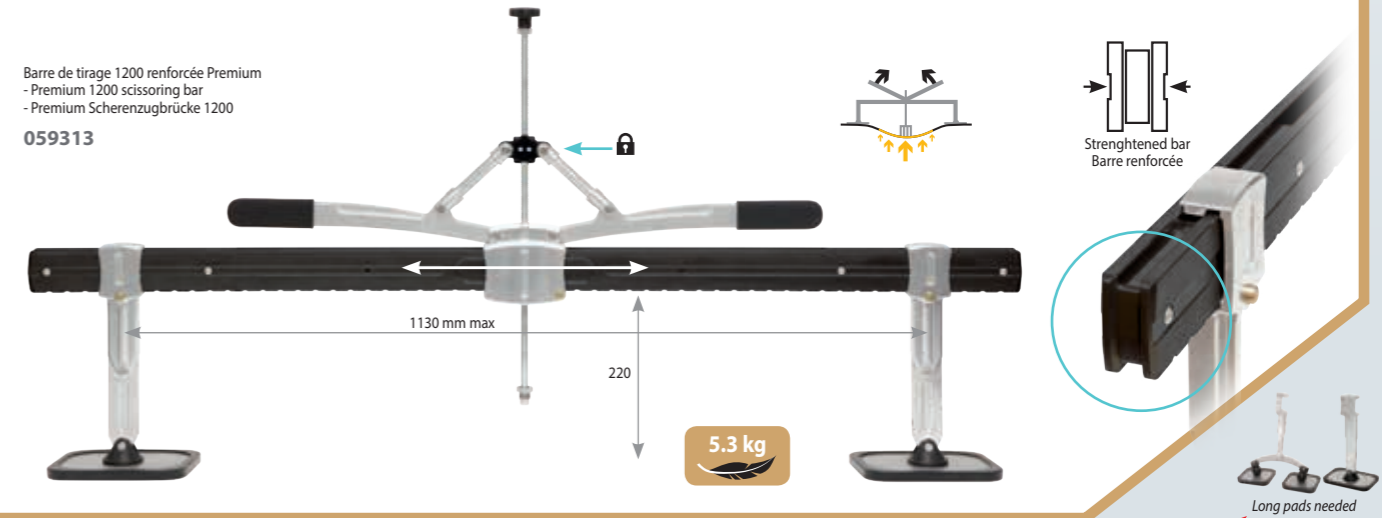
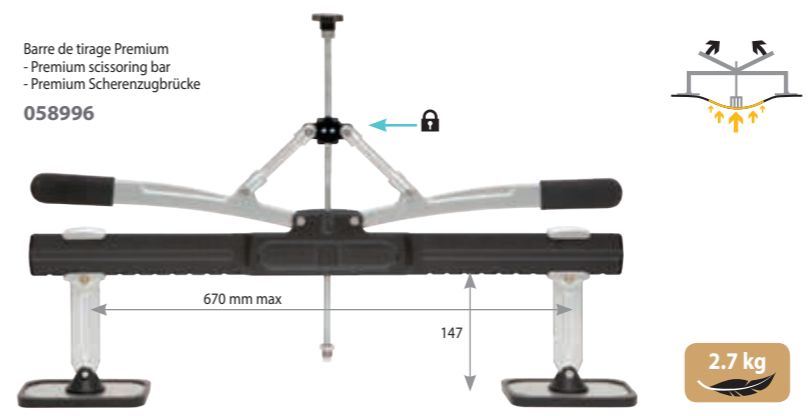
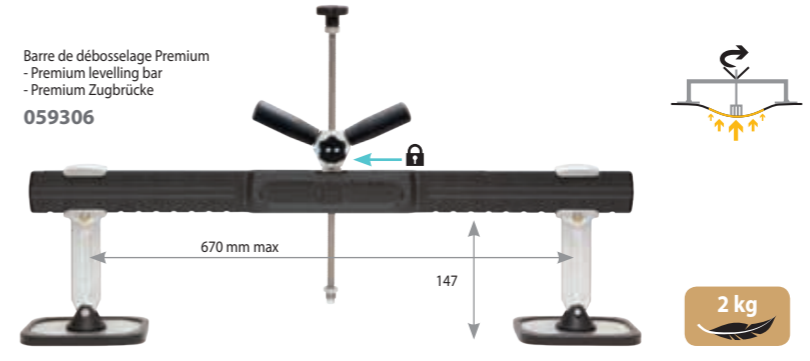
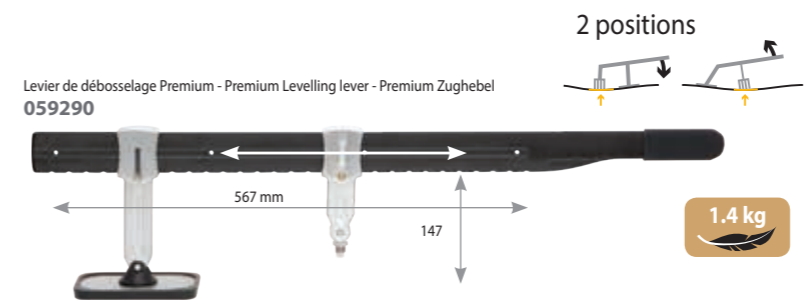


6 kg 051928. Kit marteau à inertie - Inertia hammer kit - Ausbeulhammer set.

BASIC



PREMIUM



ULTRA LIGHT

ULTRA ERGONOMIC

ULTRA RESISTANT No deformation

PERFECT BALANCE

Slide & Lock

Full rotation

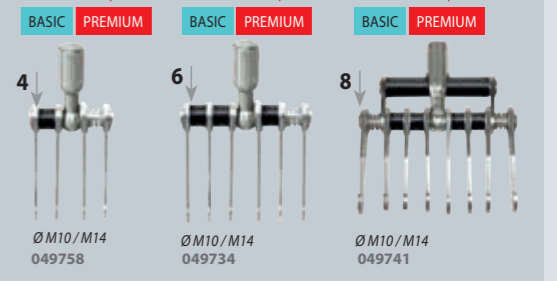
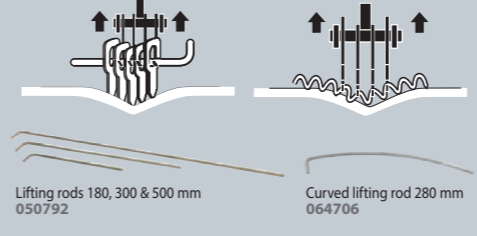
GRIP

Multi positions

Options



Griffes - Gripping hook head - Ausbeulhaken











**Acier/Steel/Stahl**

**EASYLINER**  
39.02 (230 V)  
053618



GYSPT 39.02

+ Trolley SPOT 1000 053540



Dent box easy 053632 (p.17)

+ Levelling bar double action 053564 (p.14)

0,86 m

ALL IN 1 BOX

**Acier/Steel/Stahl**

**PROLINER**

<b>39.02 (230 V)</b> 035775	<b>39.04 (400 V)</b> 035782	<b>PRO 230 (230 V)</b> 035799	<b>PRO 400 (400 V)</b> 035805
--------------------------------	--------------------------------	----------------------------------	----------------------------------



GYSPT 39.02



GYSPT 39.04



GYSPT PRO 230



GYSPT PRO 400

+ Trolley UNIVERSAL 800 051331



+ Cable support 052284



+ Levelling bar double action 053564 (p.14)

0,86 m

+ Dent box bar 050037 (p.16)




**Spot 600**  
053533

**Universal 800**  
051331



**Spot 1000**  
053540



**Spot 1600**  
051348



**Dentstation PRO**  
056848



**OPTIONS**



Manuliner 050471



Ringmatic 052154

for PROLINER :



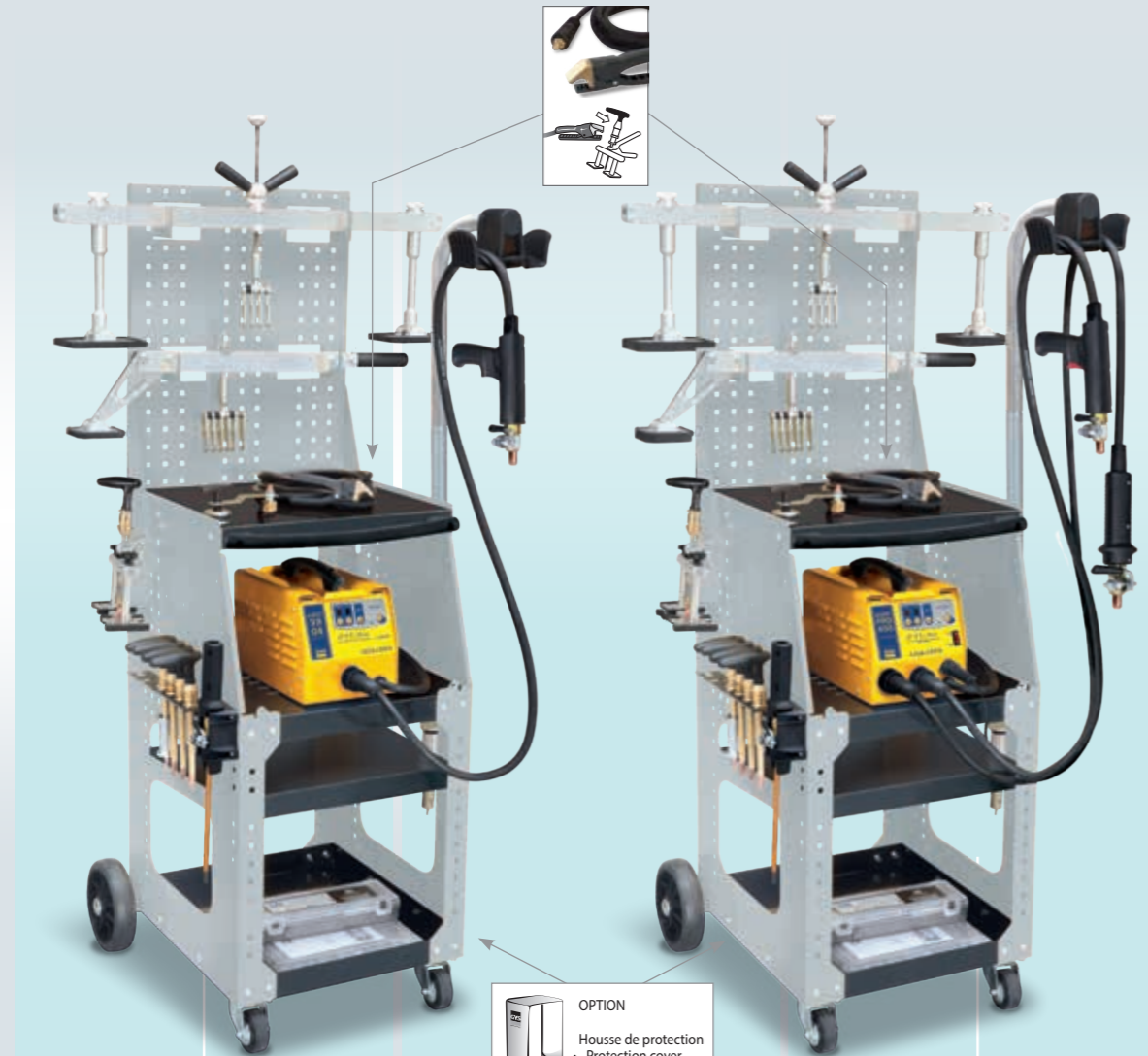
Housse de protection - Protection cover - Schutzhaube 062733



QUICK SPOT AIR GUN 057340



Acier/Steel/Stahl					
SPEEDLINER					
39.02 (230 V)	39.04 (400 V)	PRO 230 (230 V)	PRO 400 (400 V)	EXPERT 200 (200-240 V)	EXPERT 400 (400 V)
035010	035027	036017	036024	028180	028197



OPTION  
Housse de protection  
- Protection cover  
- Schutzhaube  
048881



GYSLOT 39.02   GYSLOT 39.04   GYSLOT PRO 230   GYSLOT PRO 400   GYSLOT EXPERT 200   GYSLOT EXPERT 400



Ringmatic not included   Ringmatic not included

	Trolley SPOT 1600 051348
	Manuspot 050679 ( p.13)
	Ringmatic (p.13) - only with PRO 230, 400 / EXPERT 200, 400 052154
	Levelling bar 050693 (p.14)
	Levelling lever 050686 (p.14)
	052451 (p.14)
	4 gripping multihook head 049758 (p.15)
	6 gripping multihook head 049734 (p.15)
	3 lifting rods 050792 (p.16)
	Dent box consumables 051515 (p.17)
	Magnetic earth 049666 (p.16)

	Trolley SPOT 1600 051348
	Manuspot 050679 ( p.13)
	Ringmatic (p.13) 052154
	Levelling bar 050693 (p.14)
	Levelling lever 050686 (p.14)
	052451 (p.14)
	4 gripping multihook head 049758 (p.15)
	6 gripping multihook head 049734 (p.15)
	3 lifting rods 050792 (p.16)
	Dent box consumables 051515 (p.17)
	Magnetic earth 049666 (p.16)

**+**

Alu puller 051003 (p.24)   Cable support 052284

Acier/Steel/Stahl	+ Alu	
SPEEDLINER		
COMBI 230 E PRO	EXPERT 200 + ARCPULL 200	EXPERT 400 + ARCPULL 200
036062	028227	028241



Included for ARCPULL 200  
Gas bottle support 059665



GYSLOT COMBI 230 E PRO   GYSLOT EXPERT 200   GYSLOT ARC PULL 200   GYSLOT EXPERT 400   GYSLOT ARC PULL 200



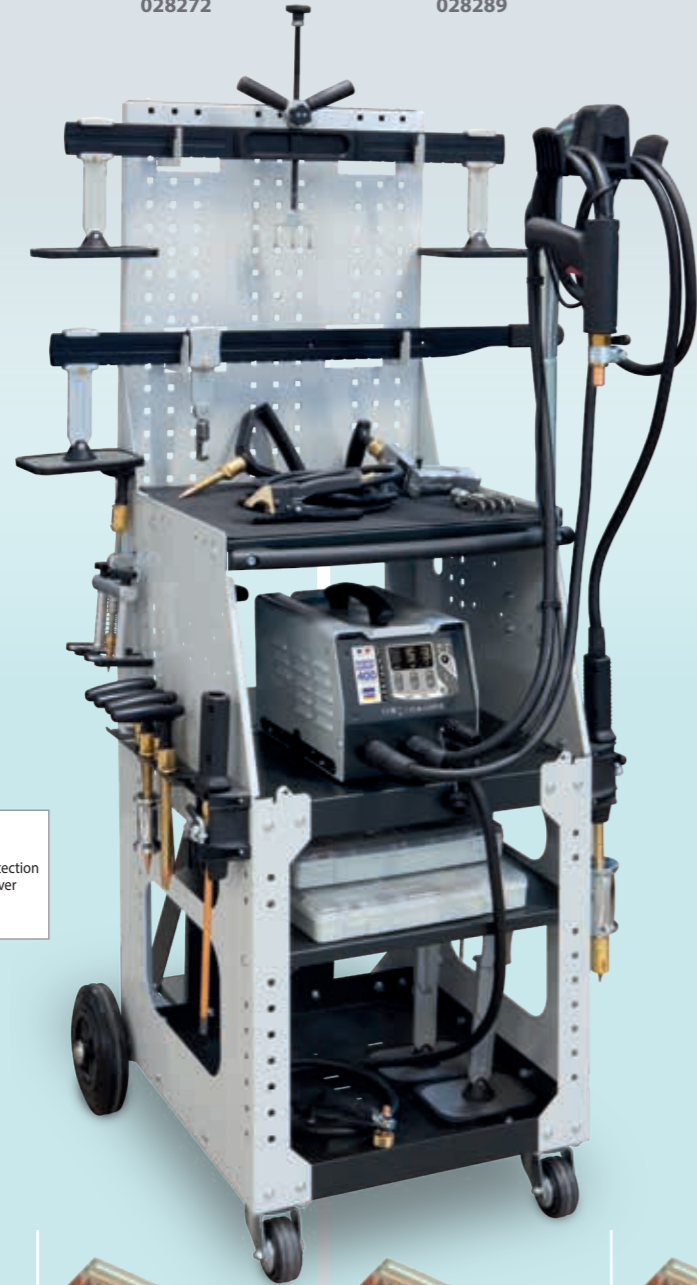
Housse de protection  
- Protection cover  
- Schutzhaube  
048881

SPEEDLINER (without generator) 035058



**Acier/Steel/Stahl**  
**SPEEDLINER PREMIUM**

<b>PRO 230</b> (230V) 028265	<b>PRO 400</b> (400V) 028272	<b>EXPERT 200</b> (200-240V) 028289	<b>EXPERT 400</b> (400V) 028302
---------------------------------	---------------------------------	--	------------------------------------



OPTION  
Housse de protection  
- Protection cover  
- Schutzhaube  
048881

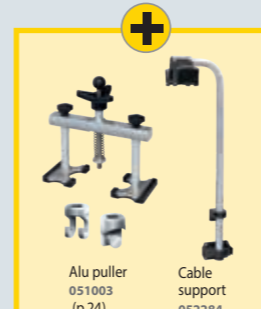
- Trolley SPOT 1600 051348
- Manuspot 050679 ( p.13)
- Ringmatic 052154 (p.13)
- Manual pulling handle 057289 ( p.13)
- Premium levelling lever 059290 (p.15)
- Premium levelling bar 059306 (p.15)
- 220 mm pads 061293 (p.15)
- 059658 (p.15) 059382 (p.15)
- 4 gripping multihook head 049758 (p.15)
- 3 lifting rods 050792 (p.16)
- Dent box consumables 051515 (p.17)
- Magnetic earth 049666 (p.16)



GYSPOT PRO 230    GYSPOT PRO 400    GYSPOT EXPERT 200    GYSPOT EXPERT 400



- Trolley SPOT 1600 051348
- Manuspot 050679 ( p.13)
- Ringmatic 052154 (p.13)
- Manual pulling handle 057289 ( p.13)
- Premium levelling lever 059290 (p.15)
- Premium levelling bar 059306 (p.15)
- 220 mm pads 061293 (p.15)
- 059658 (p.15) 059382 (p.15)
- 4 gripping multihook head 049758 (p.15)
- 3 lifting rods 050792 (p.16)
- Dent box consumables 051515 (p.17)
- Magnetic earth 049666 (p.16)



Alu puller 051003 (p.24)    Cable support 052284

**Acier/Steel/Stahl** + **Alu**  
**SPEEDLINER PREMIUM**

<b>COMBI 230 E PRO</b> 028319	<b>EXPERT 200 + ARCPULL 200</b> 028326	<b>EXPERT 400 + ARCPULL 200</b> 028333
----------------------------------	---	---



Included for Alu screws  
Fast pulling rings (x5) p.24 058712

Included for ARCPULL 200  
Gas bottle support 059665



GYSPOT COMBI 230 E PRO    GYSPOT EXPERT 200    GYSPOT ARC PULL 200    GYSPOT EXPERT 400



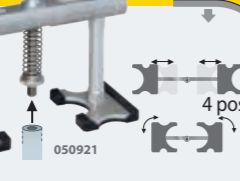
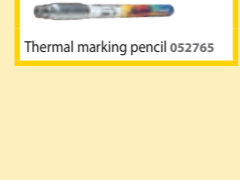
Housse de protection  
- Protection cover  
- Schutzhaube  
048881

**Alu**  
**PROLINER**  
**ALU PRO FV**  
035836



Housse de protection  
- Protection cover  
- Schutzhaube  
062733

**Alu**  
**SPEEDLINER**  
**ALU PRO FV**  
036055



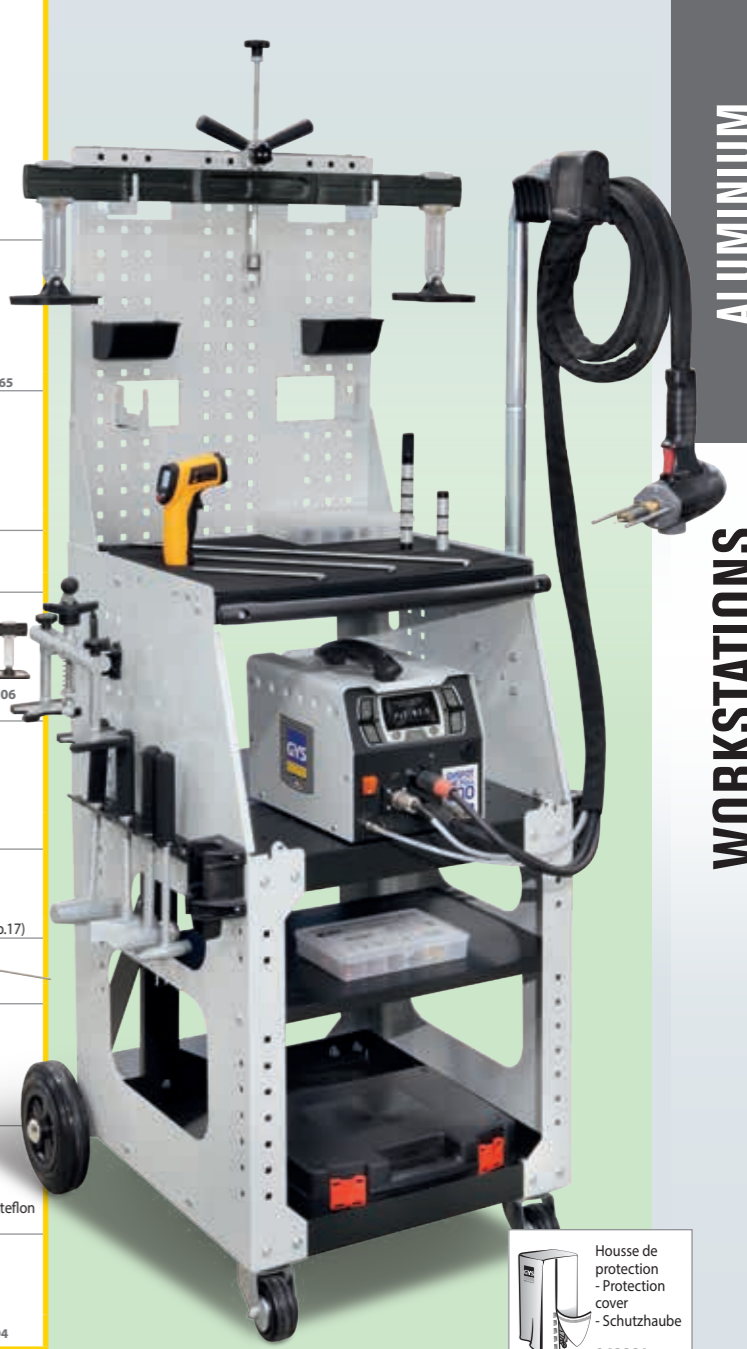
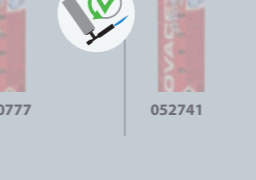
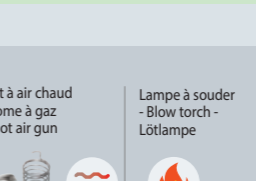
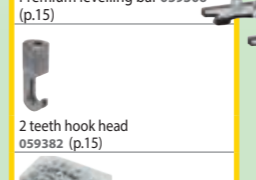
Thermal marking pencil 052765

**Alu**  
**PROLINER**  
**ARC PULL 200**  
028340



Housse de protection  
- Protection cover  
- Schutzhaube  
062733

**Alu**  
**SPEEDLINER PREMIUM**  
**ARC PULL 200**  
036871



Infrared Thermometer 052994

Housse de protection  
- Protection cover  
- Schutzhaube  
048881

**MARTEAUX ALU**  
- Alu hammers  
020986

ALU

**ALU PULLER**  
051003

4 positions

Alu 1 050938

Alu 2 050945

Patins (x2)  
- Pads (x2)  
060807

**ANNEAUX DE TIRAGE RAPIDE**  
- Fast pulling rings - Aufsteckzugöse selbstarretierend  
058743

x5 058712

goujons alu  
- alu screws  
ø 4, 5 & 6 mm

Alu 1 050938

Alu 2 050945

**ASPIRATEUR PNEUMATIQUE POUR**  
**POUSSIERES ALUMINIUM (ATEX)**  
- Pneumatic alu dust atex vacuum cleaner

058866

Capacity: 25 l  
Working air pressure: 6 bar  
Air consumption at 6 bar: 800 l/min  
Suction connection: 50 mm  
Max suction capacity: 150 m³/h  
Max vacuum level: 2000 mm H<sub>2</sub>O  
Recommended compressor power: 7.5 HP  
-J: 74 x 45 x 45 mm  
▲ 18 kg

included  
- Filter  
058873

included  
- Sac - Bag  
5 kg  
058880

5 m  
Output Ø 29 mm  
Input Ø 35 mm

Marteau à inertie  
- Inertia hammer  
- Ausziehhammer  
380 g  
050051

Pistolet à air chaud autonome à gaz  
- Gas hot air gun  
060777

Lampe à souder  
- Blow torch  
- Lötlampe  
052741

Novacet + (Butane/propane/propylene)  
380ml/220g  
HIGH QUALITY

040441

Brosses - Brushes  
- Bürsten  
- Brossen  
- Cepillos  
044258

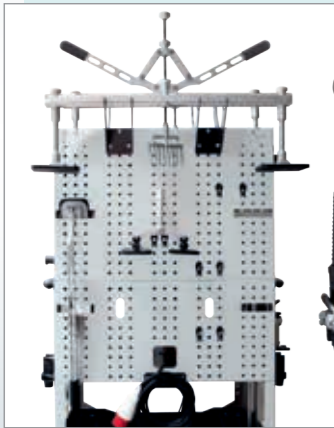
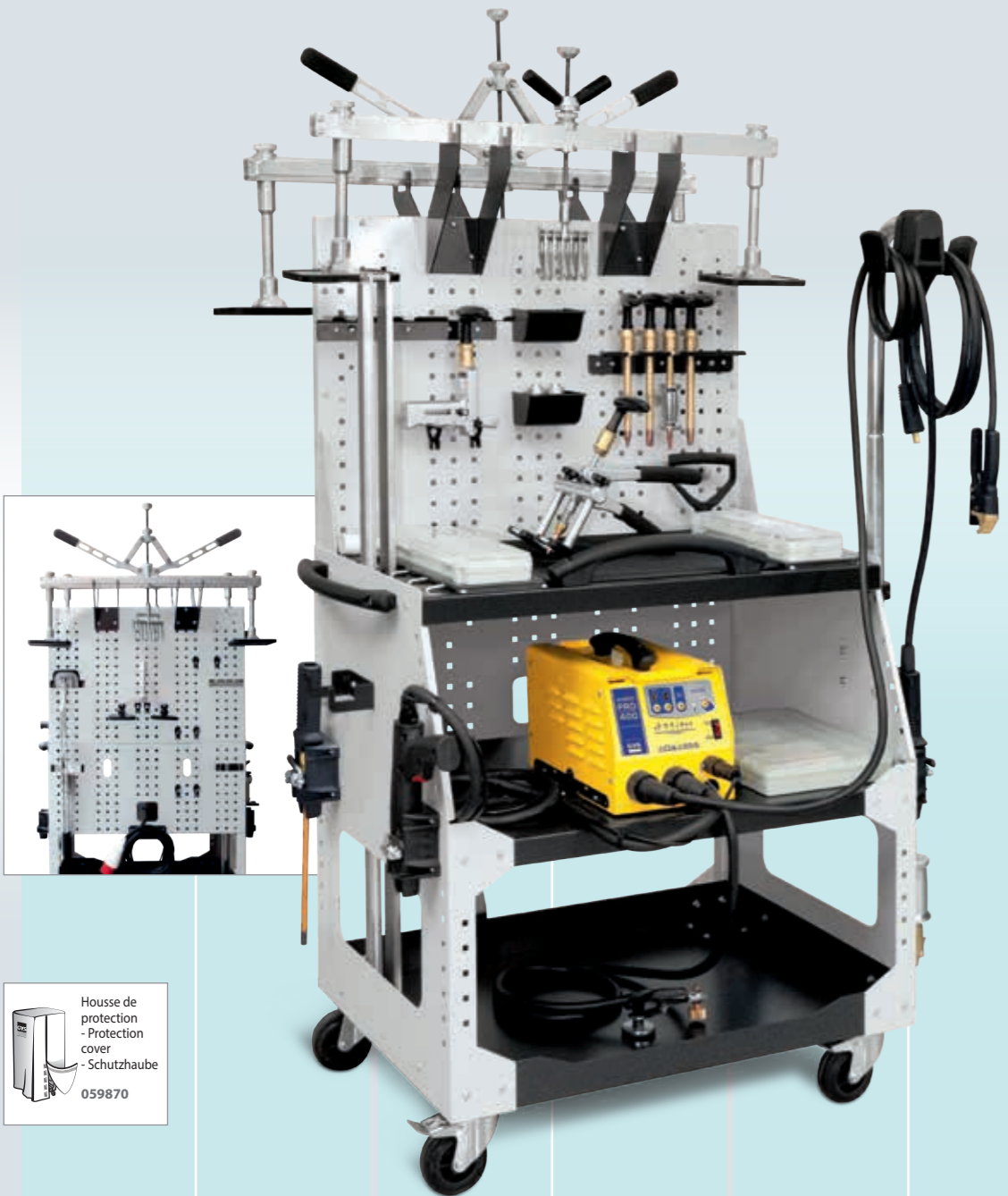
Crayon marqueur thermique  
- Thermal marking pencil  
052765

Thermomètre infrarouge  
- Infrared Thermometer  
052994

Spray refroidisseur  
- Freezer spray  
048898

Gel barrière thermique  
- Heat barrier spray  
054325

Acier/Steel/Stahl					
DENTSTATION					
<b>39.02</b> (230V)	<b>39.04</b> (400V)	<b>PRO 230</b> (230V)	<b>PRO 400</b> (400V)	<b>EXPERT 200</b> (200-240V)	<b>EXPERT 400</b> (400V)
028012	028029	036420	036437	036734	036741



Housse de protection - Protection cover - Schutzhaube  
059870

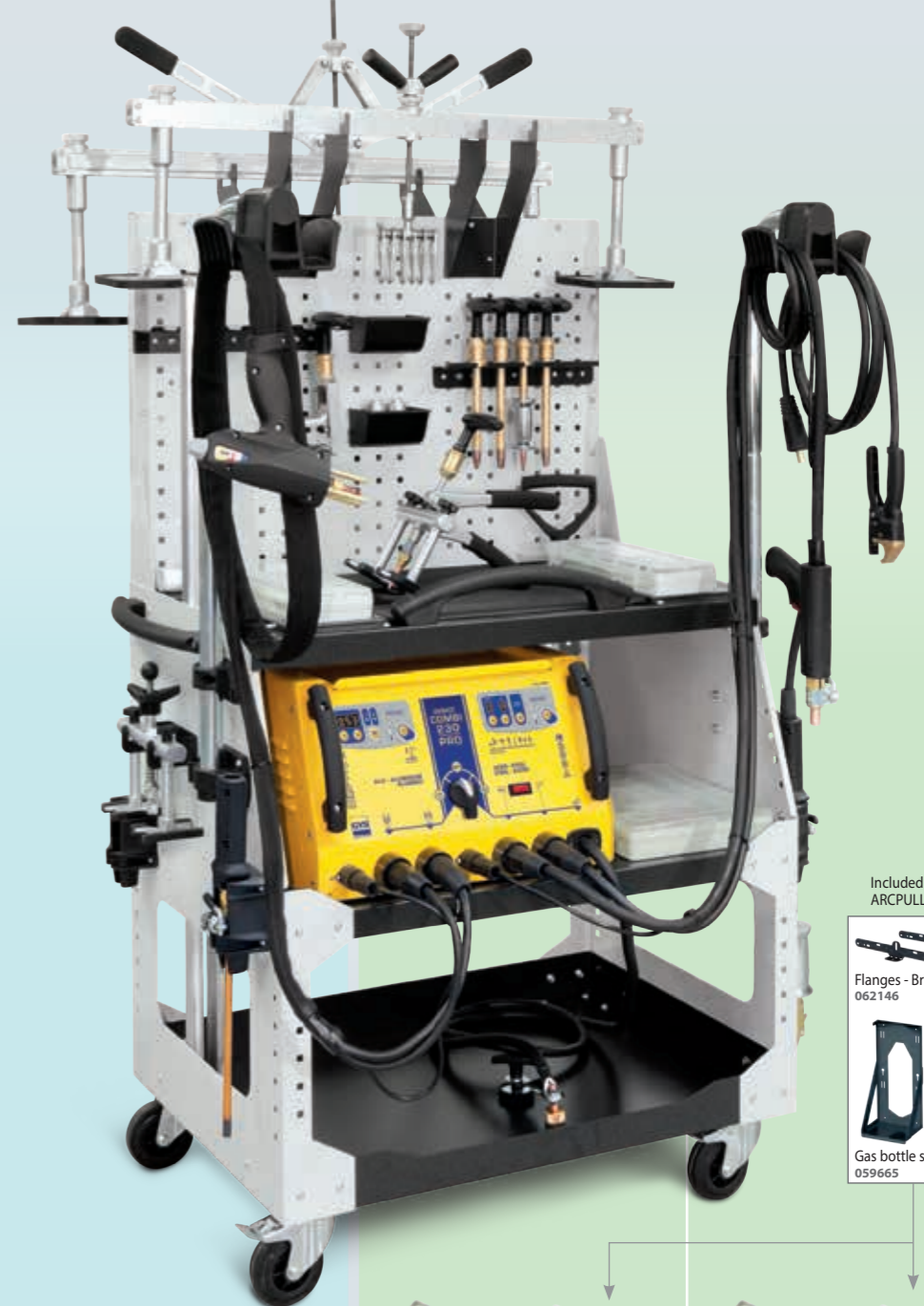


GYSPOT 39.02    GYSPOT 39.04    GYSPOT PRO 230    GYSPOT PRO 400    GYSPOT EXPERT 200    GYSPOT EXPERT 400

- Dentstation Pro 056848
- Fixing kit 051362 (x6, x2)
- Manuspot 050679 (p.13)
- Ringmatic 052154 (p.13)
- Manual pulling handle 057289 (p.13)
- Levelling lever 050686 (p.14)
- Levelling bar 050693 (p.14)
- Scissoring bar 050716 (p.14)
- Double pads support 050723 (p.14)
- Strengthened bar 1,2m 051171 (p.14)
- 052451 (p.14)
- 4 gripping multihook head 049758 (p.15)
- 6 gripping multihook head 049734 (p.15)
- 8 gripping multihook head 049741 (p.15)
- 3 lifting rods 050792 (p.16)
- Dent box consumables 051515 (p.17)
- Empty box (320x113mm)
- Magnetic earth 049666 (p.16)

- Dentstation Pro 056848
- Fixing kit 051362 (x6, x2)
- Manuspot 050679 (p.13)
- Ringmatic 052154 (p.13)
- Manual pulling handle 057289 (p.13)
- Levelling lever 050686 (p.14)
- Levelling bar 050693 (p.14)
- Scissoring bar 050716 (p.14)
- Double pads support 050723 (p.14)
- Strengthened bar 1,2m 051171 (p.14)
- 052451 (p.14)
- 4 gripping multihook head 049758 (p.15)
- 6 gripping multihook head 049734 (p.15)
- 8 gripping multihook head 049741 (p.15)
- 3 lifting rods 050792 (p.16)
- Dent box consumables 051515 (p.17)
- Empty box (320x113mm)
- Magnetic earth 049666 (p.16)

Acier/Steel/Stahl		Alu	
DENTSTATION			
<b>COMBI 230 E.PRO</b>	<b>EXPERT 200 + ARCPULL 200</b>	<b>EXPERT 400 + ARCPULL 200</b>	
036444	028036	028043	



Included for ARCPULL 200

Flanges - Brides (x 2) 062146

Gas bottle support 059665



GYSPOT COMBI 230 E.PRO    GYSPOT EXPERT 200    GYSPOT ARC PULL 200    GYSPOT EXPERT 400    GYSPOT ARC PULL 200

Alu puller 051003 (p.24)

Cable support 052284

Acier/Steel/Stahl

DENTSTATION PREMIUM

PRO 230  
(230V)

028067

PRO 400  
(400V)

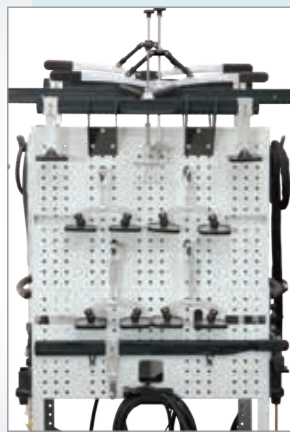
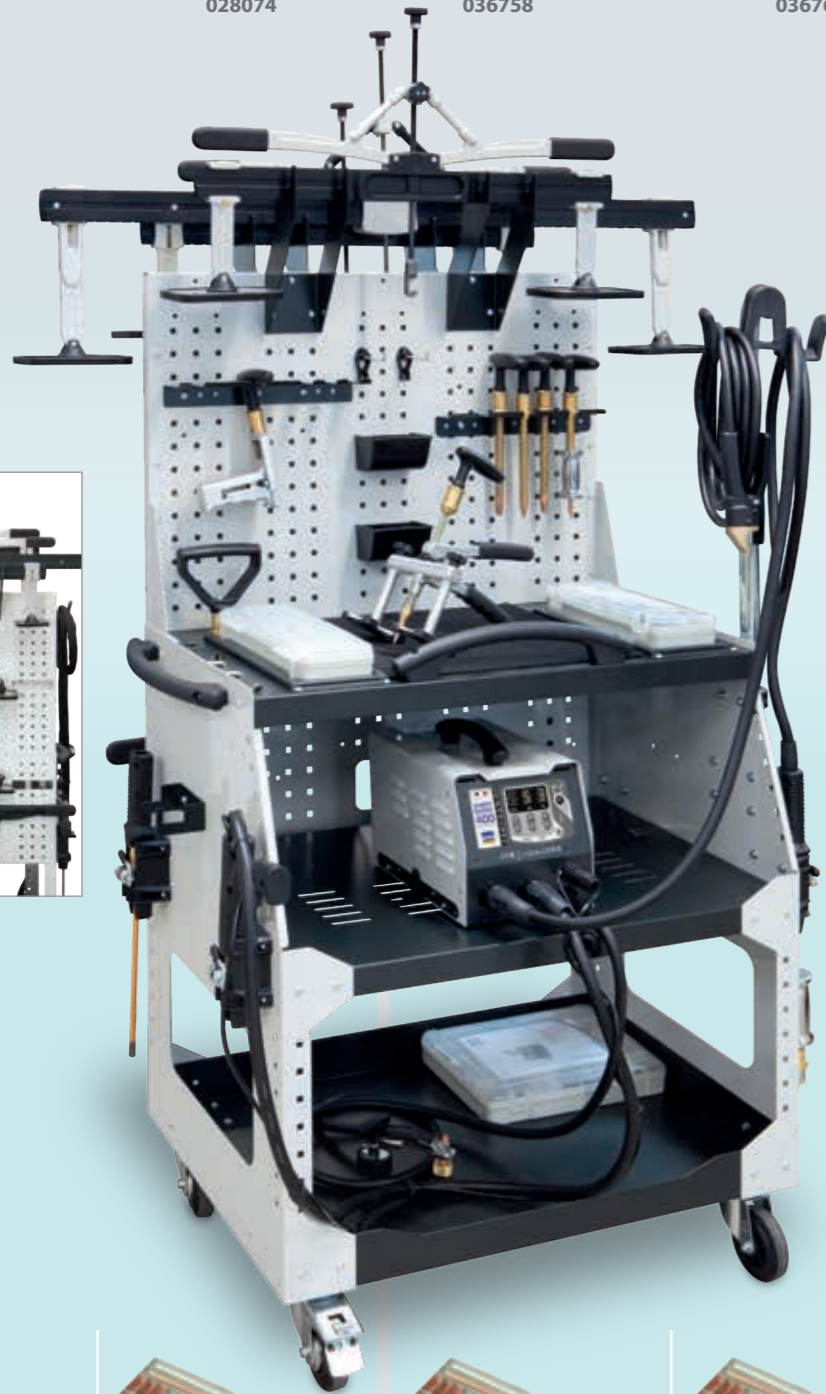
028074

EXPERT 200  
(200-240V)

036758

EXPERT 400  
(400V)

036765



Housse de protection  
- Protection cover  
- Schutzhaube  
059870



GYSPOT PRO 230



GYSPOT PRO 400



GYSPOT EXPERT 200



GYSPOT EXPERT 400

	Dentstation Pro 056848
	x10  x2 Fixing kit 051362
	Manuspot 050679 (p.13)
	Ringmatic 052154 (p.13)
	Manual pulling handle 057289 (p.13)
	Premium levelling lever 059290 (p.15)
	Premium levelling bar 059306 (p.15)
	Premium scissoring bar 058996 (p.15)
	Premium levelling lever 1200 059313 (p.15)
	Premium double pads support 150 mm 059351 (p.15)
	Premium double pads support 220 mm 059375 (p.15)
	059382 (p.15) x2
	059658 (p.15)
	6 gripping multihook head 049734 (p.15)
	3 lifting rods 050792 (p.16)
	Dent box consumables 051515 (p.17)
	Empty box (320x113mm)
	Magnetic earth 049666 (p.16)

	Dentstation Pro 056848
	x10  x2 Fixing kit 051362
	Manuspot 050679 (p.13)
	Ringmatic 052154 (p.13)
	Manual pulling handle 057289 (p.13)
	Premium levelling lever 059290 (p.15)
	Premium levelling bar 059306 (p.15)
	Premium scissoring bar 058996 (p.15)
	Premium levelling lever 1200 059313 (p.15)
	Premium double pads support 150 mm 059351 (p.15)
	Premium double pads support 220 mm 059375 (p.15)
	059382 (p.15) x2
	059658 (p.15)
	6 gripping multihook head 049734 (p.15)
	3 lifting rods 050792 (p.16)
	Dent box consumables 051515 (p.17)
	Empty box (320x113mm)
	Magnetic earth 049666 (p.16)

Acier/Steel/Stahl

DENTSTATION PREMIUM

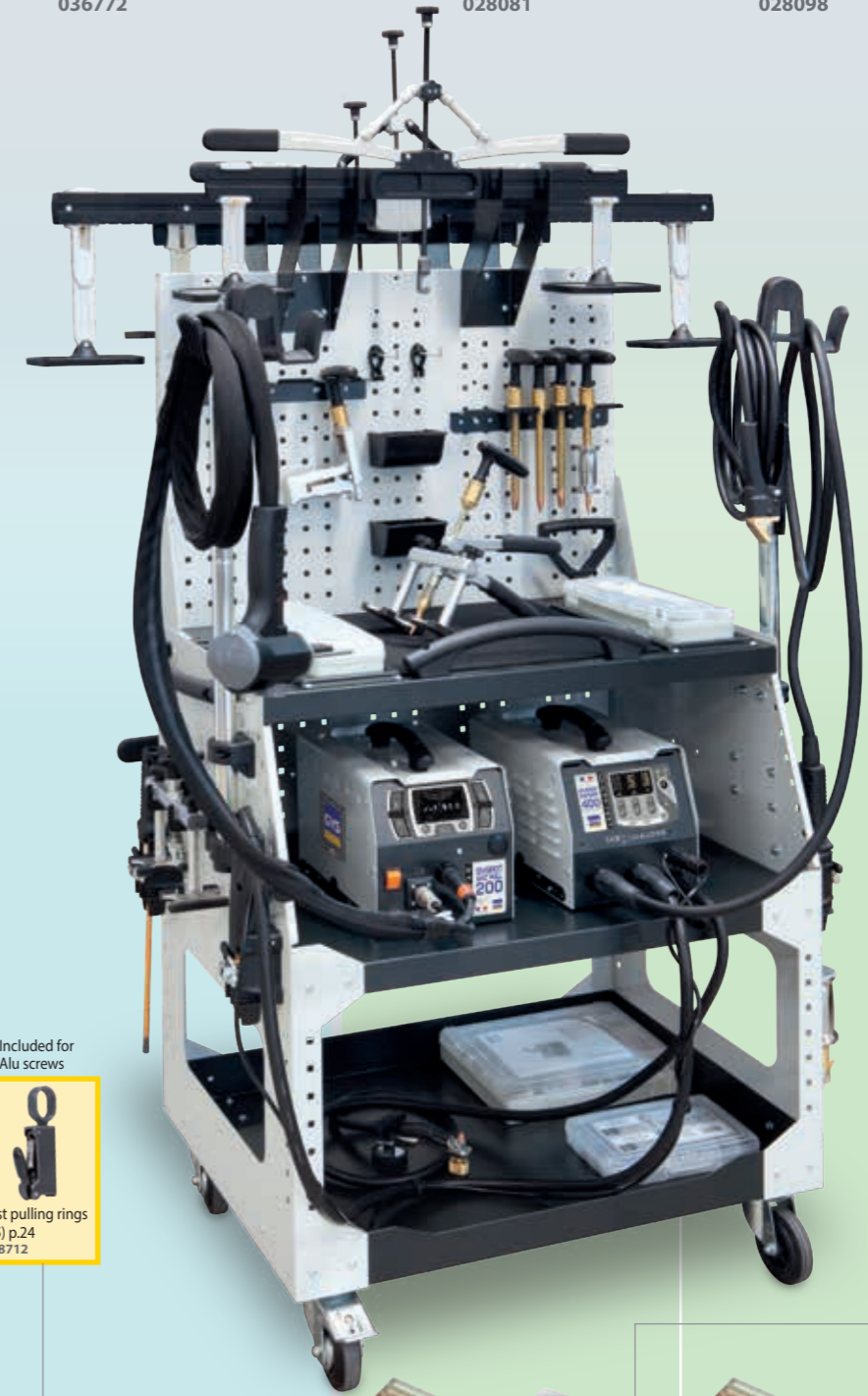


Alu

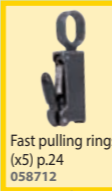
COMBI 230 E.PRO  
036772

EXPERT 200 + ARCPULL 200  
028081

EXPERT 400 + ARCPULL 200  
028098



Included for Alu screws



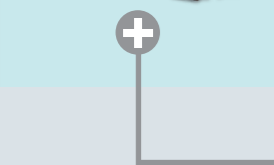
Fast pulling rings (x5) p.24 058712

Included for ARCPULL 200



Flanges - Brides (x2) 062146

Gas bottle support 059665



GYSPOT COMBI 230 E.PRO



GYSPOT EXPERT 200



GYSPOT ARC PULL 200



GYSPOT EXPERT 400



GYSPOT ARC PULL 200



Alu puller 051003 (p.24)  
Cable support 052284

DENTSTATION PREMIUM

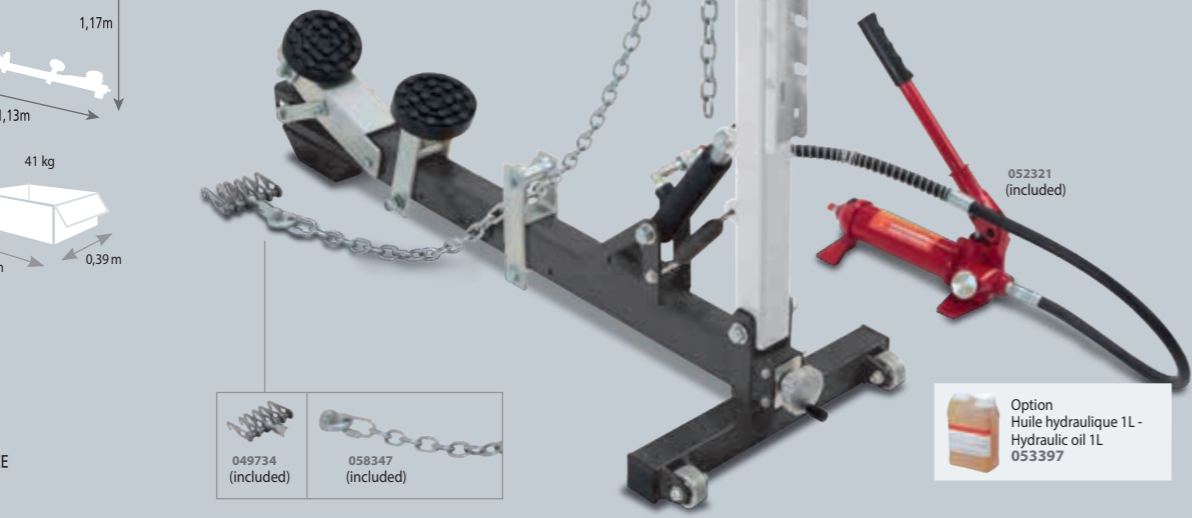
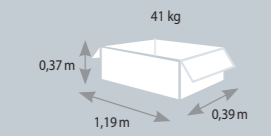
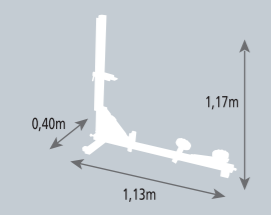
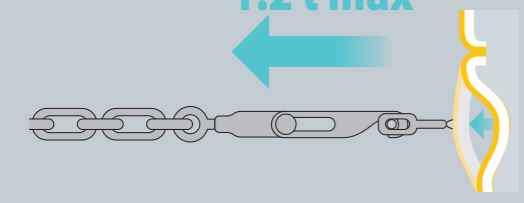
WORKSTATIONS

# ÉQUERRE DE TIRAGE

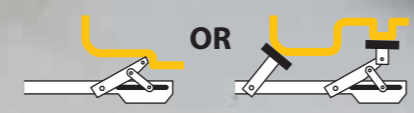
- Draw aligner - Schnellausbeul-Richtausleger

052475

1.2 t max



Option Huile hydraulique 1L - Hydraulic oil 1L 053397



OPTION Bras de bas de caisse - Rocker panel arms for draw aligner - Abstütztraverse für Richtausleger

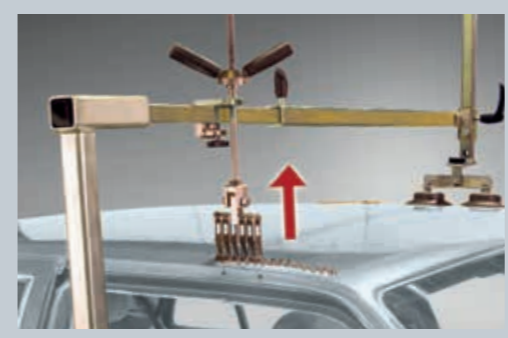


UNIVERSAL

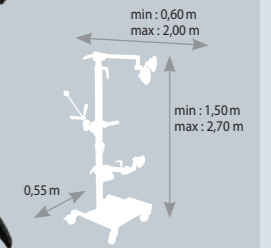
# SYSTÈME DE TIRAGE SMART PULLER SILVER

- Smart puller silver pulling system - Schnellausbeul-Richtausleger Smart puller silver

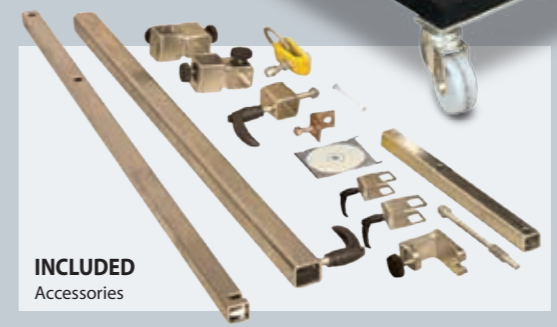
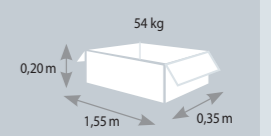
054820



- Portières - Doors - Türen
- Montants - Supports - Scheibenrahmen
- Capot - Hood/Bonnet - Haube
- Armature - Armature - Rahmen
- Bas de caisse - Rocker panel - Schweller
- Ailes - Wings - Kotflügel
- Toit - Roof - Dach
- Hayon - Hatchback - Heckdeckel



Autorobot



INCLUDED Accessories



**Spreading / Estensione**

**Pressing / Compressione**

**Pulling / Tiro**

**Pushing / Spinta**

**Applications / Applicazioni**

**ELECTRO POWER**

Non commercialisable en France

with accessories: 057425

- PULLING POWER: 5 Ton.  
- PUSHING POWER: 5 Ton.  
- PISTON STROKE: 130 mm

MADE IN ITALY

INCLUDED

Standard kit : 425x620x210 mm  
Standard kit Total weight: 18 kg  
057401

Li-Ion battery (included) 058514

INCLUDED

Accessories kit : 425x620x150 mm  
Accessories kit Total weight: 20 kg  
057418



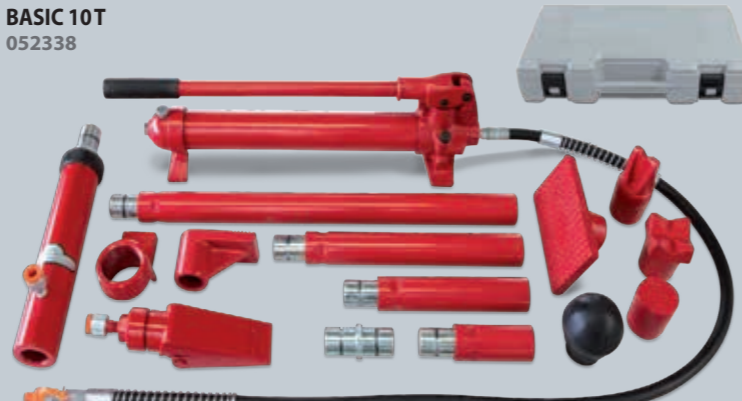
**COFFRET VÉRIN HYDRAULIQUE** - Hydraulic cylinder kit - Hydraulischer Drucksatz

MADE IN P.R.C.

**BASIC 4T**  
052345



**BASIC 10T**  
052338



**PRO 4T**  
057432



**PRO 10T**  
057449



Option  
Huile hydraulique 1L -  
Hydraulic oil 1L  
053397

**BARRE D'ANCRAGE** - Anchor bar - Türspanner

MADE IN TAIWAN

053045



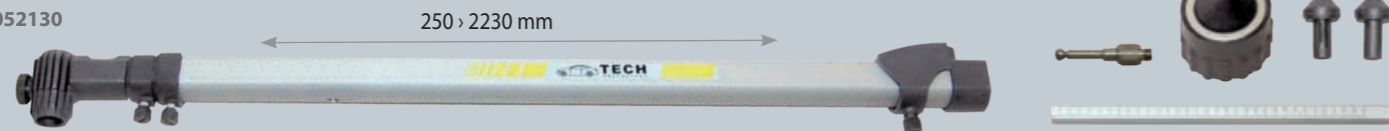
053052



**MESURES** - Measuring tools - Vermessung

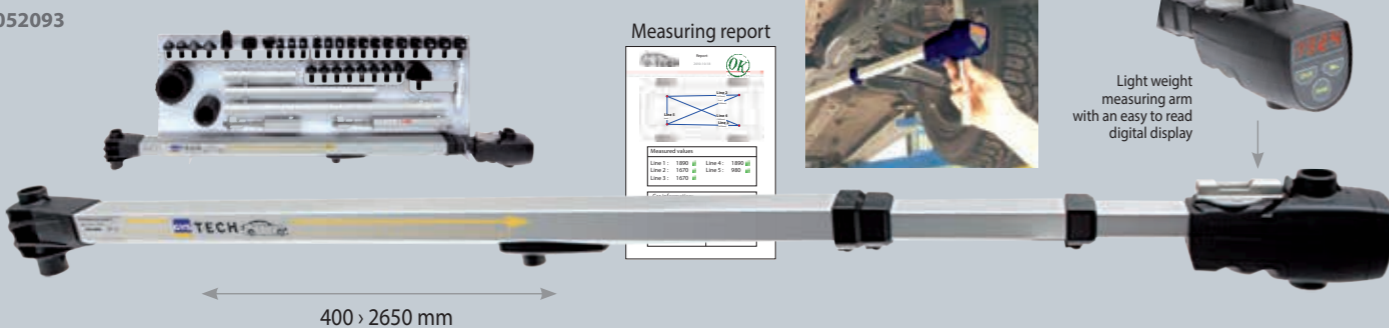
BODYMETER, Mechanical measurements

052130

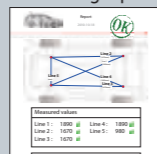


GYSMETER, Electronic measurements

052093



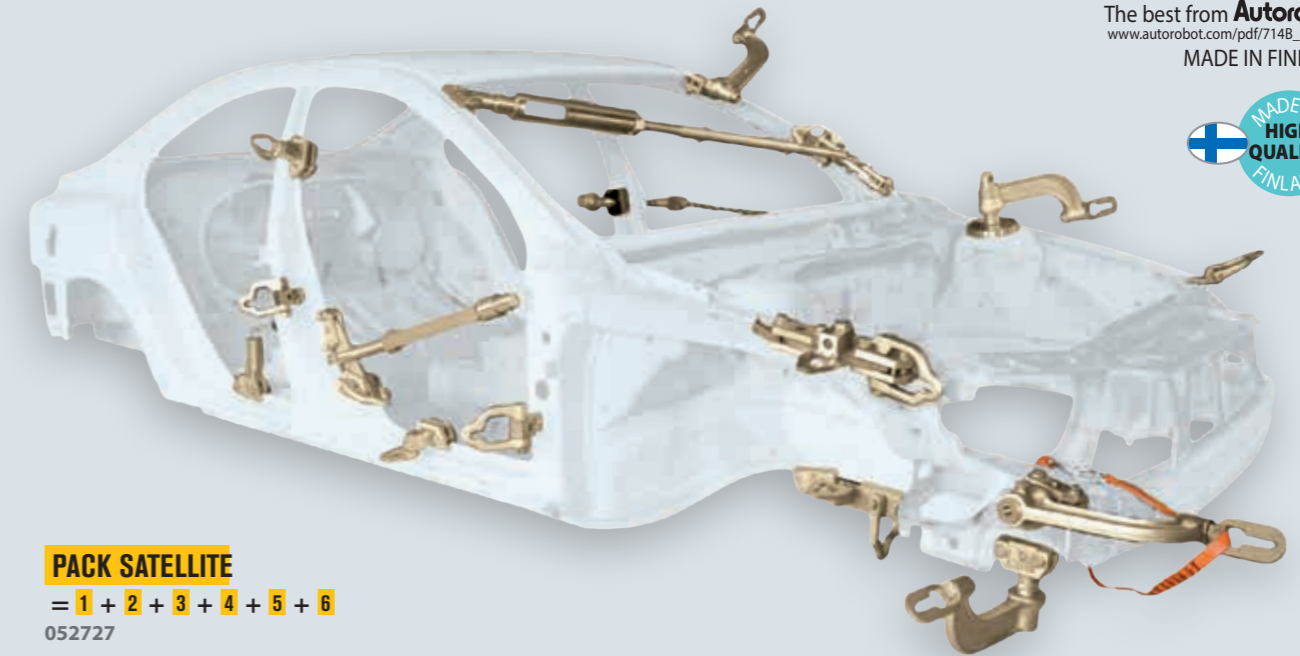
Measuring report



Light weight  
measuring arm  
with an easy to read  
digital display

**SATELLITE INTELLIGENT** - Smart Satellite - Satellite Komplett-Kit

The best from **Autorobot**  
www.autorobot.com/pdf/714B\_ENG.pdf  
MADE IN FINLAND

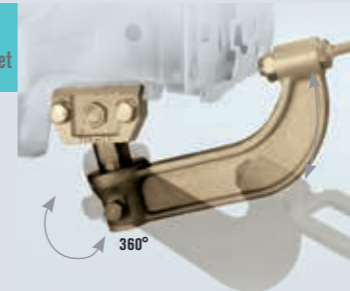


**PACK SATELLITE**

= 1 + 2 + 3 + 4 + 5 + 6  
052727

**1 SATELLITE**  
- Satellite - Satellite Basisbügel-Set

052710



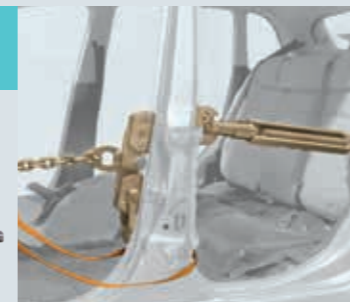
**2 KIT MAC PHERSON (A)**  
- Mac Pherson Kit - Befestigungskit-Federbein (McPherson)

052703



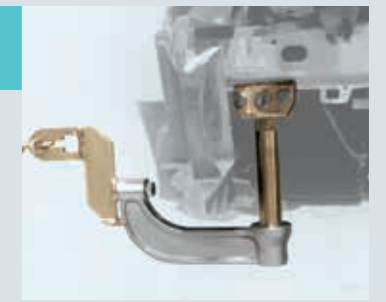
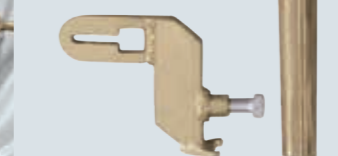
**3 BARRE POUR TIRER/POUSSER**  
- Push/Pull Bar  
- Zug/Druck-Stangenset

052673



**4 SATELLITE (B)**  
- Bügelverlängerung

052680



**5 SANGLE DE SÉCURITÉ**  
- Safety Strap - Sicherungsgurt

044036



**6 DOUBLE PINCE SATELLITE (C)**  
- Double Clamp Satellite  
- Satellite Doppelklemme

052697



**PINCE DE TIRAGE MULTI-USAGE**  
- Versatile pulling clamp  
- Multifunktions-Zugklemme

053571



**POWER-PULLER 4T**

059740

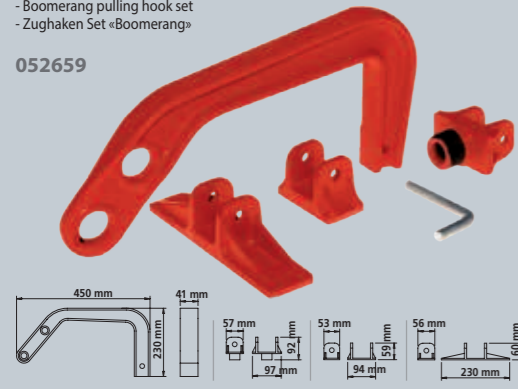


HIGH QUALITY

**CROCHET DE TIRAGE - Frame Straightening - Ziehwerkzeuge**

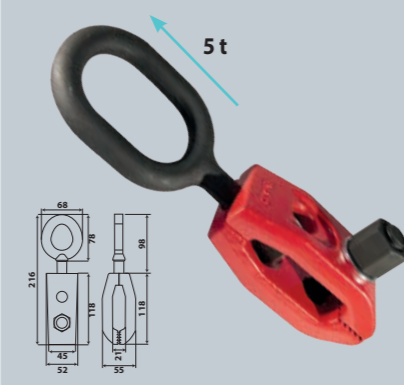
Kit crochet de tirage « boomerang »  
- Boomerang pulling hook set  
- Zughaken Set «Boomerang»

052659

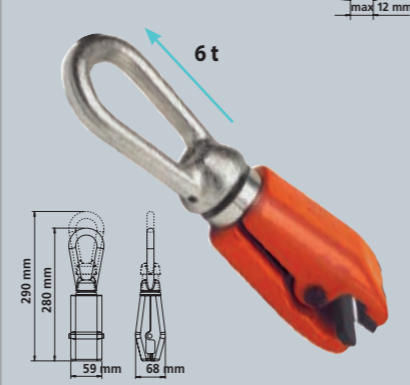


**PINCES DE TIRAGE - Frame Straightening - Ziehwerkzeuge**

Mini pince de tirage a blocage manuel  
- Manual-locking pull clamp  
- Mini Klemme von Auflage in Handblockieren  
056855



Pince de tirage à blocage automatique  
- Self-locking pull clamp  
- Selbstklemmende Zugklemme  
052642



**PINCE PIVOTANTE - Swivel clamp**

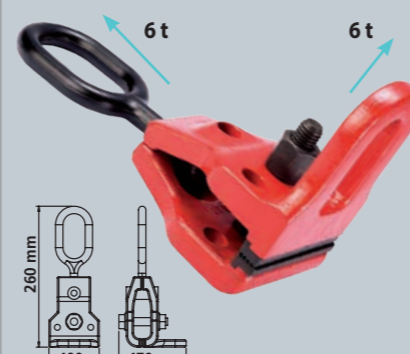
060968



Pince de tirage à blocage automatique  
- Self-locking pull clamp  
- Selbstklemmende Zugklemme  
060944

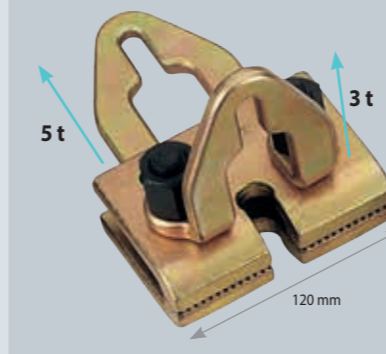


Pince de tirage à angle droit  
- Right angle pull clamp  
- Zugklemme 90° Winkel  
052666

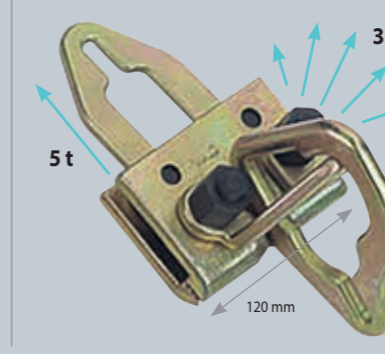


**PINCES DE TIRAGE LARGES - Wide pull clamps**

Pince de tirage large 2 directions  
- 2-way wide serrate clamp  
061217

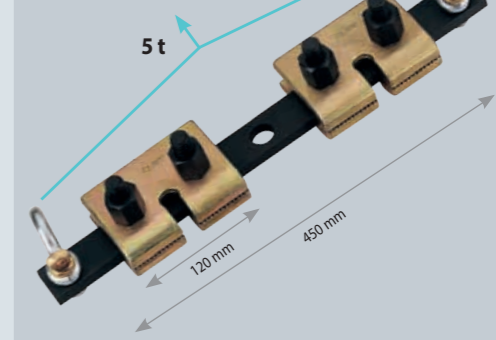


Pince de tirage large multidirections  
- Multi-way wide serrate clamp  
061224



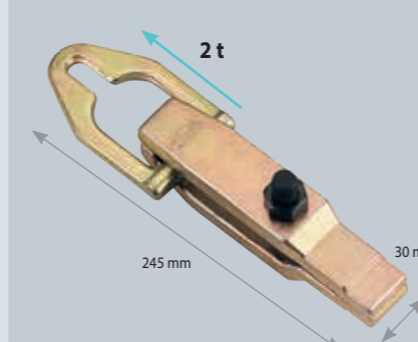
**PINCE DE TIRAGE MULTIPLE - Multiple pull clamp**

Pince multiple répartition de charge  
- Load spread multi clamp  
060999

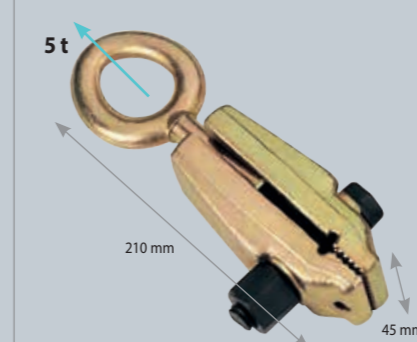


**PINCES DE TIRAGE FAIBLE LARGEUR - Small pull clamps**

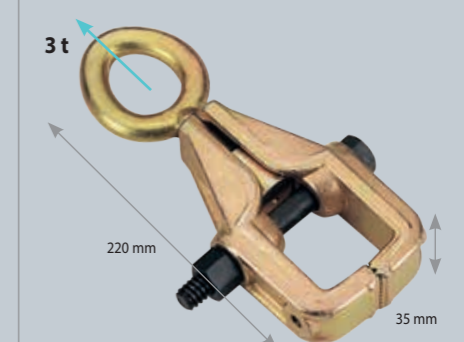
Pince bec de canard  
- Long nose clamp  
060951



Pince de tirage faible largeur  
- Small mouth pull clamp  
061231

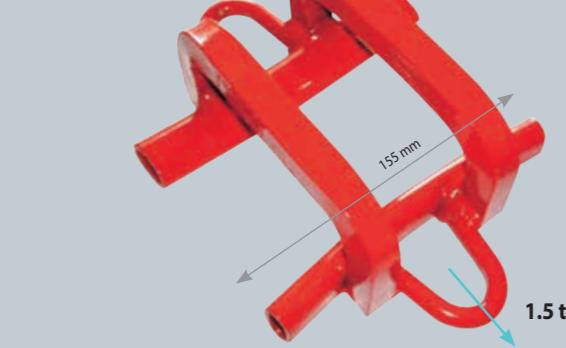


Pince contournement de rebord  
- Box clamp  
061170

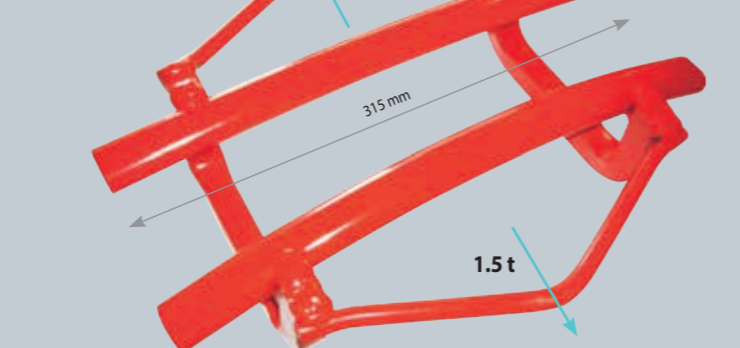


**PASSAGE DE ROUE - Arch hooks**

Crochet passage de roue petite dimension  
- Small arch hook  
060975

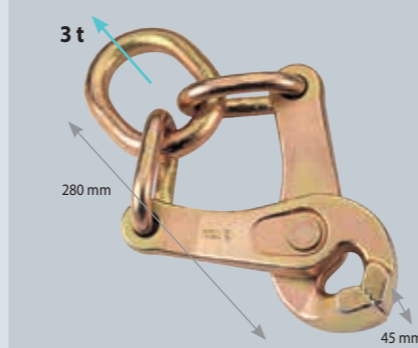


Crochet passage de roue grande dimension  
- Large arch hook  
060982



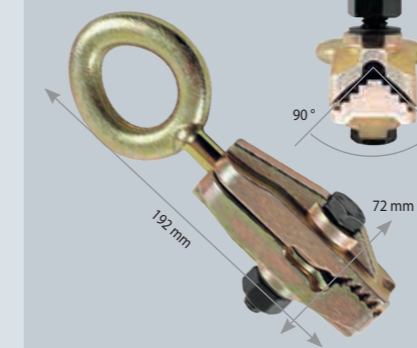
**PINCE CISEAUX LARGEUR 45 MM - 45 mm scissors clamp**

061187



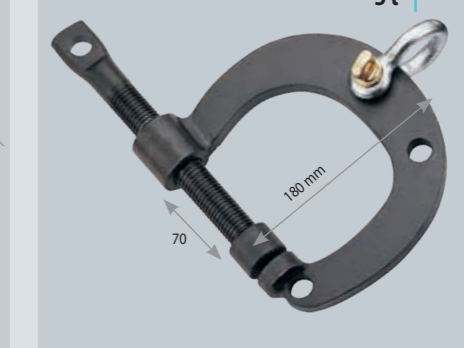
**PINCE DE TIRAGE POUR ANGLE 90° - 90 Degree corner clamp**

059757



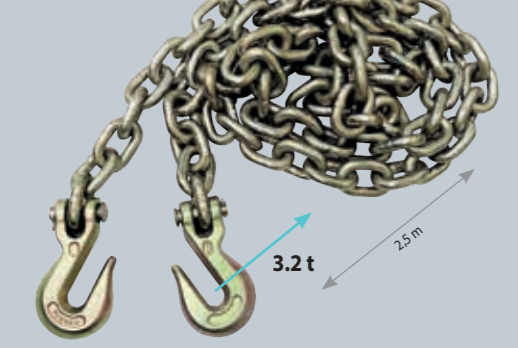
**PINCE DE TIRAGE TYPE C - C type clamp**

061200

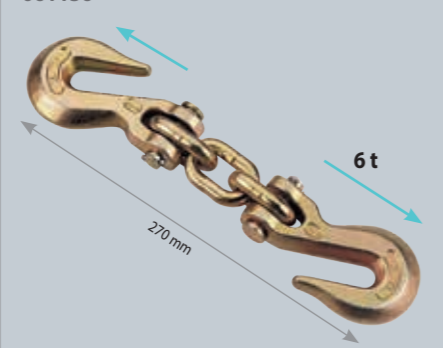


**CHAÎNES DE TIRAGE - Frame Straightening - Ziehwerkzeuge**

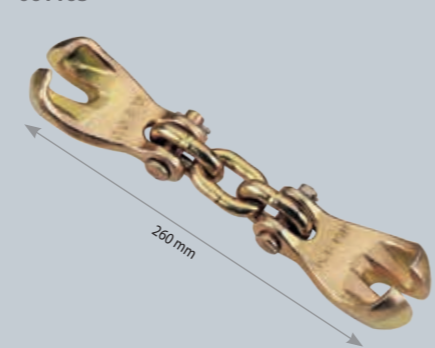
Chaîne de tirage 10 mm  
Body chain 10 mm  
061255



Raccord de chaîne double crochet  
- Chain joint double grab hook  
061156

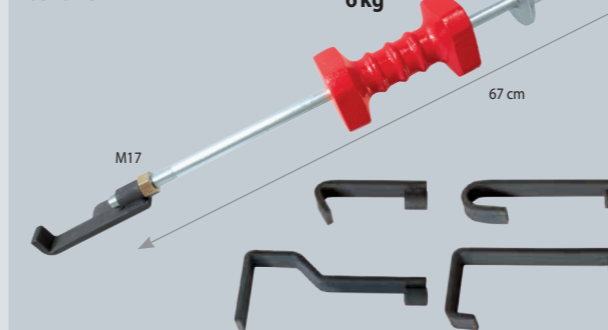


Raccord de chaîne pour deux pinces  
- Chain joint for two clamps  
061163

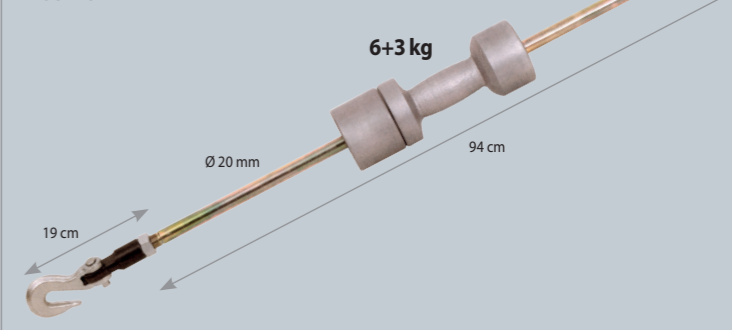


**KIT MARTEAU À INERTIE - Inertia hammer kit - Ausziehhammer kit**

Kit marteau à inertie  
- Inertia hammer kit  
- Ausziehhammer kit  
051928



Marteau à inertie 6+3 kg avec griffe de chaîne  
- Inertia hammer 6+3 kg with chain hook  
- Ausziehhammer 6+3 kg  
061194



## INDUCTEUR DÉBOSELAGE - Dent Pulling Inductor - Ausbeul Induktor

Débosselage rapide et sans peinture  
- Fast paintless dent pulling  
- Lackschadenfreies Ausbeulen

**GYSDUCTION AUTO DENT REPAIR**  
054981



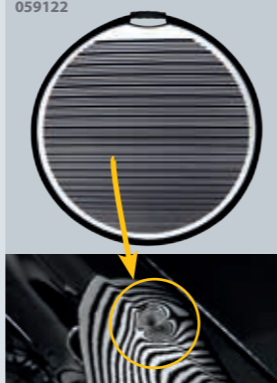
**GYSDUCTION AUTO**

**Dent pulling inductor**  
054776

50 Hz	A	W	kHz	PFC	FV	Liquid Cooling	Cable (m)	Inductor	cm	kg	OPTION Spray refroidisseur - Freezer spray -50 °C 400 ml (x 12) 048898
230V, 1~	16	2400	35+120	■	■	—	2	2,5	22 x 36 x 27	7,5	

## INSPECTION CARROSSERIE - Dent Pulling Inductor - Ausbeul Induktor

Planche flexible pour inspection de la carrosserie  
Ø 800 mm  
059122



## KIT MAGNÉTIQUE DE DÉBOSELAGE SANS PEINTURE - Paintless Dent Repair magnetic kit - Magnetisches Ausbeul-Kit

053168

**EXELTOOLS**



## LAMPES DE DÉBOSELAGE - Paintless Dent Repair lamps - Ausbeullampe

056749  
Made in Taiwan

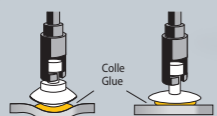


## ULTRA LIGHT CARBON X40 PW - EXELTOOLS

053175



## GLUE PULLER PRO (Acier/Alu - Steel/Alu)



Glue Lifter  
057364

Glue Puller PRO  
058699

Glue Puller PRO EXPORT  
059160

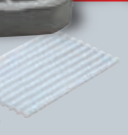
x6  
050952



250 W  
052901



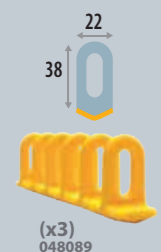
x10  
050976



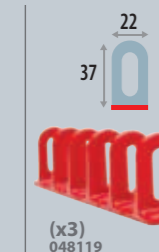
050983



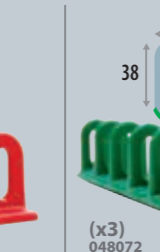
## BARRETTES ANNEAUX PLASTIQUE - Plastic Multipads Ösen-Klebe pads



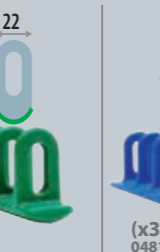
(x3)  
048089



(x3)  
048119



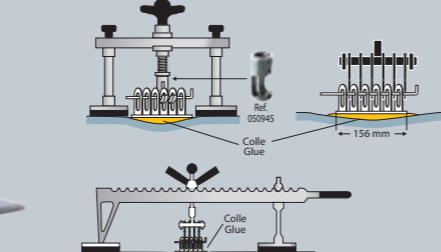
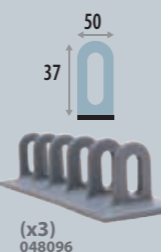
(x3)  
048072



(x3)  
048102



(x3)  
048096



## OPTIONS

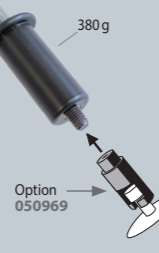
Poignée de tirage  
3 dents - Pulling  
handle 3 claws -  
Handzugkralle  
3-fach  
057326



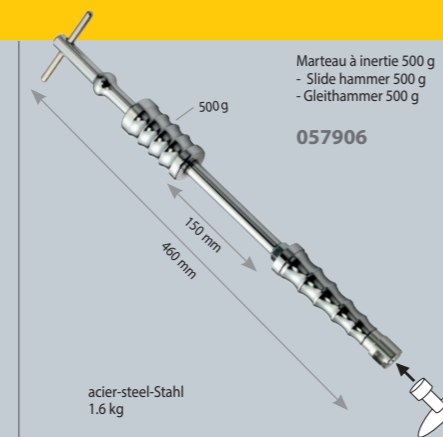
057302



Marteau à inertie 380 g  
- Slide hammer 380 g  
- Gleithammer 380 g  
050051



Option  
050969



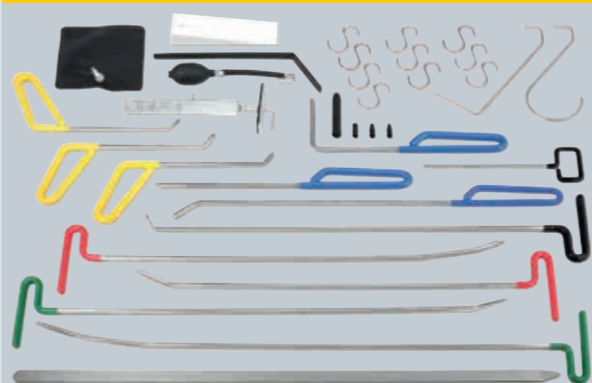
Marteau à inertie 500 g  
- Slide hammer 500 g  
- Gleithammer 500 g  
057906



Jeu de 2 couteaux pour  
découpe de renforts colles  
- Set of 2 knives to cut glued  
reinforcements  
- 2-er Set Messer zur  
Klebebandentfernung  
057913

## KIT DÉBOSELAGE SANS PEINTURE - Dent Pulling Kit (paintless) - Dellenausbeulhebel-Set

- Dent Pulling Kit (paintless) - Dellenausbeulhebel-Set



33 parts



051959



## KIT COUSSINS GONFLABLES - Air Cushion Kit - Luftpolster-Spreizkissen-Satz

- Air Cushion Kit - Luftpolster-Spreizkissen-Satz



051942

## KIT DE 6 COINS DE FRAPPE - Set of 6 pencil punches - Beulenstemmer-Satz mit 6 Tefloneinsätzen

- Set of 6 pencil punches - Beulenstemmer-Satz mit 6 Tefloneinsätzen

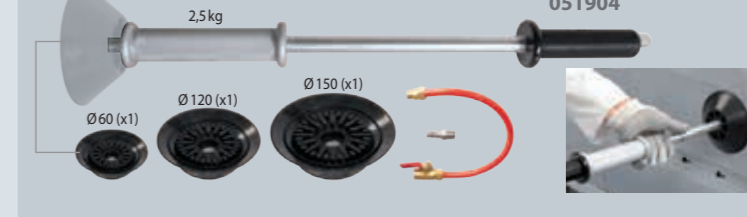


052888



## MARTEAU INERTIE PNEUMATIQUE - Pneumatic inertia hammer - Unterdruck-Schlaghammer

- Pneumatic inertia hammer - Unterdruck-Schlaghammer



2,5 kg

051904

Ø60 (x1)

Ø120 (x1)

Ø150 (x1)

## MARTEAU À INERTIE À VENTOUSES (POMPAGE MANUEL) - PUMP AIR SUCTION SLIDE HAMMER - Man. Unterdruck-Schlaghammer

- PUMP AIR SUCTION SLIDE HAMMER - Man. Unterdruck-Schlaghammer



1,1 kg

Ø75 (x1)

Ø100 (x1)

Ø125 (x1)

048683

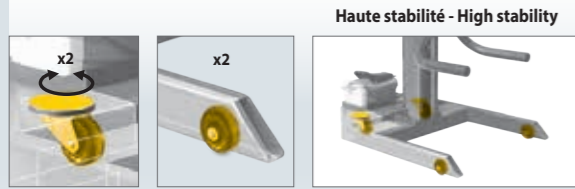


37

PAINTLESS DENT REPAIR

DENT PULLING

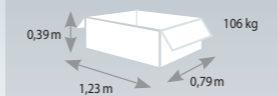
# MOBILE LIFTS



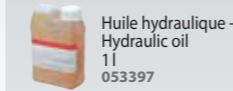
**SPOT LIFT**

max Air 8 bar	Safe EN 1494
max 2.5 t	

052864



**OPTIONS**



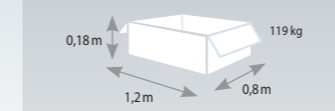
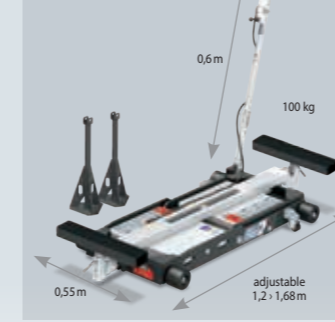
053236



**SPOT LIFT PRO**

max Air 8 bar	Safe EN 1494
max 2.2 t	

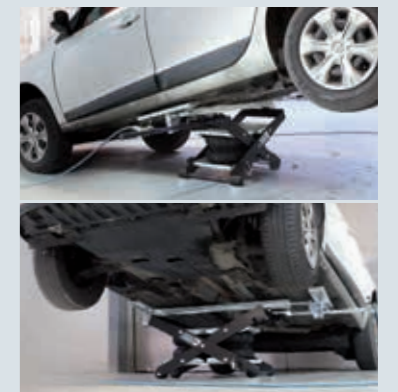
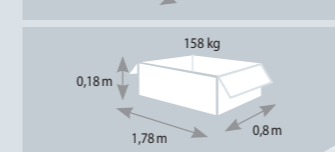
053557



**SPOT LIFT PRO MOB**

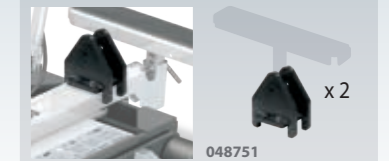
max Air 8 bar	Safe EN 1494
max 2.2 t	

055896

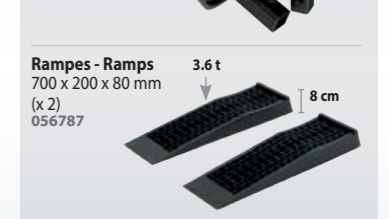


**OPTIONS**

**SPOT LIFT PRO**  
Réhausseur pour 4x4 et utilitaires  
- Height adjuster for 4x4 & utility vehicles  
- Erhöhung f. 4x4 und Leicht-LKW



**Patins - Pads**  
for Audi & BMW  
(x 2)  
053717

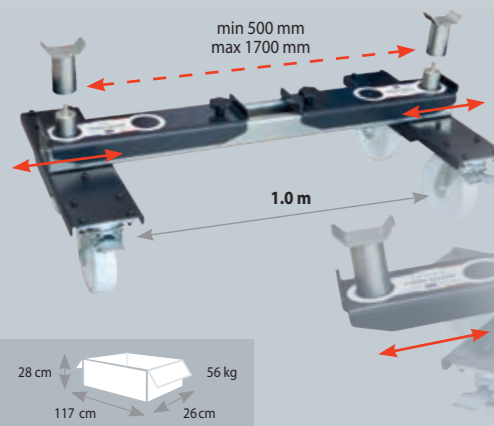


**Rampes - Ramps**  
700 x 200 x 80 mm  
(x 2)  
056787



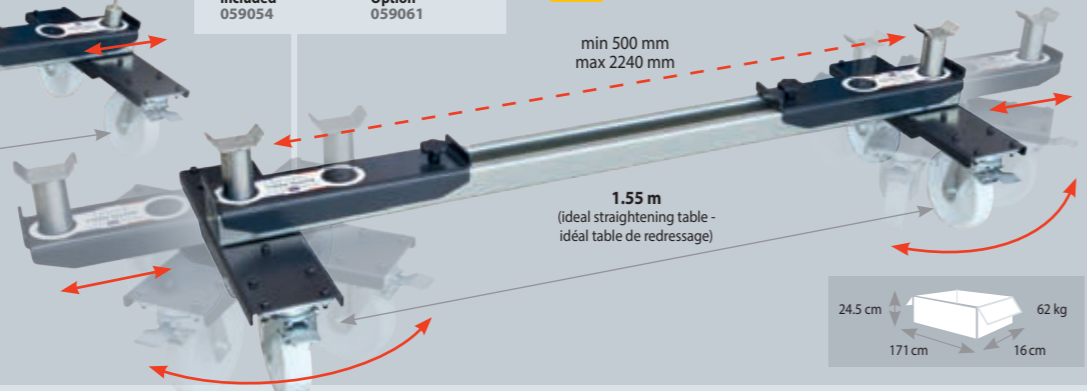
**AUTO ROLL**

**AUTO ROLL 1.0 m / 1.2 t**  
059047



**AUTO ROLL 1.55 m / 1.2 t**  
063839

**NEW**



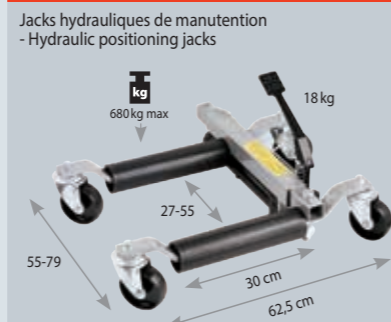
**TABOURETS DE MANUTENTION**  
- Wheel trolleys - Radhocker

(x2)  
048768



**CHARIOT DE MANUTENTION PRISE SOUS ROUE**  
- Wheel truck - Kfz-Montagelift, fahrbar

(x2)  
053243

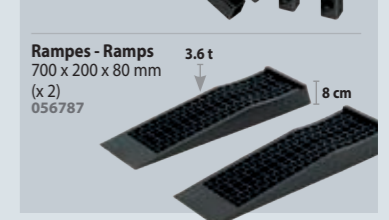


**OPTIONS**

**SPOT LIFT PRO MOB**  
Réhausseur pour 4x4 et utilitaires  
- Height adjuster for 4x4 & utility vehicles  
- Erhöhung f. 4x4 und Leicht-LKW



**Patins - Pads**  
for Audi & BMW  
(x 2)  
061606

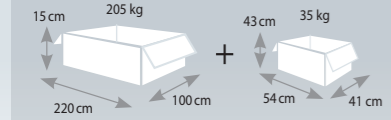


**Rampes - Ramps**  
700 x 200 x 80 mm  
(x 2)  
056787

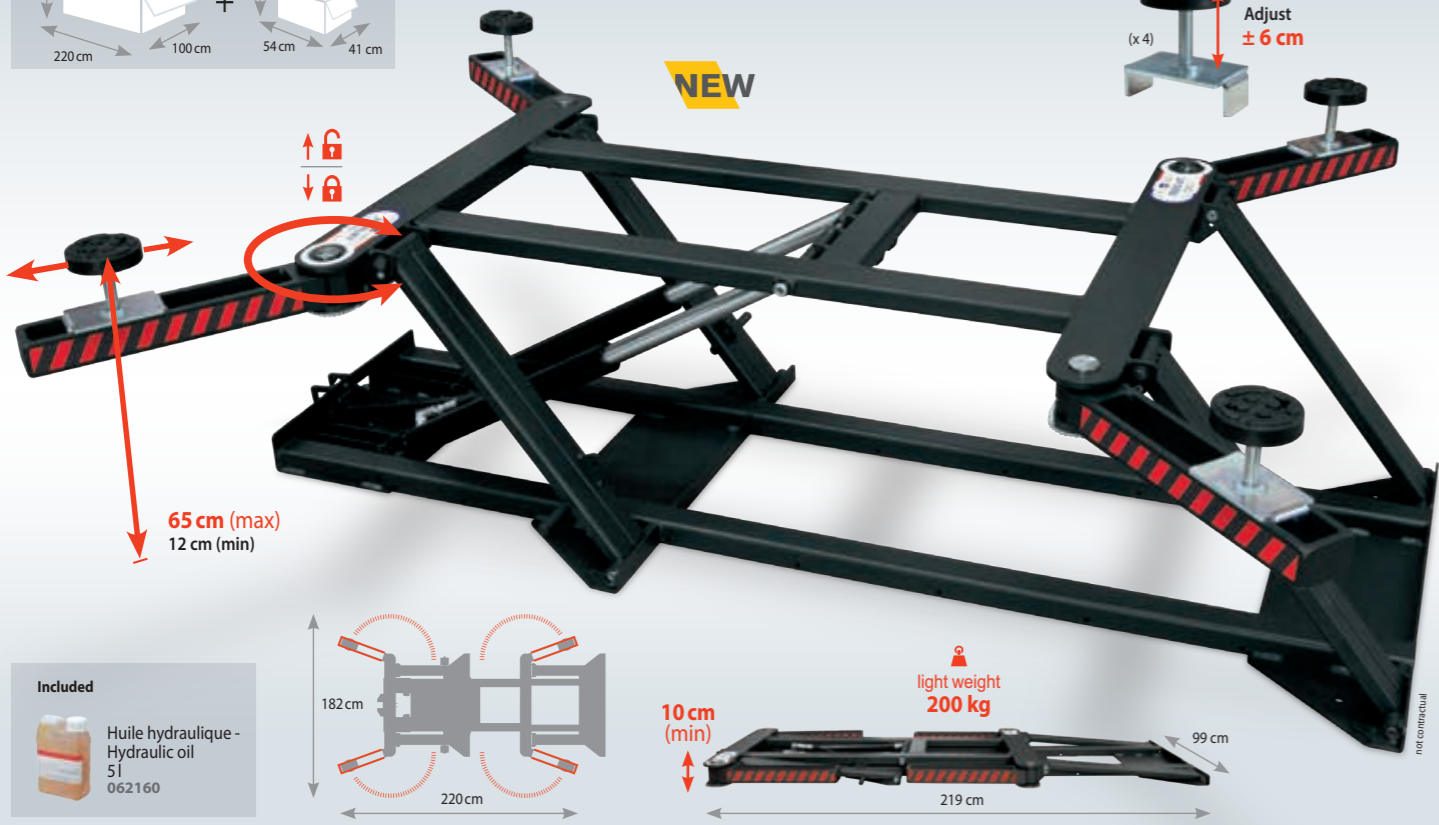


**ERGO LIFT 650**

220 V, 1~ Safe EN 1493  
**max 2 t**



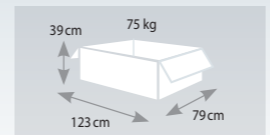
**SAFE EN 1493**



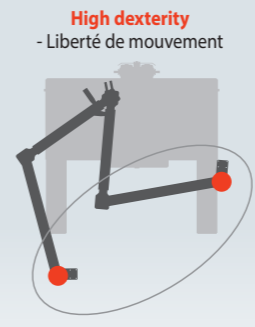
**TROLLEY IW1**

max 6.5 bar  
**6.5 bar**  
 063136

**NEW**



**OPTION**  
 Huile hydraulique - Hydraulic oil 11 053397



**QUICK LIFT L520E**

062184  
 Made in China  
 220 V, 1 ph 0,75 kW  
 4 m

11 cm 43 kg x 2 + 43 cm 39 kg  
 181 cm 37 cm 54 cm 41 cm

Included: Huile hydraulique - Hydraulic oil 51 062160



**AIR JACKS**

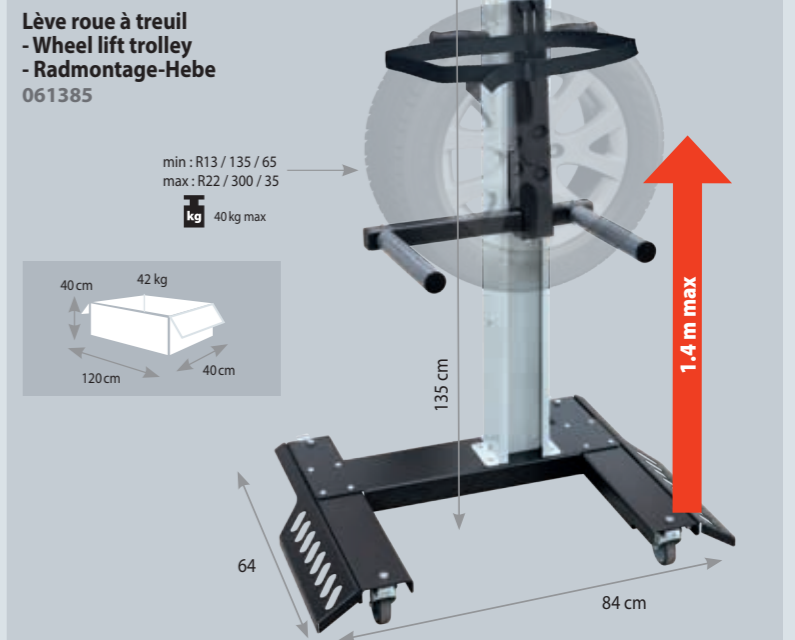


**MADE IN HIGH QUALITY ITALY**

**AIR JACK VAN 2T** 058330  
 2T max  
 49 cm max  
 20.5 cm min  
 17 kg

**AIR JACK CAR 2T** 058323  
 2T max  
 32.6 cm max  
 13.2 cm min  
 14 kg

**MANUAL WHEEL LIFT**



# ÉVOLUTION TECHNOLOGIQUE

TECHNICAL IMPROVEMENTS - TECHNISCHE ENTWICKLUNG - MEJORAS TECNICAS

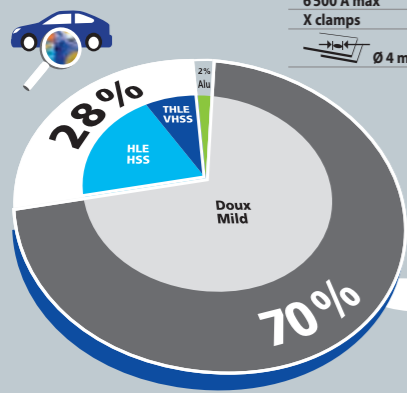
**2004**  
 Facteurs d'évolution :  
 • Challenge CO2 = faible poids  
 • Crash test = ★★★★★  
 • Anti corrosion = nouveaux revêtements  
 • Esthétique et visibilité plus sophistiquées.

**2020**  
 Evolution factors :  
 • CO2 Challenge = low weight  
 • Crash test = ★★★★★  
 • Anti-corrosion = new coatings  
 • Improved aesthetics and demand for better occupant visibility.

**2020**  
 Entwicklungsfaktoren :  
 • CO2 Challenge = geringes Gewicht  
 • Crash-Test = ★★★★★  
 • Anti-Korrosion = neue Beschichtung  
 • Modernes Technik-Design.

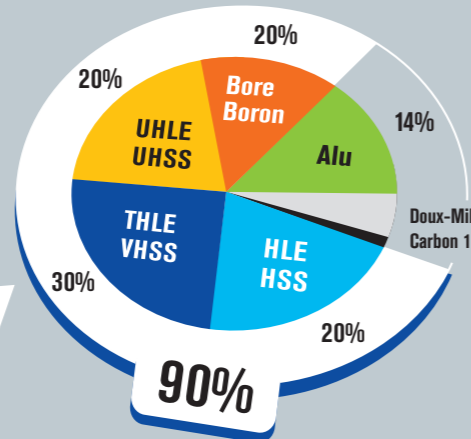
**2020**  
 Factores de evolución :  
 • Challenge CO2 = peso débil  
 • Ensayo de choque = ★★★★★  
 • Anti-corrosión = nuevos revestimientos  
 • Diseño y visibilidad mas sofisticadas

**2004**



OLD SOLUTIONS

Traditional machines  
 180 daN max  
 6 500 A max  
 X clamps  
 Ø 4 mm max



**2020**



GYS SOLUTIONS

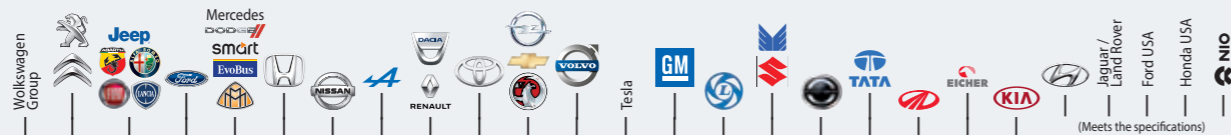
INVERTER Technology  
 550 daN max  
 14 500 A max  
 X & C clamps  
 Liquid cooled system  
 Ø 10 mm

- Mild - Doux
- HSS - HLE
- VHSS - THLE
- UHSS - UHLE
- Bore - Boron
- Aluminium

Exemple de carrosserie nouvelle génération  
 • An example of new generation car body  
 • Beispiel einer Karosserie der neuen Generation  
 • Ejemplo de la nueva generacion de carrocerias

## HOMOLOGATIONS PRODUITS

MANUFACTURER APPROVALS / COMPLIANCE - PRODUKT HOMOLOGATIONEN - PRODUCTOS HOMOLOGADOS



Machine	Volvo	Jeep	Mercedes-Benz	Renault	GM	Alfa Romeo	Ford	Hyundai	Kia	Land Rover	Peugeot	Seat	Skoda	Tata	Vauxhall	Volvo	Other
DENT PULLER																	
RESISTANCE SPOT WELDERS																	
RIVE / MAG																	
MIG / MAG																	
PLASMA																	
INDUCTION																	



RANGE

## RANGE



	32 D	100 R	BP-s7 / BPLG	EVOLUTION PTI-s7
Doux - Mild	•	•	•	•
HLE/THLE - HSS/VHSS	Difficult	•	•	•
UHLE/BORE - UHSS/BORON	Difficult	Difficult	•	•
Nombre de points - Number of spots				
→ 0,8 + 0,8 mm	100	150	no limit	no limit
→ 2,5 + 2,5 mm	10	15	120	120
Inverter Technology	—	•	•	•
EMF Directive 2013/35/UE	—	—	<b>BODY PROTECT TECHNOLOGY</b>	•
Système de refroidissement - Cooling system	<b>AIR</b>	<b>AIR</b>	<b>LIQUID</b>	<b>LIQUID</b>
Régulation automatique - Automated regulation				
I (A)	—	•	•	•
daN	—	•	•	•
→ Ø	irregular	<b>constant</b>	<b>constant</b>	<b>constant</b>
MODE AUTO	—	—	• (LC, LCX, LG)	•
Pince - Clamp				
X	• (32DX)	• (100R-X)	• (BPLX)	—
C	• (32DC)	• (100R-C)	• (BPLC, BPLG)	•
X+C	—	• (100R-CX)	• (BPLCX)	—
Transformer Inside Clamp	—	—	—	•
Cables (L)	<b>2,5 m</b>	<b>2,5 m</b>	<b>2,5 m</b>	<b>4 or 6 m</b>
Includes gun	•	•	•	option
Cadence de soudage maximale (points/min) - Max welding frequency (spots/min)				
→ 0,8 + 0,8 mm	10	10	10	10
→ 2,5 + 2,5 mm	6	10	2	10
Fuse				
400 V	32 A	40 A	32 A	40 A
200/208-240 V	—	—	—	—
			60 A	80 A
			100 A	25 A (14 500 A)
				16 A (11 500 A)
				40A (14 500 A)
				32A (11 500 A)

**BP BODYPROTECT TECHNOLOGY** 2013/35/UE

UNIQUE ELECTRO-MAGNETIC FIELD PROTECTION by GYS

®BODY PROTECT is a proprietary GYS technology that minimises electromagnetic fields created by the machine.  
 Compliant : Directive 2013/35/UE  
 Certified by : Laboratory EMITECH



**LA SOLUTION GLOBALE - THE GLOBAL SOLUTION**

**Other technologies**

**GYS BODYPROTECT TECHNOLOGY**

B1	10 < 25 cm (Norm : 3 cm max)	B1	0 cm (Norm : 3 cm max)
B2	25 < 35 cm (Norm : 30 cm max)	B2	5 cm (Norm : 30 cm max) / 4 cm (Norm : 30 cm max)
B3	35 cm (Norm : 20 cm max)	B3	0 cm (Norm : 20 cm max)
B4	35 cm (Norm : 20 cm max)	B4	0 cm (Norm : 20 cm max)

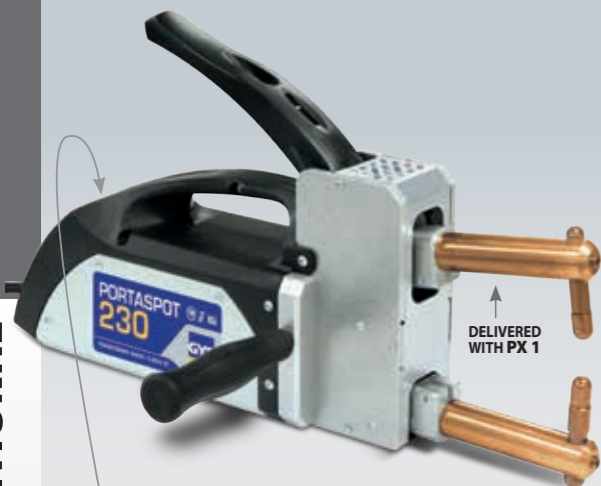
BODYPROTECT

PORTASPOT 230

**6 300 A** 120 daN

Air cooled

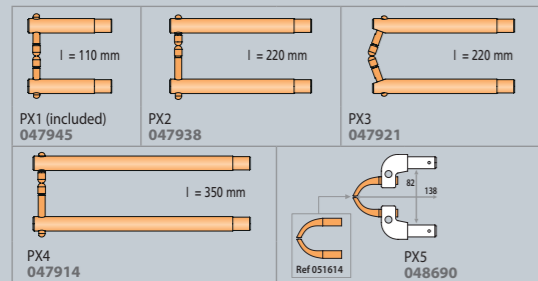
230V  
022256



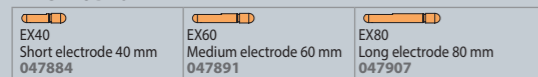
DELIVERED WITH PX 1



ARMS Ø 23 mm



ELECTRODES



CAPS & ACCESSORIES

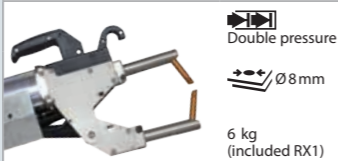


50/60 Hz	AM	RMS	MAX	mm	Uo	Cable	100% CU	(no arm) cm	kg	
1 x 230V	16(D)	6 300	8 900	2+2	2,45	2,5	3x2,5 H05VVF	OK	36x29 x10	10

GYSPOT

**32D-X**

**7 500 A** 500 daN



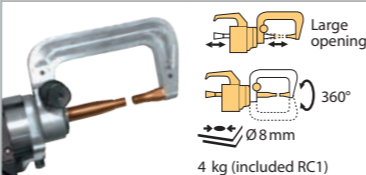
Air cooled

2 x 400V  
019881

GYSPOT

**32D-C**

**7 500 A** 300 daN



Air cooled

2 x 400V  
019898



GYSPOT INVERTER

**100R-X**

**10 000 A** 500 daN

For mild steel, HSS, UHSS



Air cooled

Traceability software  
Save spot welding configuration and export data

3 x 400V  
019911

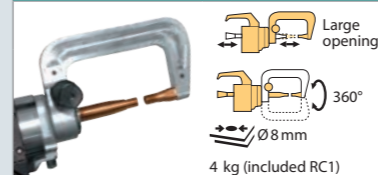


GYSPOT INVERTER

**100R-C**

**10 000 A** 300 daN

For mild steel, HSS, UHSS



Air cooled

Traceability software  
Save spot welding configuration and export data

3 x 400V  
019928

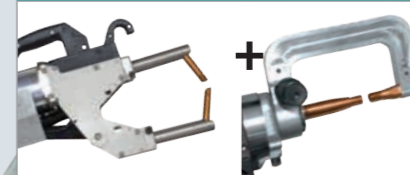


GYSPOT INVERTER

**100R-CX**

**10 000 A** 500 daN (X)  
300 daN (C)

For mild steel, HSS, UHSS



Air cooled

Traceability software  
Save spot welding configuration and export data

3 x 400V  
022317

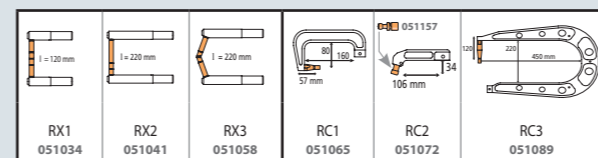
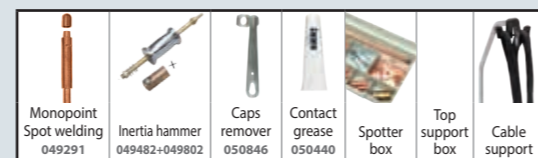


OPTIONS



INCLUDED

Model	019881	019898	019911	019928	022317
32D-X	■	■	■	■	■
32D-C	■	■	■	■	■
100R-X	■	■	■	■	■
100R-C	■	■	■	■	■
100R-CX	■	■	■	■	■ x2



MADE IN FRANCE	62135	50/60 Hz	A	A	A	mm	Uo	Cables			100% CU	cm	kg
								Air Cooled	mm <sup>2</sup>	cm			
GYSPOT 32D.X GYSPOT 32D.C	2 x 400V	40 (D)	7 500	10 500	3 + 3	1,2 + 3	11	2,2	200	55 x 75 x 190	OK	78	
								2,5	150	70 x 99 x 208			
GYSPOT 100R.X GYSPOT 100R.C GYSPOT 100R.CX	3 x 400V	40 (D)	10 000	—	3 + 3 + 3	1,5 + 3	16	2,5	200	107	OK	108	
								2,5	150	95.5			

**GYSPOT INVERTER  
BP-LX**

**13 000 A**  
550 daN

For mild steel, HSS, UHSS **Boron steel**  
 Double pressure  
 Ø 10 mm  
 6,5 kg (included X1)

**Liquid cooled**  
**BP BODYPROTECT**  
 Unique electro-magnetic field protection by GYS

**Traceability software**  
 Save spot welding configuration and export data

019652



	019652	058804
	<b>400V</b>	
Monopoint/Spot 049291		
Spotter box pro (p.17) 050075		
Inertia hammer 049482 + 049802		
X1 050501		
X4A (x2) + X4B + X4C + X2 020733		
Liquid cooling (10) 052246		(x3)

**GYSPOT INVERTER  
BP-LC-s7**

**13 000 A**  
550 daN

For mild steel, HSS, UHSS **Boron steel**  
 Double pressure  
 Ø 10 mm  
 6,5 kg (included C1)

**Liquid cooled**  
**BP BODYPROTECT**  
 Unique electro-magnetic field protection by GYS

**Automatic C clamp**  
 Energy Dynamic Control

**Traceability software**  
 Save spot welding configuration and export data

020757



	020757	058798
	<b>400V</b>	
Monopoint/Spot 049291		
Spotter box pro (p.17) 050075		
Inertia hammer 049482 + 049802		
Contact grease 050440		
Caps remover 050846		
Arm panel		
C1 019140		
C2 + C3 + C4 019126		
C6 019775		
Liquid cooling (10) 052246		(x3)

Included  
 Support haute stabilité  
 -High stability support  
 Compatible gyro  
 +



**OPTIONS**

<p>050068</p> <p>x10 (x20: 052239) x18 (x6: 049987)</p> <p>x6 (x6: 049994) x18 (x6: 049970)</p> <p>048935 x40 (x6: 049987)</p>	<p>SD CARD 050914</p>	<p>Liquide de refroidissement                  Cooling liquid                  Kühlmittel                  Enfriamento líquido                  Refrigeração líquida</p> <p>052246</p>	<p>Housse de protection                  - Protection cover                  - Schutzhaube</p> <p>050853</p>
--	-----------------------	--	--

MADE IN FRANCE 62135	50/60 Hz	+AM+	RMS	Uo	mm		Cables			100 % CU	cm	kg	
					↔	T	Liquid / Air Cooled	↔ m	Ø mm <sup>2</sup>				
<b>GYSPOT BPLX</b>	3 x 400V	40 (D)	13 000	16	3 + 3 + 3	1,5 + 3		Liquid	2,5	200	OK	65 x 80 x 205	150
<b>GYSPOT BPLC-s7</b>								Air	2,5	150			

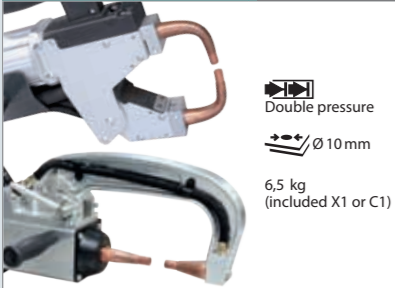
GYSPOT BODYPROTECT LIQUID COOLED



**GYSPOT INVERTER**  
**BP-LCX-s7**

**13 000 A**  
550 daN

For mild steel, HSS, UHSS Boron steel



Double pressure  
Ø 10 mm  
6,5 kg  
(included X1 or C1)

Liquid cooled

**BP** BODYPROTECT  
Unique electro-magnetic field protection by GYS

**EDC** Automatic C clamp  
Energy Dynamic Control

Traceability software  
Save spot welding configuration and export data

020764

**OPTIONS**



GYRO 360° for BP-LCX  
051737  
10-14 kg



Included  
Support haute stabilité  
+High stability support  
Compatible gyro  
+

**OPTIONS**

050068 x10 (x20: 052239) x6 (x6: 049994)	x18 (x6: 049987) x18 (x6: 049970)	SD CARD 050914	Liquide de refroidissement Cooling liquid Kühlmittel Enfriamento líquido Refrigeración líquida	050853 Housse de protection - Protection cover - Schutzhaube for BP & PTI	052246 Liquid cooling (10l) 052246
--	--------------------------------------	----------------	--	---	--

**GYSPOT INVERTER**  
**EVOLUTION PTI**

**14 500 A**  
550 daN

For mild steel, HSS, UHSS Boron steel



16 > 25 A  
Double pressure  
Ø 10 mm  
9,9 kg  
(included C1)

**TRANSFORMER INSIDE**

Liquid cooled

**EDC** Automatic C clamp  
Energy Dynamic Control

Traceability software  
Save spot welding configuration and export data

020894

	4M 022188	4M 020894	4M 058811
	6M 022195	6M 020900	

	220V	400V
--	------	------

Contact grease 050440			
Caps remover 050846			
Arm panel			
			(x3)



Very light  
**9,9 kg**



MADE IN FRANCE 62135	50/60 Hz	A	RMS	Uo	mm	Cables			100% CU	cm	kg
						3+3+3	1,5+3	2,5 m, Ø 200 mm <sup>2</sup> , liquid			
<b>GYSPOT BP.LCX-s7</b>	3 x 400V	40 (D)	13 000	16				8 m, 4x6 H07RNF (BP 220V: 4x6AWG)	OK	65 x 80 x 205	170
<b>GYSPOT BP.LCX-s7 220 V</b>	3 x	200 208 220 240	10 500 11 000 12 000 12 500	15 15,5 17 18	3+3+3	1,5+3	2,5 m, Ø 200 mm <sup>2</sup> , liquid	8 m, 4x4 H07RNF	OK	65 x 80 x 230	91
<b>GYSPOT EVOLUTION PTI-s7</b>	3 x 400V	25 (D) 40 (D)	14 500 11 500	8			4 m, liquid 6 m, liquid	OPTION 051010: 1,5 m, Ø 200 mm <sup>2</sup>	OK	65 x 80 x 230	91
<b>GYSPOT EVOLUTION PTI-s7 220 V</b>	3 x	200 208 220 240	14 500A 13 000 14 500 14 500	6,95 7,2 8 8,3	3+3+3	1,5+3	4 m, liquid 6 m, liquid	8 m, 4x4 H07RNF (500W)	OK	65 x 80 x 230	91

**GYSPOT INVERTER  
BP-LG**

**13 000 A**  
550 daN

For mild steel, HSS, UHSS **Boron steel**



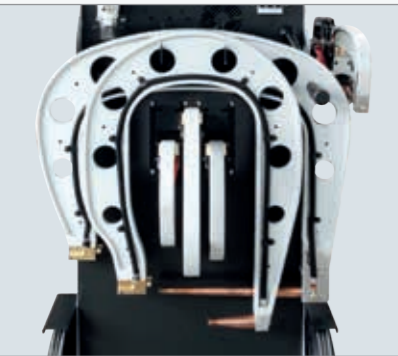
**Liquid cooled**

**BP BODYPROTECT**  
Unique electro-magnetic field protection by GYS

**EDC Automatic C clamp**  
Energy Dynamic Control

**Traceability software**  
Save spot welding configuration and export data

023451



	023550	023451	023499
Gyspot BP-LG	<b>220V</b>	<b>400V</b>	
Monopoint/Spot 049291	■	■	■
Spotter box pro (p.17) 050075	■	■	■
Inertia hammer 049482 + 049802	■	■	■
Caps remover 050846	■	■	■
Arm support	■	■	■
G1 022768	■	■	■
G2 + G3 + G4 022898	■	■	■
Liquid cooling (10l) 052246	■	■	■



MADE IN FRANCE 62135	50/60 Hz	A	A	V	mm		Cables			100% CU	cm	kg
					U <sub>o</sub>	U <sub>o</sub>	2,5 m, Ø 200 mm <sup>2</sup> , Liquid	2,5 m, Ø 150 mm <sup>2</sup> , air	8 m 4x16 mm <sup>2</sup> (6AWG) 500W			
<b>GYSPOT BPLG 220 V</b>	3 x	200 208 220 240	<b>10 500</b> <b>11 000</b> <b>12 000</b> <b>12 500</b>	15 15,5 17 18	3 + 3 + 3	1,5 + 3	2,5 m, Ø 200 mm <sup>2</sup> , Liquid	2,5 m, Ø 150 mm <sup>2</sup> , air	8 m 4x16 mm <sup>2</sup> (6AWG) 500W	OK	65 x 80 x 205	160
<b>GYSPOT BPLG 400V</b>	3 x 400V	<b>32/40/50</b> (D)	<b>13 000</b>	16	3 + 3 + 3	1,5 + 3	2,5 m, Ø 200 mm <sup>2</sup> , Liquid	2,5 m, Ø 150 mm <sup>2</sup> , air	8 m 4x6 mm <sup>2</sup> H07RN-F	OK	65 x 80 x 205	160

**NEW GENIUS**

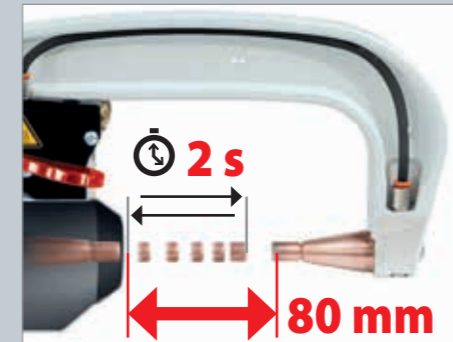
**ULTRA LIGHT & COMPACT**  
6.1 kg (Gyro & G1 included)

550 daN

LIQUID COOLED  
REFROIDISSEMENT  
LIQUIDE



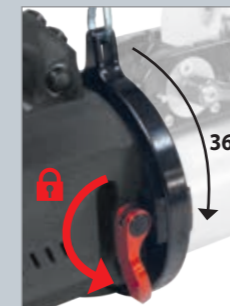
MADE IN FRANCE



**FAST OPEN XL**



**EASY**



**GYRO INTEGRATED**



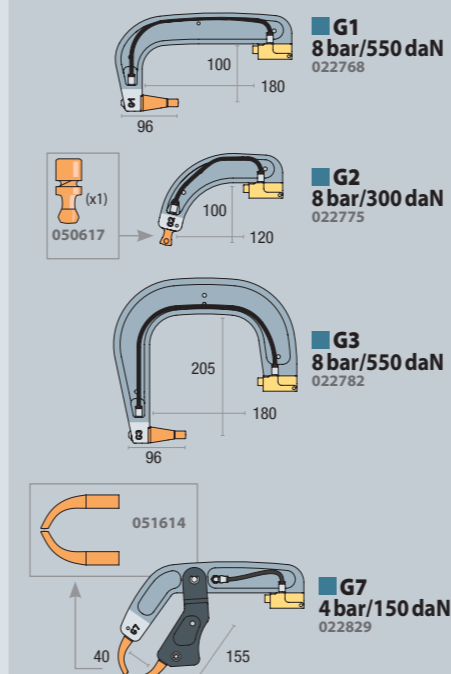
**PERFECT ELECTRICAL CONNECTION**



**AUTO**

G Arms - Caps Ø13 mm

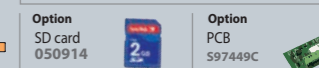
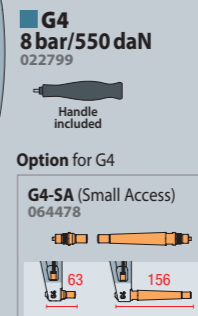
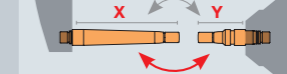
Bras isolés - Isolated arms - Isolierte Bügel



Arm panels

G2 + G3 + G4 022898 | G2 + G3 + G5 063297

Reversible for G4, G5 & G8



GYSPOT BP GENIUS  
LIQUID COOLED



# UNIVERSAL CARBODY RIVETING SYSTEMS PNEUMATIC HYDRAULIC 8T/10T

**GYPRESS 8T**

8 bar 80 kN

**8 t**

053861

Discover it on Youtube

**RENAULT**  
77 11 382 905  
www.renault-equipment.com

**ALPINE**

HR15  
054219

Compatible **Gyspress 8t**



**HYDRAULIC SYSTEM**  
fermé - closed - geschlossen

**UNIQUE 100%**

**No air inclusion**  
maintenance free, no oil refill

**CONTRÔLE DE LA VITESSE**  
- Speed control - Regelung Werkzeuggeschwindigkeit

**GYPRESS 10T**

6.5 bar 100 kN

**10 t**

063303

**NEW**

**LEVIER DE DÉCHARGE**  
- Discharge lever - Auslösehebel

**POWER**

**10 t**

HR110  
063310

Compatible **Gyspress 8t** **Gyspress 10t**



**HYDRAULIC SYSTEM**  
fermé - closed - geschlossen

**UNIQUE 100%**

**No air inclusion**  
maintenance free, no oil refill

**INCLUDED**

<b>GYPRESS 8T</b>	Standard 8T tool box (2 clés + centreur inclus) (2 keys + special center punch included) 053694	HR15 054219	Rallonge pour - Extension for HR15 & HR2 057111	6 x 50 rivets RAP - Nieten SPR 048706	HR arm locker Strap - Sangle - Gurt Poignée - Handle - Griff
<b>GYPRESS 10T</b>	Standard 8T tool box (2 clés + centreur inclus) (2 keys + special center punch included) 053694	HR110 063310	Rallonge pour - Extension for HR110 & HR210 058644	6 x 50 rivets RAP - Nieten SPR 048706	

**OPTION**

**Capteur d'effort**  
062115

for: **Gyspress 8t** **Gyspress 10t**

**RIVETS AUTOPERÇANTS (RAP) - Self piercing rivets (SPR) - Stanznieten**

Steel - Acier - Stahl

Complete box	048706							
Ø 3,3 x 3,5 mm x 50	Ø 3,3 x 4 mm x 50	Ø 5,3 x 4 mm x 50	Ø 5,3 x 5 mm x 50	Ø 5,3 x 6 mm x 50	Ø 5,3 x 8 mm x 50	Ø 5,3 x 7 mm	Ø 5,3 x 9 mm	
x 200 048232	x 200 048249	x 100 048256	x 100 048263	x 100 048270	x 100 048225	x 100 048638	x 100 048645	

	MADE IN FRANCE	AIR BAR	PRESSURE CONTROL	SPEED CONTROL				
		cm	kg	cm	kg			
<b>GYPRESS 8T</b>		8 bar = 8 t (maxi 10 bar)	0 > 8 bar		38 x 140	5 (HR15 included)	58 x 48 x 15	11
<b>GYPRESS 10T</b>	<b>NEW</b>	6.5 bar = 10 t (maxi 10 bar)	0 > 6.5 bar		39.5 x 180	5.8 (HR110 included)	58 x 48 x 15	11.8

## GYPRESS COMPLETE PACKS



GYPRESS 8T		053861						055391	
pack GYPRESS 8T 058675	•	HR arm locker + Strap - Sangle - Gurt + Poignée - Handle - Griff	Standard 8T tool box 053694	6 x 50 rivets - Nieten RAP/SPR Acier/Steel/Stahl 048706	HR1S 054219	HR2 053878	HR3 053885	Support - Supportständer ↳ 28 x 40 x 21,5 cm 054158	Chariot-Trolley ↳ 51 x 82 x 74 cm 054233
GYPRESS 10T		053861						055391	
pack GYPRESS 10T 064744 <b>NEW</b>	•	HR arm locker + Strap - Sangle - Gurt + Poignée - Handle - Griff	Standard 8T tool box 053694	6 x 50 rivets - Nieten RAP/SPR Acier/Steel/Stahl 048706	HR110 063310	HR210 063327	HR310 063334	Support - Supportständer ↳ 28 x 40 x 21,5 cm 054158	Chariot-Trolley ↳ 51 x 82 x 74 cm 054233
GYPRESS 8T PUSH PULL		056893						055391	
pack GYPRESS 8T PUSH PULL 058682	•	HR arm locker + Strap - Sangle - Gurt + Poignée - Handle - Griff	Standard 8T Push Pull tool box 058361	6 x 50 rivets - Nieten RAP/SPR Acier/Steel/Stahl 048706	HR1S 054219	HR2 053878	PP HR3 058903	Support - Supportständer ↳ 28 x 40 x 21,5 cm 054158	Chariot-Trolley ↳ 51 x 82 x 74 cm 054233

## KITS BRAS DE RIVETAGE - Riveting arms kits

**KIT HR2 + HR3**  
053892

Gyspress  
8t

**KIT HR210 + HR310**  
064089

Gyspress  
10t

**KIT PP HR2 + HR3**  
058910

Gyspress  
8t Push Pull

## COMPATIBILITÉ DES BRAS GYPRESS - GYPRESS arms compatibility

	HR1S 054219	HR2 053878	HR3 053885	HR110 063310	HR210 063327	HR310 063334	PP HR3 058903
			included 057128			included 058637	included 058637
GYPRESS 8T	included 057111	■	■	■	■	+ extension 057128	—
GYPRESS 10T	included 058644	—	—	■	■	■	—
GYPRESS 8T PUSH PULL	included 058644	■	—	■	■	■	■

## CHARIOT - Trolley

Support Riveteuse pour changements d'accessoires (bras & matrice)  
- Riveting machine support for changing accessories (arms & dies)  
- Supportständer  
↳ 28 x 40 x 21,5 cm  
054158

Chariot+Support -Trolley+Support  
↳ 51 x 122 x 74 cm  
055391

Chariot-Trolley  
↳ 51 x 82 x 74 cm  
054233

Gyspress  
8t

Gyspress  
10t

Gyspress  
8t Push Pull

## CAPTEUR D'EFFORT

062115

Gyspress  
8t

Gyspress  
10t

Gyspress  
8t Push Pull

## GYPRESS

# UNIVERSAL CARBODY RIVETING SYSTEMS

## 8T PUSH PULL

GYPRESS 8T PUSH PULL

8 bar 80 kN

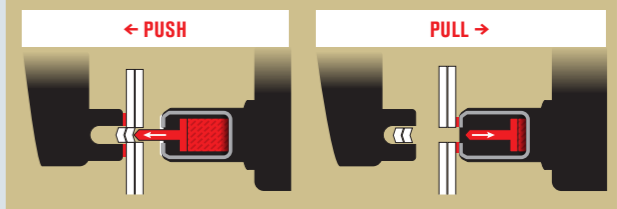
**8 t**

056893

Discover it on Youtube



## Unique Push Pull system by GYS



## CONTRÔLE DE LA PRESSION

- Pressure control - Druckregelung



## CONTRÔLE DE LA VITESSE

- Speed control - Regelung Werkzeuggeschwindigkeit



## SÉLECTION PUSH/PULL - Push/Pull selection



### INCLUDED

Standard 8T PushPull tool box  
(2 clés + centreur inclus)  
(2 keys + special center punch included)  
058361

HR1S  
054219

HR arm locker

Strap - Sangle - Gurt

Poignée - Handle - Griff

6 x 50 rivets - Nieten RAP/SPR  
ACIER / STEEL / STAHL 048706

Ø 3,3 x 3,5 mm	Ø 5,3 x 4,0 mm
Ø 3,3 x 4,0 mm	Ø 5,3 x 5,0 mm
	Ø 5,3 x 6,0 mm
	Ø 5,3 x 8,0 mm



MADE IN FRANCE	AIR BAR	PRESSURE CONTROL	SPEED CONTROL	↕	⬆️	↕	⬆️
				cm	kg	cm	kg
<b>GYPRESS 8T PUSH PULL</b>	8 bar = 8 t (maxi 10 bar)	0 > 8 bar	↕	39,5 x 180	5,8 (HR1S included)	58 x 48 x 15	11,7

RIVETING SYSTEM







**GYPRESS 8T ET PUSH PULL : ADAPTATEUR 20kN POUR RIVETS AVEUGLES - BLIND RIVET ADAPTER 20kN**

Pour rivets  
ALU Ø 4.0 / 7.8  
ACIER Ø 4.0 / 6.4  
**max 20 kN (8 bar)**  
1.5 kg

Rivets POP - BLIND rivets - Blindniet

Specific storage

360°

HIGH ACCESSIBILITY

150 mm

104 mm Ø 37mm

Gyspress 8t

Gyspress 8t Push Pull

For standard rivets included (x1)  
Ø 3.2 059221  
Ø 3.6 059238  
Ø 4.0 059245  
Ø 4.5 059252

included (x3) 058446

**20 kN 600 mm** 061576

Gyspress 8t Gyspress 8t Push Pull

600 mm

**20 kN 150 mm** 059214

Gyspress 8t Gyspress 8t Push Pull

150 mm

**GYPRESS 8T, 10T ET PUSH PULL : ADAPTATEUR 24kN POUR RIVETS AVEUGLES - BLIND RIVET ADAPTER 24kN**

**24 kN 600 mm** 063822

Gyspress 8t Gyspress 10t Gyspress 8t Push Pull

NEW

Pour rivets  
ALU Ø 4.0 / 7.8  
ACIER Ø 4.0 / 6.4

Rivets POP - BLIND rivets - Blindniet

600 mm

360°

For standard rivets included (x1)  
Ø 3.2 059221  
Ø 3.6 059238  
Ø 4.0 059245  
Ø 4.5 059252

included (x3) 058446

OPTION

NEW

Buse pour extraction de rivets RAP Ø4 - Extraction nozzle for Ø4 RAP rivets 064683

SPÉCIAL ARRACHAGE DE RIVETS - Special tearing rivets - Spezielle Reißnieten

**ARC PULL RIVET BOX**

064584

NEW

Pour pistolet ARC PULL - For ARC PULL gun

Tige inox - Stainless steel nail Ø 4 x 50 mm	Canon pour pose de tige inox - Barrel for stainless steel nail welding	Support porte-goujon - Mandrel support	Buse + patin pour pistolet Arc Pull - Nozzle + pad for Arc Pull gun	Mandrin M4 - Mandrel M4
x 100	x 1	x 1	x 1	x 2
064607	064614	059634	059641	049000

1

2

**RIVETEUSE MANUELLE - Manual tool for blind rivets - Manueller Blindnietgerät**

Rivets POP - BLIND rivets - Blindniet

Pour rivets  
Ø 3.2/4.0/4.8/6.0/6.4 mm  
(Acier/Alu - Steel/Alu)

061323

Made in Taiwan

**RIVETEUSE HYDRO-PNEUMATIQUE - Hydropneumatic tool for blind rivets - Hydro-pneum. Blindnietgerät**

HR9

Rivets POP - BLIND rivets - Blindniet

Pour rivets  
Ø 3,2/4,0/4,8 mm  
(Acier/Alu - Steel/Alu)  
**max 9 000 N**

057234

Made in Taiwan

**MINI RIVETEUSE SANS FIL - Cordless riveter - Akku-Blindnietgerät**

Pour rivets  
Ø 3.2 & Ø 4.0 mm  
(Ø 4.8 mm alu)  
10.8V - 2 Ah Li-ion battery  
1.16 kg  
**max 11 000 N**

057968

Contrôle variable de la vitesse - Balais remplaçables.  
↳ 247 x 52 x 190 mm  
↳ 345 x 280 x 90 mm

Variable speed switch

Replaceable carbon brush

53525

Made in Taiwan

**RIVETEUSE HYDRO-PNEUMATIQUE - Hydropneumatic tool for blind rivets - Hydro-pneum. Blindnietgerät**

HR14

Rivets POP - BLIND rivets - Blindniet

Pour rivets  
Ø 4,0/4,8/6,4 mm  
(Acier/Alu - Steel/Alu)  
**max 14 000 N**

057241

Made in Taiwan

**RIVETEUSE SUR BATTERIE - Cordless riveter - Akku-Blindnietgerät**

TWO ER20

Ecrous à sertir étoilés - Star sealing nuts - Blindnietmuttern

Rivets POP - BLIND rivets - Blindniet

Rivets Ø 4.0 / 4.8 / 5 / 6 / 6.4 mm  
**max 20 000 N (6 bar)**  
10-20 V universal fast charger (30 min)  
2.0 kg

064461

2x 20V/2Ah Li-ion battery

NEW

Made in Italy

**RIVETEUSE HYDRO-PNEUMATIQUE - Hydropneumatic tool for blind rivets - Hydro-pneum. Blindnietgerät**

HR21

Rivets POP - BLIND rivets - Blindniet

Pour la pose de rivets de structure  
livré avec kit pour pose de rivets Ø 4,8 à Ø 7,8 mm

**max 21 000 N (6 bar)**

055407

included (x3) 058446

Option HR21 extension 100 mm 063105

MADE IN ITALY

**SERTISSEUSE HYDRO-PNEUMATIQUE RIV 998 - Hydropneumatic tool for rivet nuts - Hydro-pneum. Blindnietmutterngerät**

RIV 998

Ecrous à sertir - Sealing nuts - Blindnietmuttern

Pour la pose d'écrous à sertir M4 à M12  
livré avec accessoires pour écrous à sertir M4 à M12

**max 19 000 N (6 bar)**

055414

MADE IN ITALY

**PISTOLET À COLLE SANS FIL - Cordless caulking glue gun - Akku-Kartuschenpresse**

057975

Speed : > 10 mm/s  
Capacity : 400 ml  
14.4V - 2 Ah Li-ion battery  
2.75 kg  
↳ 465 x 130 x 275 mm  
↳ 535 x 305 x 156 mm

53528

**15 A → 200 A**  
Ideal 0,6 mm

**CAPACITOR INSIDE → PERFECT WELD**  
M1GYS AUTO, M3GYS AUTO

Without Capacitor      With Capacitor

**ENERGY SAVING**

**CARMIG**      400V 3~



**TORCHE MOTORISÉE SPOOL GUN - Spool Gun Torch**  
- Spool Gun Brenner



**041486**

Ø 100

Ideal for  
- Acier / Steel / Stahl  
- Inox / Stainless steel  
- Alu

4m

included 045699



**M1GYS AUTO**      230V 1~      **CAPACITOR INSIDE**

- with accessories:
- 230V 1~      032903
  - 208/240V 1~      032088

**T1GYS AUTO**      400V 3~

with accessories: 032910

**T1GYS AUTO DV**      230V 3~/400V 3~

with accessories: 032927

Ø 300 mm / 200 mm      OR OPTION      Ø 100 mm

ACCESSORIES BOX

400V 3~

041424

**OPTIONS**

**MB 15 (150A)**      041226

OPTIMAPRO 30L/min (FR) 041998 (UK) 040274 (NL) 040267 (IT) 038691

30L/min (FR) 043619 (UK) 043626 (DE) 043633 (NL) 043640

30L/min (FR) 041622 (UK) 041646 (DE) 041219 (NL) 041615 (IT) 038707

041332

**T3GYS & M3GYS:**  
Housse de protection - Protection cover - Schutzhaube

052260

041806



**M3GYS AUTO**      230V 1~      **CAPACITOR INSIDE**

- with accessories:
- 230V 1~      032880
  - 208/240V 1~      032897

**T3GYS AUTO**      400V 3~

with accessories: 032958

**T3GYS AUTO DV**      230V 3~/400V 3~

with accessories: 032972

**100% READY**

Ø 100 mm

+

Ø 200 mm

+

Ø 300 mm / 200 mm

038554

059276

**Protection gas**  
Argon+Co. (Steel, Inox)  
Argon (ALU/CuSi3/CuAl8)  
Co\_PUR

MADE IN FRANCE	MADE IN GYS CHINA	NORM. 60974/1	50/60 Hz	A	min → max	Reg	100 (spoolgun) 200 300	Electronic Control	EN60974-1 (40°C)		Ø mm	Equipment d'origine Original equipment Equipamiento de fabrica	cm/kg	Protected & compatible power generator (+/-15%)	
									IA (60%)	X% (I2 max)					
		<b>CARMIG</b>	400V 3~	10	15 → 200	7	-	electronic	110	150A@25%	0,6+1	0,6/0,8	0,8	47x77x79 / 50	5 kVA
		<b>M1GYS AUTO</b>	230V 1~ 208/240V 1~	16	15 → 160	6	option	400V 3~	90	140A@15%	0,6+1	0,6/0,8	0,8	47x77x79 / 46	4,5 kVA
		<b>T1GYS AUTO</b> <b>T1GYS AUTO DV</b>	400V 3~ 230V 3~/400V 3~	10	15 → 200	7	option	400V 3~	110	150A@25%	0,6+1	0,6/0,8	0,8	47x77x79 / 52	5 kVA
		<b>M3GYS AUTO</b>	230V 1~ 208/240V 1~	16	15 → 160	6	-	400V 3~	90	140A@15%	0,6+1	0,6/0,8 0,8/1,0	2 x 0,8	60x90x90 / 58	4,5 kVA
		<b>T3GYS AUTO</b> <b>T3GYS AUTO DV</b>	400V 3~ 230V 3~/400V 3~	10	15 → 200	7	-	400V 3~	110	150A@25%	0,6+1	0,6/0,8 0,8/1,0	2 x 0,8	60x90x90 / 75	5 kVA



**SYNERGIC - EASY TO USE**

Réglage automatique de la vitesse \ Auto adaptative wire speed  
Automatische Einstellung der Drahtgeschwindigkeit

PATENTS REGISTERED NUMBERS  
EUROPEAN TRADEMARK & DESIGN

2 x 4 m<sup>3</sup> (20L)

ACCESSORIES BOX

câble secteur - mains cable 6m

Échantillons de tôles - Sheets set

Acier/Steel 0,8 (x65) + 1 (x55) + 1,5 (x35) + 2 (x25)  
+ Alu 1 (x45) + 1,5 (x30) + 2 (x20)  
055841





# GMAW MIG/MAG INVERTER • SYNERGIC

**4 in 1**

GAS	NO GAS
MMA	TIG

**1 MIG / MANUAL**  
Enter your parameters

**2 MIG / SYNERGIC**  
Easy to use

Select:

1. material	Fe	CrNi
2. Ø wire	AlMg5	CuSi3
3. position	AlSi5	AlSi12
4. thickness	CuAl8	F.C.

**3 MMA**

**4 TIG lift**



MULPEARL 200-2

**200 A** ⚡ ⚡ ⚡ ⚡ ⚡ ⚡ ⚡ ⚡ ⚡ ⚡

P400 PFC FV SR

GAS NO GAS MMA TIG

3m 2.5 m, 16 mm² 2 m, 16 mm²

031944

MULPEARL 200-4 XL

**200 A** ⚡ ⚡ ⚡ ⚡ ⚡ ⚡ ⚡ ⚡ ⚡ ⚡

P400 PFC FV SR

GAS NO GAS MMA TIG

3m 2.5 m, 16 mm² 2 m, 16 mm²

031791

MULPEARL 201-4

**200 A** ⚡ ⚡ ⚡ ⚡ ⚡ ⚡ ⚡ ⚡ ⚡ ⚡

P400 PFC FV SR

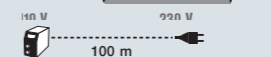
GAS NO GAS MMA TIG

3m 2.5 m, 16 mm² 2 m, 16 mm²

031821

**PFC POWER FACTOR CORRECTION**

185V ↔ 265 V

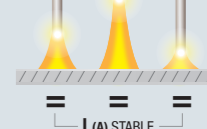


**FV FLEXIBLE VOLTAGE**

85 V ↔ 265 V



**SR SECONDARY REGULATION**



**NO GAS**

KIT SOUDAGE NO GAZ Ø 0.9  
- No Gas Welding Kit Ø 0.9  
- Schweißset Fülldraht

TYPE A  
MultiPearl 200-2 only  
041240

**TIG torch kit SR17 V (valve)**  
4 m  
10/25 mm²  
044425

**TIG torch kit SR17 DB**  
4 m  
046108

EURO

MADE IN FRANCE EN60974-1	50/60 Hz	I <sub>1</sub> A	I <sub>2</sub> MMA A	I <sub>2</sub> TIG A	min → max A	EN60974-1 (40°C)		U <sub>o</sub> (V)	MIG			GAS	NO GAS	MMA	Equipment d'origine Original equipment Equipamiento de fabrica	TYPE	cm	kg	Protected & compatible power generator (+/-15%)		
						IA (60%)	X% (I <sub>2</sub> max)		Electronic Control	m/min	max									100	200
MULTIPEARL 200-2	110V 1~	32	10 → 130	10 → 180	20 → 150	110	150 A @ 22%	85	15	■	■	—	0.6 → 1.0	0.9 → 1.2	1.6 → 3.2 1.6 → 5.0	0.6/0.8	A 042339	0.8	52.5x 47.5 x32	19	7.5 kW
	230V 1~	13	10 → 200	10 → 200	20 → 200	135	200 A @ 20%	85	15	■	■	—	0.6 → 1.0	0.9 → 1.2	1.6 → 3.2 1.6 → 5.0	0.6/0.8	B 042353	0.8	69x65.5 x38.5	25.5	7.5 kW
MULTIPEARL 200-4 XL	110V 1~	32	10 → 130	10 → 180	20 → 150	110	150 A @ 22%	85	15	■	■	■	0.6 → 1.0	0.9 → 1.2	1.6 → 3.2 1.6 → 5.0	0.6/0.8	B 042353	0.8	78.5x68 x30	38	7.5 kW
	230V 1~	13	10 → 200	10 → 200	20 → 200	135	200 A @ 20%	85	15	■	■	■	0.6 → 1.0	0.9 → 1.2	1.6 → 3.2 1.6 → 5.0	0.6/0.8	B 042353	0.8	78.5x68 x30	38	7.5 kW

# GMAW MIG/MAG

## INVERTER DOUBLE PULSE

- PROCESSES :
- Standard
  - Pulse
  - Pulse in Pulse
  - Manual
  - Cold Pulse

Latest generation colour screen 5" / 800 x 480 (WVGA)

Fully DIGITAL

4 MICROPROCESSORS

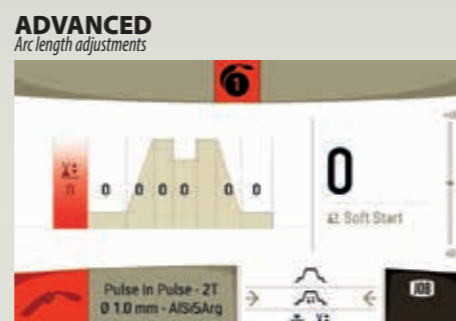
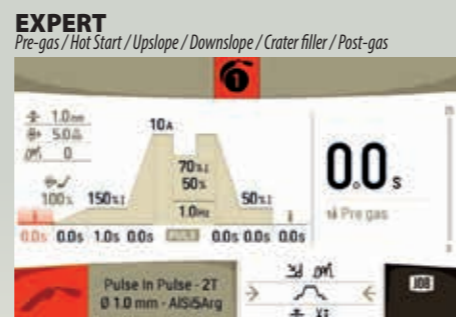
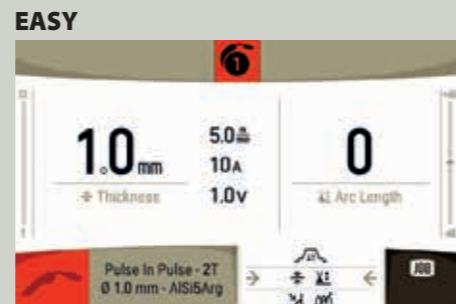


STEEL	EASY USB UPDATE USB key 16 Gb 062344
Cu Si 3 / Cu Al 8	
ALU	

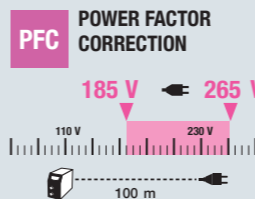
### 65 SYNERGIES

	Standard			Pulse/Pulse in Pulse			Cold Pulse
	Ø0.8	Ø1	Ø1.2	Ø0.8	Ø1	Ø1.2	Ø1
Fe Ar 18 CO <sub>2</sub>	✓	✓	-	✓	✓	-	-
Al Mg 3 Ar	✓	✓	✓	✓	✓	✓	-
Al Mg 5 Ar	✓	✓	✓	✓	✓	✓	-
Al Si 5 Ar	Push Pull	✓	✓	Push Pull	✓	✓	-
Al Si 12 Ar	Push Pull	✓	✓	Push Pull	✓	✓	-
Cr Ni 308 Ar 2 CO <sub>2</sub>	✓	✓	-	✓	✓	-	-
Cr Ni 316 Ar 2 CO <sub>2</sub>	✓	✓	-	✓	✓	-	-
Cu Si 3 Ar	✓	✓	-	✓	✓	-	✓
Cu Al 8 Ar	✓	✓	-	✓	✓	-	-
Fe CO <sub>2</sub>	✓	✓	-	-	-	-	-

### 3 WELDING MODES

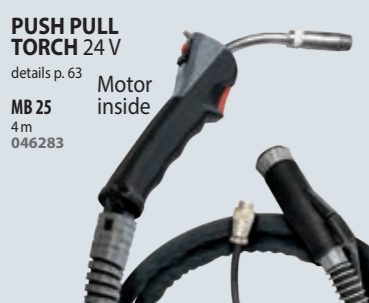


### Up to 500 JOBS can be saved



AUTOPULSE 220 M3	
15 <b>220 A</b>	PFC
230V 1~	036703
200>240V 1~	062481

AUTOPULSE 320 T3	
15 <b>320 A</b>	
400V 3~	036710
220V 3~	036970



### AUTOPULSE CONFIGURATIONS

AUTOPULSE 220-M3						
036703	4 m, 35 mm <sup>2</sup> 043817			CuSi 150 A, 3 m, air Ø 1.0	Steel 150 A, 3 m, air Ø 0.8	Alu 250 A, 3 m, air Ø 1.2
AUTOPULSE 320-T3 400V						
036710	4 m, 35 mm <sup>2</sup> 043817					
PACK 1 059184						
	4 m, 35 mm <sup>2</sup> 043817			Steel 250 A, 3 m, air Ø 1.0	Steel 250 A, 3 m, air Ø 1.0	Alu 250 A, 3 m, air Ø 1.0
						MB15/MB25 250A 037458
PACK 2 059191						
	4 m, 35 mm <sup>2</sup> 043817			Steel 250 A, 3 m, air Ø 1.0	Steel 250 A, 3 m, air Ø 1.0	Alu Push-Pull - MB25 - 4 m Ø 1.2
						MB15/MB25 250A 037458

MADE IN FRANCE	50 / 60 Hz	A	Ø mm	A	SPOOLGUN	PUSH/PULL	200	Cooling system	ELECTRONIC CONTROL	IA (60%)	X% (I2 max)	cm / kg	Protected & compatible power generator (+/-15%)
<b>AUTOPULSE 220-M3</b>	230 V - 1~	16	0.6+1.2	15+220	OPTION	OPTION	■	Air	ACIER : Type B 0.8 / 1.0 mm ALU : Type B 1.0 / 1.2	150	220 A @ 20%	88x93x63 / 69	10 kVA
<b>AUTOPULSE 320-T3</b>	400 V - 3~	16	0.8+1.2	15+320	OPTION	OPTION	■	Air	ACIER : Type C 0.8 / 1.0 mm ALU : Type C 1.0 / 1.2	260	320 A @ 35%	90x92,5x63 / 82.5	16 kVA
<b>AUTOPULSE 320-T3 220V</b>	200>240 V - 3~	25	0.8+1.2	15+320	-	OPTION	■	Air	ACIER : Type C 0.8 / 1.0 mm ALU : Type C 1.0 / 1.2	260	320 A @ 35%	88x93x63 / 74	16 kVA



# TEINTE/SHADE 5-9/9-13

EN 175-EN 379



ZEUS 5-9/9-13 G INDIAN  
038332



ERGOTECH 5-9/9-13  
SILVER  
044173



JUNON 5-9/9-13 RED  
037786



ZEUS 5-9/9-13 G FIRE  
044098



ERGOTECH 5-9/9-13  
BLACK  
045477



JUNON 5-9/9-13 BLUE  
037793



ZEUS 5-9/9-13 G COSMIC  
044104



ERGOTECH 5-9/9-13  
DREAM  
037212

**JUNON**

◀ 93 x 42 mm    ▶ 0.20 ms

GRIND + XL (•••) ×4

**BASIC**

**ZEUS**

◀ 100 x 67 mm    ▶ 0.20 ms

GRIND + XL (•••) ×4

**ERGOTECH**

◀ 100 x 67 mm    ▶ 0.20 ms

GRIND + XL (•••) ×4

**PRO**

APOLLO 5-9/9-13 G  
037809

◀ 100 x 67 mm    ▶ 0.15 ms

GRIND + XL (•••) ×4 PANORAMIC

**PANORAMIC**

SHADE 9-13

x4 (•••) ×4

4 SENSORS HIGH SENSITIVITY

GYSMATIC 9/13 G  
043909

◀ 100 x 60 mm    ▶ 0.08 ms

GRIND + XL (•••) ×4

XXL

SPACEVIEW 5-9/9-13  
040717

◀ 100 x 93 mm    ▶ 0.10 ms

GRIND + XL (•••) ×4

**EXPERT**

**OPTIONS**

Sac pour masque de soudage - Carry bag for helmet welding  
043299

Bandeau anti-transpiration - Antiperspirant - headband  
043466 x2

Loupe - Magnifying glass for Zeus, Spaceview, Ergotech & Alien True Color x1

zoom x2 042780

zoom x3 064140

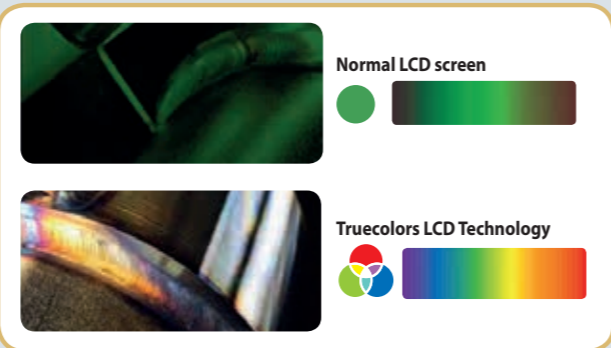
VERRES - Lenses - Schutzgläser

Model	Code	Size	Code	Code	Shade	Delay	HF	Delay	View	Sensors	Dimensions	Li-Mi	Filters	Mask Brand	Weight	Accessories	
JUNON	040816	96 x 50 (x5)	040854	040854	4-5>9/9>13	0.20 ms	—	0.25 & 0.7 s	1/1/1/2	2 HIGH SENSITIVITY	XL: 93x42 mm	✓	✓	Li-Mi + ☀	Multi	490 g	Toolit
ZEUS	043893	114 x 133 (x10)	043695	043695	4-5>9/9>13	0.20 ms	—	0.15 > 0.8 s	1/1/1/2	4	XL: 100x67 mm	✓	✓	☀ + 2 (CR 2450)	Multi	560 g	Toolit
ERGOTECH	043893	114 x 133 (x10)	043695	043695	4-5>9/9>13	0.20 ms	—	0.15 > 0.8 s	1/1/1/2	4 HIGH SENSITIVITY	XL: 100x67 mm	✓	✓	☀ + 2 (CR 2450)	Multi	560 g	Top Arc
APOLLO	043893	114 x 133 (x10)	043695	043695	4-5>9/9>13	0.15 ms	—	0.15 > 0.8 s	1/1/1/2	4 HIGH SENSITIVITY	XL: 100x67 + 2x103.7x69.5 mm	✓	✓	☀ + 2 (CR 2450)	Multi	495 g	Toolit
GYSMATIC 9/13 G	043893	114x133 (x10)	043886	043886	4-9>13	0.08 ms	✓	0.10>0.9 s	1/1/1/2	4 HIGH SENSITIVITY	100x60 mm	✓	✓	☀ + 2 (CR 2450)	Simple	580 g	Gys
SPACEVIEW	043893	114 x 133 (x10)	043596	043596	4-5>9/9>13	0.10 ms	—	0.15 > 0.8 s	1/1/1/2	4 HIGH SENSITIVITY	XXL: 100x93 mm	✓	✓	☀ + 2 (CR 2032)	Multi	540 g	Toolit

TEINTE/SHADE

5-9/9-13

TRUECOLOR EN 175-EN 379



LCD FIREMAN 9-13 TRUECOLOR  
062269

SHADE 9-13  
100 x 49 mm | 0.04 ms  
GRIND

PRO



GYSMATIC TRUECOLOR XL  
037908

100 x 60 mm | 0.08 ms  
GRIND + XL (x4) Class 1/1/1/1

XL



ALIEN TRUECOLOR XXL  
037229

100 x 90 mm | 0.15 ms  
GRIND + XXL (x4)

XXL



GYSMATIC TRUECOLOR XXL  
037236

100 x 83 mm | 0.10 ms  
GRIND + XXL (x4) Class 1/1/1/1  
DIGITAL

XXL



PANORAMIC TRUECOLOR 3XL  
037281

131 x 84 mm | 0.15 ms  
GRIND + XXXL (x4) Class 1/1/1/1  
PANORAMIC

PANORAMIC



TRUECOLORS

GYSMATIC TRUECOLOR 5/13 AIR XXL  
047846

Filtration class EN 12941: TH2 P R SL  
Air 165 / 200 / 220 L/min  
Battery included

- Battery charger 037472
- Battery included 037465
- x1 038424
- x5 038417

TORCHES ASPIRANTES - Fume Extraction Torches

**BINZEL**

AIR	150A	250A
	Acier/Inox - Steel/Stainless steel - Stahl/Edelstahl	
original equipment	M6	M6
X % 40°C - ArCo <sub>2</sub>	150A - 60%	200A - 60%
GRIP	GRIP	GRIP
L	3m	3m
Ref.	043251	040540

ASPIRATEUR DE FUMÉE - Fume Extraction System

**BINZEL**

- 230V / 1 ~, 1100 W
- 200 m<sup>3</sup>/h max
- 190 mbar max
- 26 kg, 390 x 210 x 500 mm
- 71 db
- Système de nettoyage automatique du filtre - Filter auto cleaning system - Automatische Filterabreinigung
- Automatic ON/OFF 043237
- Manual 043244

ASPIRATEURS DE FUMÉE - Fume Extraction Systems - Rauchgasabsauggerät

**SMOBIPLUS**

- 1500 m<sup>3</sup>/h
- 72 dB
- arm 3 m
- without main cable
- 230 V / 1 ~ / 50 Hz
- with plug 1 P + N + E 063075
- 120 V / 1 ~ / 60 Hz
- without plug
- with UL-CSA components 063082
- 400 V / 3 ~ / 50 Hz
- with plug 3 P + E 063068

**UNI 2.0 RE**

- 400 V / 3 ~ / 50 Hz
- 1100 W
- 1300 m<sup>3</sup>/h max
- 3-4h/day
- arm 3 m
- no plug
- 100 kg
- extraction 0.5 m/s

**EVO 2.1 RE**

- 230V / 1 ~ / 50 Hz - 32A
- 1100 W
- 1200 m<sup>3</sup>/h max
- occasional
- arm 3 m
- included
- 85 kg

Kit de filtres - Filter kit 063068

- Metal pre-filter
- Synthetic pre-filter
- main filtering panel
- Active carbon filter (5 kg)

Included Pré-filtre (treillis aluminium) - Pre-filter aluminium mesh Class G3 EN 779

Option Flexible d'extraction 10 m Ø 150 mm 062139

	TEINTE/SHADE	HF	DELAY	DIGITAL	CLASS	SIZE	WEIGHT	FEATURES	ACCESSORIES	BRAND	TOOLKIT			
LCD FIREMAN 9-13 TRUECOLOR	4-5>9/9>13	0.04 ms	—	0,15 > 0,8 s	1/1/1/2	—	2	100x49 mm	✓	—	Multi	490 g	Toolit	
GYSMATIC TRUECOLOR XL	4-5>9/9>13	0.08 ms	✓	0,1 > 0,9 s	1/1/1/1	—	4 HIGH SENSITIVITY	XL: 100x60 mm	✓	✓	☀ +2 (CR 2450)	Comfort	590 g	Gys
ALIEN TRUECOLOR XXL	4-5>9/9>13	0.15 ms	✓	0,15 > 0,8 s	1/1/1/2	—	4 HIGH SENSITIVITY	XXL: 100x90 mm	✓	—	☀ +2 (CR 2032)	Multi	560 g	Toolit
GYSMATIC TRUECOLOR XXL	4-5>9/9>13	0.10 ms	✓	0,1 > 0,9 s	1/1/1/1	✓	4 HIGH SENSITIVITY	XXL: 100x83 mm	✓	✓	☀ +2 (CR 2450)	Comfort Pro	590 g	Gys
GYSMATIC TRUECOLOR 5/13 AIR XXL	4-5>9/9>13	0.10 ms	✓	0,1 > 0,9 s	1/1/1/1	—	4 HIGH SENSITIVITY	XXL: 100x83 mm	✓	✓	☀ +2 (CR 2450)	Comfort Pro	590 g	Gys
PANORAMIC TRUECOLOR 3XL	3-4>8/8>12 + 2x: 3>10	0.15 ms	✓	0,15 > 0,8 s	1/1/1/1	—	4 HIGH SENSITIVITY	131x84 + 2x(67x75) mm	✓	—	☀ +2 (CR 2450)	Multi	610 g	Toolit

**VERRES - Lenses - Schutzgläser**

226 x 106 (x5)	045781	103.6 x 54 (x5)	040809
110 x 90 (x10)	040816	106 x 66 (x10)	043886
114 x 133 (x10)	043893	104 x 96 (x5)	043596
114 x 133 (x10)	043893	106 x 89,5 (x10)	046825
385 x 150 (x3)	037311	special kit (x5)	037304

**Sac pour masque de soudage - Carry bag for helmet welding**

043299

Bandeau anti-transpiration - Antiperspirant - headband 043466

Special Comfort Pro 062627

Loupe - Magnifying glass for Zeus, Spaceview, Ergotech & Alien True Color x1

zoom x2 042780

zoom x3 064140

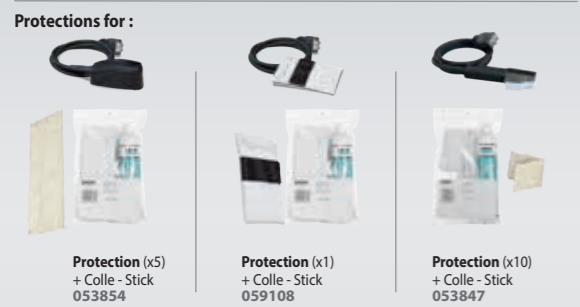
# INDUCTION HEATING

**GYS**  
**GYSDUCTION AUTO**  
**2 400 W**  
 PFC AIR



055490

**COMPLETE WITH**



**GYS**  
**POWERDUCTION 10R**  
**1 200 W**  
 AIR 062504



**NEW**

1 m

**included**

Spirale - Coil - Spiralförmiger draht Ø 18 mm 054806	Fil tressé enroulable - Flexible wrappable wire - Flexibel geflochtener draht 800 mm 054813
Ø 24 mm 054790	Fil droit rigide - Straight rigid wire - Steif gerade draht 800 mm 054868
Ø 30 mm 055469	



**HAND-DUCTION HEATING SYSTEM**



**MADE IN HIGH QUALITY USA**

- Ergonomique et léger - Lightweight and ergonomic design - Leicht und einfach zu bedienen
- Refroidi air - Air cooled - Luftgekühlt
- Verrouillage facile des inducteurs - Coil Twist Lock - Einfaches Verriegeln der Induktoren
- Éclairage LED - Light LED - LED zum Erhitzen des Blechs

**1 000 W**  
 with accessories ← EUR + 230V : 056923  
 UK : 057371 (230V)  
 US : 057395 (110V)  
 AU : 057388 (230V)  
 L : 37cm • Ø : 8.2 cm • 2.54kg • 5A  
 40-80 KHz

**INCLUDED**

Spirale - Coil - Spiralförmiger draht Ø 22mm (7/8 in.)	Fil tressé enroulable - Flexible wrappable wire - Flexibel geflochtener Draht 1 m (41 in.)	Fil droit rigide - Straight rigid wire - Gerader, steifer Draht 584 mm (23 in.)

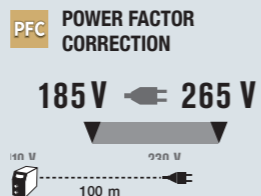
**PACKS GYS DUCTION AUTO**

GYSDUCTION AUTO	GYSDUCTION AUTO	Plastic wedges 051294	Burn off Inductor 053373	Body Inductor 053359	Bolt Inductor 053366	Remote control 055490	Universal 800 051331	Cable support 052284	Dent pulling Inductor 054776	Spiral inductor 054783	1 box
<b>PROLINER AUTO</b> 048775	=	■	■	■	■	■	■	■	■	■	
<b>COMPLETE AUTO</b> 053380	=	■	■	■	■	■	■	■	■	■	
<b>COMPLETE AUTO +</b> 056978	=	■	■	■	■	■	■	■	■	■	■
<b>MECA AUTO</b> 048812	=	■	■	■	■	■	■	■	■	■	
<b>MECA AUTO +</b> 056961	=	■	■	■	■	■	■	■	■	■	■
<b>BODY SHOP AUTO</b> 048799	=	■	■	■	■	■	■	■	■	■	
<b>GLASS AUTO</b> 048805	=	■	■	■	■	■	■	■	■	■	
<b>DENT REPAIR AUTO</b> 054981	=	■	■	■	■	■	■	■	■	■	

EN-60 335/1	MADE IN FRANCE	230V, 1~, 50/60 Hz	PFC		Freq. kHz	Tech.	Cable L (m)		Heating			cm	kg	Protected & compatible power generator (+/-15%)
			A	W			Inductor	Inductor	Heating	Heating				
<b>GYSDUCTION AUTO</b>		230V, 1~, 50/60 Hz	16 mini	2400	35+100	■	2	2.5	M10 → 1 s	2 mm → 5 s	Ø8 → 10 s	36 x 27 x 22	7.5	3 kW
<b>POWERDUCTION 10R</b>		230V, 1~, 50/60 Hz	10 mini	1200	45+80	—	2	1	M10 → 1 s	2 mm → 5 s	Ø8 → 10 s	23 x 14 x 10	3	1.5 kW



# INDUCTION HEATING



**POWERDUCTION 37LG**  
**3700 W** 230V • 1~  
 LIQUID  
 056992

**POWERDUCTION 39LG**  
**3700 W** 230V • 1~  
 PFC LIQUID  
 058583

**POWERDUCTION 50LG**  
**5200 W** 230V • 1~  
 PFC LIQUID  
 055599

**POWERDUCTION 110LG**  
**11000 W** 400V • 3~  
 LIQUID  
 058590

**POWERDUCTION 160LG**  
**16000 W** 400V • 3~  
 LIQUID  
 057814



Housse de protection -  
 Protection cover - Schutzhaube  
 for POWERDUCTION 160LG  
 050853

OPTIONS

<p><b>37LG</b></p> <p>UNIVERSAL 800 051331</p> <p>Cable support 052284</p>	<p><b>37LG (Ø16)</b></p> <p>058927 059269 061569</p>	<p><b>39 &amp; 50 LG (Ø28)</b></p> <p>Colle-Stick bi-composants Power Epoxy 150°C 054851</p> <p><b>Adapters - Adaptateurs</b></p> <table border="0"> <tr> <td>Ø 28 &gt; 16</td> <td>Ø 28 &gt; 22</td> </tr> <tr> <td>28-16 M28 Ø16 064485</td> <td>28-22 M28 Ø22 064492</td> </tr> </table>	Ø 28 > 16	Ø 28 > 22	28-16 M28 Ø16 064485	28-22 M28 Ø22 064492	<p><b>20°</b></p> <p>056862 053823 056909</p> <p><b>90°</b></p> <p>056879 053823 056909</p> <p>056886 053458 056916</p>	<p><b>110 &amp; 160LG (Ø32)</b></p> <p>70° 059771 90° 059788 Straight 059795</p> <p><b>Adapters - Adaptateurs</b></p> <table border="0"> <tr> <td>for Ø 32 &gt; 16</td> <td>for Ø 32 &gt; 22 original equipment 110 &amp; 160 LG</td> </tr> <tr> <td>32-16 M32 Ø16 064508</td> <td>32-22 M32 Ø22 064515</td> </tr> </table>	for Ø 32 > 16	for Ø 32 > 22 original equipment 110 & 160 LG	32-16 M32 Ø16 064508	32-22 M32 Ø22 064515	<p><b>Cooling liquid (not included)</b></p> <p>5L 062511 10L 052246</p>
Ø 28 > 16	Ø 28 > 22												
28-16 M28 Ø16 064485	28-22 M28 Ø22 064492												
for Ø 32 > 16	for Ø 32 > 22 original equipment 110 & 160 LG												
32-16 M32 Ø16 064508	32-22 M32 Ø22 064515												

Model	Voltage	Power (W)	Frequency (kHz)	P400	PFC	Liquid Cooling	Cable L (m)	Heating			cm	kg	Protected & compatible power generator (+/-15%)
								Inductor	Heating Element	Heating Time			
POWERDUCTION 37LG	230V, 1~50/60 Hz	3700	7	15+30	—	1.51	2	M10 → 1 s	2 mm → 5 s	Ø10 → 15 s	45 x 29 x 25	15	4 kW
POWERDUCTION 39LG	230V, 1~50/60 Hz	3700	15	30+50	■	71	2	M12 → 1 s	2 mm → 5 s	Ø10 → 15 s	53 x 70 x 37	39.5	4 kW
POWERDUCTION 50LG	230V, 1~50/60 Hz	5200	cont.	30+50	■	71	8	M14 → 1 s	2 mm → 3 s 4 mm → 5 s	Ø10 → 10 s	59 x 88 x 59	70	6 kW
POWERDUCTION 110LG	400V, 3~50/60 Hz	11000	cont.	25+40	—	71	5	M18 → 1 s	2 mm → 2 s 4 mm → 4 s	Ø10 → 7 s	59 x 88 x 59	80	15 kW
POWERDUCTION 160LG	400V, 3~50/60 Hz	16000	cont.	25+40	—	301	4	M20 → 1 s	2 mm → 2 s 4 mm → 4 s	Ø10 → 5 s	70 x 1015 x 60	120	22 kW

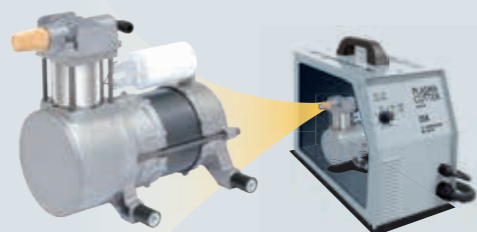


CUTTER

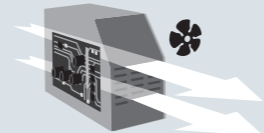
# PLASMA

1~

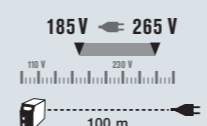
COMPRESSOR COMPRESSOR INSIDE



AD ANTI-DUST VENTILATION CORRIDOR



PFC POWER FACTOR CORRECTION



FV FLEXIBLE VOLTAGE



CNC COMPUTER NUMERICAL CONTROL



AIR FILTER

PFC EN 61000-3-12 POWER FACTOR CORRECTION

IDEAL CARBODY REPAIR



PFC EN 61000-3-12 FV FLEXIBLE VOLTAGE

DIGITAL (PRESSURE SENSOR)



INCLUDED: Ø 8 mm

DIGITAL (PRESSURE SENSOR)

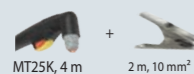


COMPRESSOR Compressor inside

CUTTER 25 K

230 V • 1 ~  
25 A Fe 8 mm  
Al/CrNi 6 mm

P400 COMPRESSOR



030947

CUTTER 35 KF

230 V • 1 ~  
35 A Fe 15 mm  
Al/CrNi 10 mm

P400 PFC AD COMPRESSOR

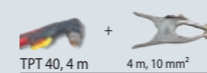


031036

CUTTER 30 FV

110 → 230 V • 1 ~  
30 A Fe 15 mm  
Al/CrNi 10 mm

P400 PFC FV

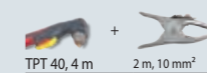


013858

EASYCUT 40

230 V • 1 ~  
40 A Fe 20 mm  
Al/CrNi 15 mm

P400 PFC FV GRID CUT AD IP 23 CNC



029743

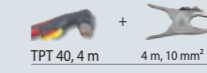
CUTTER 45 CT

110 → 230 V • 1 ~  
45 A Fe 28 mm  
Al/CrNi 20 mm

P400 PFC FV GRID CUT AD IP 23 CNC



014787



013629

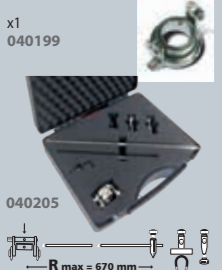
CUTTER / EASYCUT

PLASMA CUTTING • 1 ~

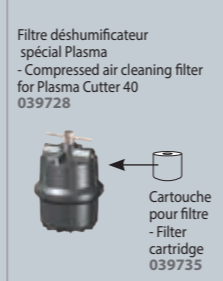


OPTIONS

COMPAS for TPT 40, MT 25K / MT 35K



Consumables	CUTTER 25 K		CUTTER 35 K		CUTTER 30 FV / Easycut 40 / CUTTER 45 CT	
	MT25K	MT35K	TPT40			
	x4 040182	x1	x4 040229	x1	x4 040236	x1
	x10 040151	x3	x10 040212	x3	x10 040212	x3
	x2 040175	z x1	x2 040175	x1	x2 040175	x1
	x10 040168	x3	x10 040168	x3	x10 040168	x3
Coffret - Box	039971		039964		039957	



CE NORM. EN60974-1	I <sub>2</sub>	mm						INTEGRATED TECHNOLOGY						AIR SYSTEM			EN 60974-1 (40°C)			kg	Protected & compatible power generator (+/-15%)							
		Coupe max Severance cut		Coupe propre Clean cut		Perçage Piercing		P400	PFC	FV	GRID CUT	AD	IP23	CNC	COMPRESSOR	min	ideal	max	I 60%			X% I2 max	100%	cm				
		Fe	Al/CrNi	Fe	Al/CrNi	Fe	Al/CrNi																					
	230V 1~	16	5+25	8	6	6	4												12 A	26%	11 A	51 x 47 x 31	18.5	4.1 kW	5.9 kVA			
	230V 1~	16	10+35	15	10	10	8												28 A	30%	20 A	62 x 56 x 32	33	8 kW	10 kVA			
	230V 1~	32	10+40	20	15	15	10												2.5 bar	5 bar 115 L/min	9 bar	10 A	20%	—	15 x 42 x 30	8	—	—
	230V 1~ / 110V 1~	16	10+30	15	10	10	8												2.5 bar	5 bar 115 L/min	9 bar	23 A	30%	20 A	45 x 28 x 20	10.8	7.5 kW	6 kVA
	110/230V 1~	16	10+45	20	15	15	10	8	6										2.5 bar	5 bar 115 L/min	9 bar	41 A	50%	32 A	44 x 37 x 24	14	10 kW	8 kVA



**COFFRET DE DÉCOUPE PARE-BRISE**  
- Professional Box Set for Windscreen Removal - Frontscheiben-Trennsystem für Akkuschrauberbetrieb

057654

included  
65 m  
058125

MADE IN HIGH QUALITY GERMANY

**COUPEAU PNEUMATIQUE DE DÉCOUPE PARE-BRISE**  
- Oscillating Pneumatic Saw for Windscreen Removal - Druckluft-Trennmesser für Windschutzscheiben

057623

Included  
57 mm 057845  
90 mm 057852  
8 mm 057876  
35 mm 057838  
U 36 mm 057869

**EXTRACTEUR D'ESSUIE-GLACE** - Removal tool for windscreen wiper arms - Wischerarm-Abzieher

**UNIVERSEL**  
057630

30 mm max

**EXPERT**  
057647

Accès difficile  
- Difficult access

40 mm max

**SYSTÈME DE DÉCOUPE PARE-BRISE A CLIQUET**  
- Windshield Cutting kit - Set zum Lösen von Windschutzscheiben

054738

**PROTECTIONS TABLEAU DE BORD**  
- Dashboard Protector - Armaturenbrett Schutz

053120

45 cm  
27 cm  
45 cm  
27 cm

**VENTOUSES** - Suction Lifting Pads - Saugnapfwerkzeug für Spiegelgläser

056695

Ø 70 mm

051966

x2

057609

**OUTIL DÉCOUPE PARE-BRISE**  
- Windshield Cutting Tool - Windschutzscheiben-Ausglas-Set

051935

**KIT DÉCOUPE JOINT DE PARE-BRISE** - Windscreen Joint-cutting Kit - Scheibentrenn-Werkzeug-Set

051898

051911

Corde à piano torsadé (22 m)  
- Windscreen seal cutting wire (twisted)  
- Piano-Schneiddraht, gedreht, 22 m Rolle

051881

Corde à piano carré (50m)  
- Windscreen seal cutting wire (square)  
- Vierkant-Draht, 50 m Rolle

**RENOV'POLYCARBONATE** - Compressed air polisher - Druckluftpolierer

**Complete pack**  
1 ponceuse orbitale  
+ 1 lustreuse  
- 1 orbital sander  
+ 1 polisher

052086

2 SPEED

052055

052062

052079

sander Ø75 057494

polisher Ø75 058224

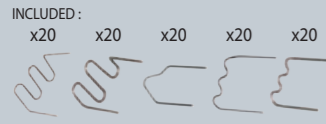
Ø 76

P 500 (x 10)  
P 800 (x 10)  
P 1500 (x 10)  
P 3000 (x 10)

P 500 x 50 052017  
P 800 x 50 052024  
P 1500 x 50 052031  
P 3000 x 50 052048

**AGRAFEUSE POUR RÉPARATION PARE-CHOCS** - Hot stapler for bumper repair - Stoßstangen Reparatur Kit

052925



MADE IN TAIWAN

**PORTABLE**  
Sur batterie - Battery operated  
058118

Included  
Li-ion battery 3.7V  
048669  
included adapters:  
EUR, UK, USA & AUS



MADE IN TAIWAN



Charger included  
048652

Agrafes - staples	V	U	N	W	M
Angle interne étroit - Inside corner Ø 0.7 mm	Alignement de fissure - Crack alignment Ø 0.7 mm	Fissure importante - Large crack Ø 0.7 mm	Angle interne - Internal angle Ø 0.7 mm	Angle externe - External angle Ø 0.7 mm	
x 100 047990	x 100 047983	x 100 047976	x 100 047969	x 100 047952	
052413					
=	x 50	+	x 50	+	x 50

**COFFRET DE PERÇAGE PARE-CHOCS POUR DÉTECTEURS** - Piercing Kit for Bumper Sensors - Lochwerkzeug für Stoßfänger



**PRO**  
057746

Ø 18,2 mm  
Ø 18,4 mm  
Ø 26,0 mm  
x 12



**PRO +**  
059139

Ø 17-18-18,2  
19-20-22,5-24  
26-26,7-32 mm

**STATION DE SOUDAGE DES PLASTIQUES** - Plastic welding station - Kunststoff-Schweißset

320 W - 230 V, 1-50 Hz  
Temperature: 160 < 480°C  
▲ 3.4 kg  
Length of hose: 1 m  
Air flow: 24 l/min

062726



Station seule - Station only  
064072

**OPTION**

Trolley SPOT 600  
053533



Included  
058231



Included  
Mini fraiseuse - Mini milling machine  
063228

Included  
Tungsten drill Ø 5 mm  
063235

PP / EPDM	440 mm	▲ 5 mm	x 10	063242
PP / EPDM	440 mm	■ 10 mm	x 10	063259
ABS	440 mm	▲ 5 mm	x 10	063372
ABS	440 mm	■ 10 mm	x 10	063266

**KIT DE SOUDAGE DES PLASTIQUES** - Welding Kit for Plastics - Kunststoff-Schweißset



1 600 W - 230 V - 50/60 Hz  
max. 230 l/min  
▲ 1.3 kg / -L Ø100 x 300mm,  
poignée Ø 56mm.

057678

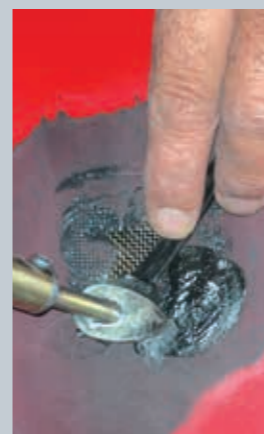


Options

TIP Ø5  
061262

TIP insert Ø5  
061279

**COFFRET DE RÉPARATION DES PLASTIQUES AUTOMOBILES** - Brazing automotive plastics repair kit - Kunststoff Reparatur Set

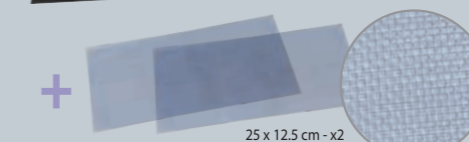


052932

=



x10  
052956



25 x 12,5 cm - x2  
052949

057258

052963

**FREEZER**

Spray refroidisseur  
- Freezer spray

-50 °C  
400 ml  
(x 12)  
048898



MADE IN BELGIUM

**GYS HAND TOOLS - Ausbeulwerkzeug**

• **FULL PACK =**  
061637



+ **MEDIUM PACK**  
051133



**KIT MARTEAUX ET TAS - Planishing Kit for Car Body (Set of 3 Hammers + 4 Dollies) - Karosseriehammer & Handfaust Kit**



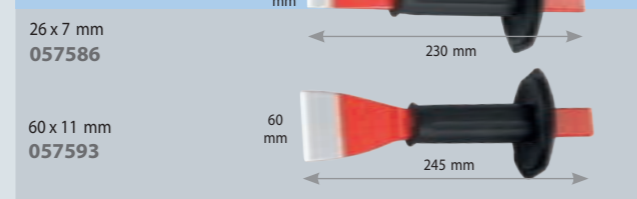
**OUTILS DE FORME - Forming tools - Formgebungswerkzeuge**



**OUTILS DE DÉGARNISSAGE ET RACLAGE - Set of 30 Tools for scraping/sanding and paint removal - Polster & Schaber Kit**



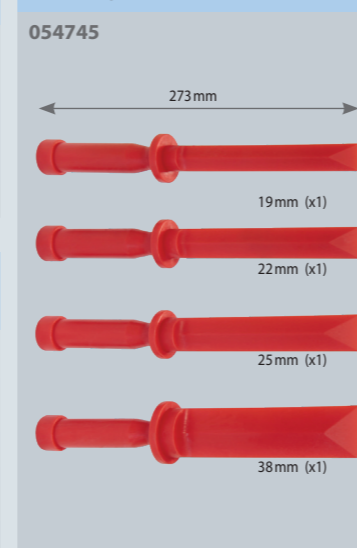
**BURINS - Hand Chisel for Car Body - Meißel für Karosserie**



**COUTEAUX RACLOIRS**



**JEU DE 4 BURINS EN NYLON - Set of 4 nylon chisels - 4 Kunststoffmeißel**



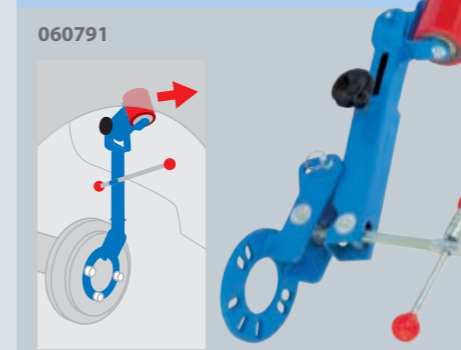
**JAUGES DE PROFIL - Contour Gauge - Konturenlehre**



**JAUGES DE POSITIONNEMENT - Gapping gauges - Spaltmaßlehre**



**OUTIL DE REMISE EN FORME PASSAGE DE ROUE - Fender roller tool set**



**REDRESSEUR DE CHARNIÈRE DE PORTE - Fixed Hinge Bending Tool**



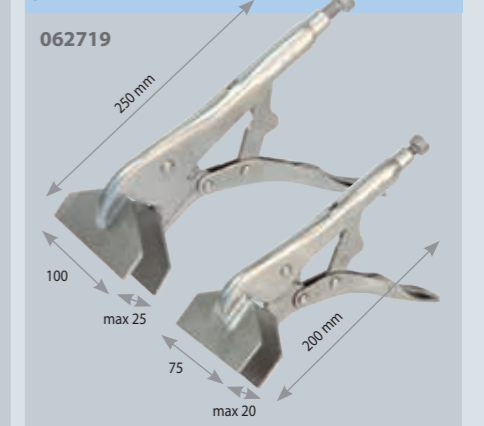
**PINCES DE MAINTIEN BORD À BORD - Positioning clamp - I-Stoß-Lehre**



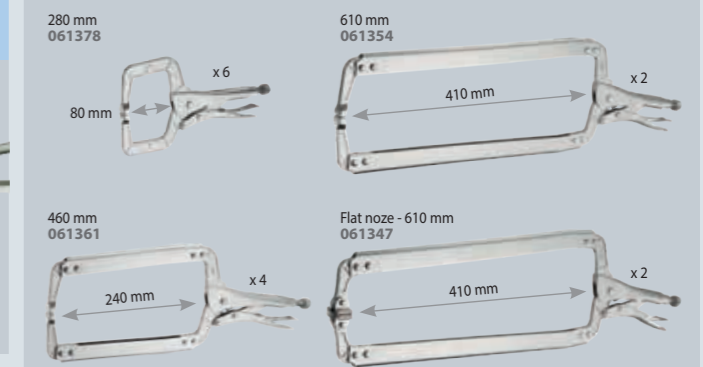
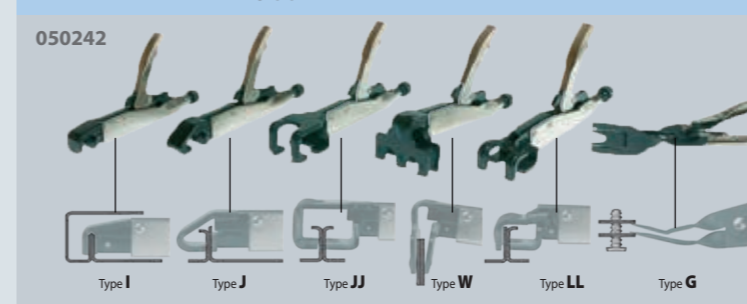
**PINCES MICRO-GRIP - Micro-grip clamps**



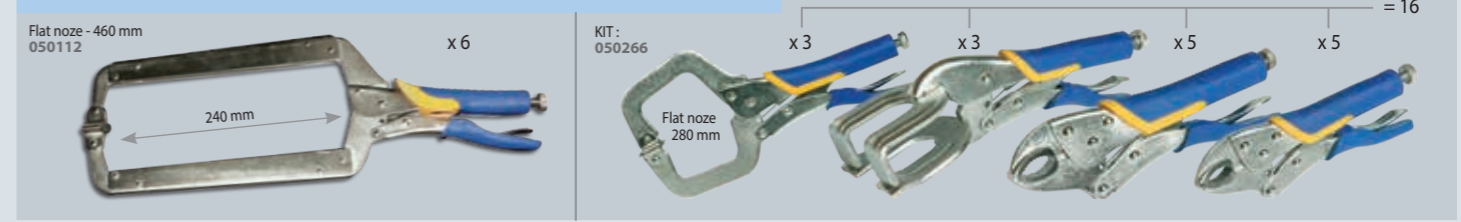
**PINCES ÉTAU À BEC PLAT - Flat nozzle lock-grip pliers**



**PINCES AXIALES - Axial-grip pliers**



**PINCES ÉTAU MONO SERRAGE - Lock-grip pliers**



**MINI-MEULEUSE** - Mini disc sander - Druckluftschleifer

051829

Speed adjustment

Ø 75 mm

Included (x1) 052468

Speed rpm	Power W	dB	Air consumption l/min	Air pressure bar	cm	kg
18000	200	83	171	6.2	12	0.7

**MEULEUSE D'ANGLE** - Long Handled Angle Grinder - Druckluft-Winkelschleifer

057753

Ø 100 mm

± 1.6 mm, x5 057883  
± 0.8 mm, x5 058217

Speed rpm	Power W	dB	Air consumption l/min	Air pressure bar	cm	kg
14000	84	113	113	6.2	37	1.7

**COFFRET DÉCAPEUSE PNEUMATIQUE** - Pneumatic surface remover Kit - Druckluftentroster-Box inkl. Zubehör

051775

Roue gomme 115 x 14 mm 051874  
 Roue à découper 115 x 14 mm 051843  
 Adaptateur pour brosse 051768

Brosse souple Brins droits 0.5 mm 103 x 23 mm 052598  
 Brosse dure Brins incurvés 0.7 mm 103 x 23 mm 051812  
 Brosse souple Brins incurvés 0.5 mm 103 x 23 mm 051850

Speed rpm	Power W	dB	Air consumption l/min	Air pressure bar	cm	kg
4000	500	86	102	6.2	280	1.2

**PINCE À SOYER ET À TROUER, Ø5MM PNEUMATIQUE** - Pneumatic flange / ø5 mm punching tool - Pneumatische Loch- und Absatzzange Ø 5 mm

052543

2 in 1

Ø 5 mm

0,8 > 1,2 mm

0,8 > 1,2 mm

058248

x2 Ø Ø 50 & 75 mm

Speed rpm	Power W	dB	Air consumption l/min	Air pressure bar	cm	kg
15000	84	91	91	6.2	10	0.6

**MINI-MEULEUSE À RENVOI D'ANGLE** - Mini Angle Grinder - Mini-Druckluftwinkelschleifer geräuschgedämpft

051867

Ø 50 mm

90°

(x1) 052772

Speed rpm	Power W	dB	Air consumption l/min	Air pressure bar	cm	kg
15000	200	86	85	6.2	18	0.75

**SCIE COUPE TÔLE DROITE ET LIME** - Saw for Straight Cut and File - Druckluftsäge und Feile

051805

(x5) 052789

included 058750

Speed rpm	Power W	dB	Air consumption l/min	Air pressure bar	cm	kg
5000	—	85	255	6.2	10	0.8

**PONCEUSE À BANDE À TÊTE ORIENTABLE** - Air belt sander - Druckluft Bandschleifer

060906

520 mm

360°

Grain 60 (x5) 060913  
Grain 80 (x5) 060920  
Grain 100 (x5) 060937  
Grain 36 céramique (x5) 062535

Speed rpm	Air consumption l/min	Air pressure bar	cm	kg
16000	171	6.3	34	1.2

**POINÇONNEUSE PNEUMATIQUE OBLONG** - Pneumatic oval punching tool - Pneumatische Langloch-Bleichzange

053182

1.2 mm max

6 mm 20 mm

for MIG brazing

2.2 kg

6 mm 20 mm

included 6x20 53515

**OUTIL DE POINÇONNAGE OBLONGS** - Punching tool for oval holes - Langlochkarosserieblechzange

**DÉPOINTEUSE POUR CORDON LASER ACIER** - Laser cord metal sheet cutter (nibbler) - Trennwerkzeug für Lasernähte

054165

STEEL Included 054172

**BODY ZIPPER** - Sertisseuse pneumatique Pneumatic Crimper - Druckluftkantenformer

056930

MADE IN HIGH QUALITY POLAND

1) MINI

2) initial W

3) final M x < 2.4mm

4) final D x > 2.4mm

Air pressure bar	cm	kg
5	28	2.1

**PONCEUSE À BANDE À TÊTE ORIENTABLE** - Air belt sander - Druckluft Bandschleifer

052819

360°

330 mm

10 mm

Grain 80 (x10) 052833  
Grain 36 céramique (x20) 062528

Speed rpm	Air consumption l/min	Air pressure bar	cm	kg
16000	171	6.3	26	0.9

**MINI-FRAISEUSE À RENVOI D'ANGLE** - Mini Angle Milling Machine - Mini-Winkelschleifer

051836

90°

Speed rpm	Power W	dB	Air consumption l/min	Air pressure bar	cm	kg
18000	500	81	85	6.2	18	0.7

**PERCEUSE MANDRIN AUTOMATIQUE** - Automatic Mandrel Drill - Druckluftbohrmaschine m. Schnellspannfutter

051799

Ø 13

Speed rpm	Power W	dB	Air consumption l/min	Air pressure bar	cm	kg
800	300	92	170	6.2	18	0.9

**DÉPOINTEUSE** - Spot remover - Druckluft-Schweißpunktbohrer

SPOT DRILL 050464

360°

Ø 8

Included: Tungsten Carbide Ø 8 for BORON/UHSS (x1)

Forets de dépointage - Spot remover drill - Schweißpunktfräse Tungsten Carbide for BORON/UHSS

Speed rpm	Power W	dB	Air consumption l/min	Air pressure bar	cm	kg
800	400	85	140	6.5	35	2.3

3-edge Ø 8 mm 053069 Ø 10 mm 053076  
4-edge Ø 8 mm 059849 Efficiency++ Durability++

PACK SPOT DRILL + 140 mm 061460

3-edge Ø 8 mm 053069 140 mm 061453

### TOURNEVIS SANS FIL - Cordless Mini Screwdriver - Akkuschauber

057944  
LO speed : 220 rpm - 4 Nm  
HI speed : 450 rpm - 2.7 Nm  
3.6 V - 1.5 Ah Li-ion battery  
430 g  
■ 295 x 290 x 90 mm



### TOURNEVIS À CHOCS SANS FIL - Cordless Impact Screwdriver - Akkuschauber

057951  
Speed : 2400 rpm  
117 Nm max  
14.4 V - 2 Ah Li-ion battery  
1.1 kg  
■ 155 x 63 x 210 mm  
■ 295 x 290 x 90 mm



### MEULEUSE/POLISSEUSE SANS FIL - Cordless sander / polisher - Akku-Polier-Schleifer

057982  
Meuleuse :  
0 > 6900 rpm  
Polisseuse :  
0 > 1900 rpm  
14.4 V - 2 Ah Li-ion battery  
1.08 kg  
■ 150 x 63 x 215 mm  
■ 395 x 325 x 100 mm



### RIVETEUSE SANS FIL - Cordless Riveter - Akku-Blindnietgerät

057968  
Rivets Ø 3.2 & Ø 4.0 mm (Ø 4.8 mm alu)  
10.8 V - 2 Ah Li-ion battery  
1.16 kg  
**11 000 N max**  
Contrôle variable de la vitesse  
Balais remplaçables.  
■ 247 x 52 x 190 mm  
■ 345 x 280 x 90 mm



### PISTOLET À COLLE SANS FIL - Cordless Caulking Gun - Akku-Kartuschenpresse

057975  
Speed : 3 > 10 mm/s  
Capacity : 400 ml  
14.4 V - 2 Ah Li-ion battery  
2.75 kg  
■ 465 x 130 x 275 mm  
■ 535 x 305 x 156 mm



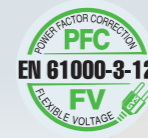
### DÉTECTEUR ÉPAISSEUR DE PEINTURE - Film coating thickness gauge

Measurement range : 0 - 1.80mm  
Resolution : 0.01mm / 1mm  
Measurement error : +/- 0.03 mm  
Power Supply : 2x 1.5V AAA batteries  
(included)  
Overall dimensions : 62 x 30.5 x 105 mm



## TIG AC/DC

# GTAW AC/DC RÉPARATION DE JANTES



### PONÇEUSE /POLISSEUSE ÉLECTRIQUE - Electric Sander & Polisher - Elektro-Polier-Schleifer

057999  
Orbital 5.0 mm  
■ 303 x 101 mm  
1.21 kg  
Speed : 4000, 7000, 9000 10000 rpm  
AC-in 220V - 230V / 50 - 60Hz



058293  
Power supply : 230V / 50Hz  
Power : 1400W (max 2000W)  
Max. vacuum : 170 mbar  
Air flow : 2700 l/min  
Drum capacity : 30 L  
Drum material : stainless steel  
■ 380 x 380 x 700 mm  
■ 7 kg

### ASPIRATEUR PNEUMATIQUE POUR POUSSIÈRES ALU (ATEX) - Pneumatic aluminium dust atex vacuum cleaner

058866  
Dust container capacity : 25 l  
Working compressed air pressure : 6 bar  
Compressed air consumption at 6 bar : 800 l/min  
Suction connection diameter size : 50 mm  
Max suction capacity : 150 m³/h  
Max vacuum level : 2000 mm H₂O  
Recommended compressor power : 7.5 HP



#### Métaux d'apport TIG - TIG filler rods - WIG-Schweißstäbe

5 kg (L = 1 m)	X...	
Alu - Aluminium - Aluminio (AlMg5)	Ø 1.6	920 087170
Normes - Norms - Normen - Norma AWS A 5.10 : ER 5356	Ø 2.0	590 087187
EN ISO 18273 : 5 Al 5356	Ø 2.4	410 087194

#### Electrodes tungstène - Tungsten electrodes - Wolfram Elektroden

Green		
WP PUR (AC)		
Alu - Aluminium - Aluminio		
Ø 2.0	x10	046719
Ø 2.4	x10	044579

#### SR 17 - SR 18 - SR 26

AC / DC  
044678  
Back cap (short+long)  
Tungsten electrode  
WR2 Ø 1.6 & Ø 2.4  
+ collets  
Gas nozzle NS - N7

#### COMPLETE PACKS

pack TIG 200 AC/DC 028371	pack TIG 220 AC/DC 028388	SR26 DB, 4 m 046054	2 m, 25 mm² (original equipment) 043794	2 m, 25 mm² (original equipment) 037489	702 x 800 x 352 mm 037489
■	■	■	■	■	■



20L/min (FR) 041998 (UK) 040274 (NL) 040267 (IT) 038691

30L/min (FR) 041622 (UK) 041646 (DE) 041219 (NL) 041615 (IT) 038707

MADE IN FRANCE EN60974-1	50/60 Hz	I <sub>2</sub> TIG	INTEGRATED TECHNOLOGY							TIG		MMA		Freq. AC	Hz	Uo	mm²	cm	kg	Protected & compatible power generator (+/-5%)
			P400	PULSE	PFC	FV	SR	AD	EN60974-1(40°C) IA (60%) X% (I2 max)	EN60974-1(40°C) AC/DC 90 AC 13 DC 21	90 30	95 21								
TIG 200 AC/DC-HF FV	110V 1~	20	AC 10→160 DC 5→160	■	0.2+20 Hz (DC) 0.1+2 Hz (AC)	■	■	■	■	AC/DC 90 AC 13 DC 21	90 30	20 → 200	70	Ø13 35/50	52x47 x32	18.5	6 kW			
	230V 1~	13	AC 10→200 DC 5→160	■		■	■	■	■	AC/DC 95 AC 13 DC 21	95 21									
TIG 220 AC/DC-HF FV	110V 1~	32	AC 10→140 DC 5→140	■	0.1+2500 Hz (DC) 0.1+2 Hz (AC)	■	■	■	■	AC/DC 140 AC 185 DC 175	140 75	20 → 200	75	Ø13 35/50	61,5x46 x35	22	7 kW			
	230V 1~	16	AC 10→220 DC 5→220	■		■	■	■	■	AC/DC 100 AC 45 DC 35	160 25									





**TRÉTEAUX - Frames support - Klappbücke**

040601 100.5 x 112 cm - 5.5 kg  
35 x 95 x 106 cm

040311 104.5 x 117 cm - 8.1 kg  
32 x 10 x 106 cm

040250 100 x 105 cm - 7kg  
32 x 10 x 106 cm

040304 104.5 x 108.8 cm - 8.1kg  
32 x 10 x 106 cm

4 ventouses  
Dépose vitrages  
- Suction pad for glazing  
- Gummiteller zur Fixierung von Glasscheiben

4 pieds coudés  
Idéal sur callebotis  
- Bent feet for grating  
- Abgewinkelte Standfüße:  
Sicherer Stand auf Gittern u.ä.

Ø28 mm

Ø32 mm

Ø32 mm

Ø32 mm

18.5 > 132 cm

24 kg

81 > 133 cm

059818

86 cm

MADE IN HIGH QUALITY POLAND

Chaînette réglable  
- Adjustable catenary

Mousse de protection  
- Protecting foam

Antidérapants  
- Non-slip base

**SUPPORT PARE-CHOCS - Rotary element support  
Lackierständer für Stoßstange, einstellbar**

052376 91 x 105 cm - 7.6 kg  
60 x 11 x 75 cm

059825

50 cm

50 cm

059832

50 x 150 cm - 13 kg  
152 x 15.5 x 11.5 cm

106 x 104 x 215 cm - 32.5 kg  
112 x 31.5 x 21.5 cm  
+ 12 x 9.5 x 194.5 cm

Adapté aux coques de rétroviseurs  
- Adapted to wing mirror covers  
- Geeignet für Außenspiegel

**SUPPORT ÉLÉMENT ROTATIF - Rotary element support -  
Lackierständer für Stoßstange, einstellbar**

052611 200 x 101 cm - 17.5 kg  
35 x 15 x 110 cm  
Made in China

PRO 056725 200 x 105 x 81 cm - 22 kg  
24 x 17 x 118 cm

MADE IN HIGH QUALITY POLAND

1.5 mm

360°

2 mm

Verrouillage de l'axe - Locking of the axis  
- Verriegelung der Achse

**SUPPORT UNIVERSEL - Universal support  
Universelle Ständer**

061507

100 cm

135 - 210 cm

26 kg  
114.5 x 42 x 13.5 cm

MADE IN HIGH QUALITY POLAND

**CHARIOT DE LUXE MAROUFLAGE - Premium masking machine -  
Abdeckpapier-Ständer**

MADE IN HIGH QUALITY POLAND

x 5

rouleaux de papier  
- Papierständer  
- Paper roll

30 > 120 cm

057333 150 x 133 x 62 cm  
32 kg  
152 x 17 x 29 cm

Ø40 mm x 6  
058897

**CHARIOT DE MAROUFLAGE - Masking machine -  
Abdeckpapier-Ständer**

MADE IN HIGH QUALITY POLAND

x 3

rouleaux de papier  
- Papierständer  
- Paper roll

30, 60, 90 cm

056954 150 x 62 x 110 cm  
- 12 kg  
122 x 29 x 17 cm

**CHARIOT DE STOCKAGE - Storage trolley -  
Lagerrollwagen**

040243

71 x 90 x 197cm  
41 kg  
x2:  
90 x 6 x 147 cm  
+ 97 x 74 x 24 cm

**CHARIOT DE VISITE - Mechanics Creeper With  
Tilting Headrest - Werkstatt-Rollliege**

057548 102 x 43 x 11 cm  
7.2 kg  
11 x 44 x 13 cm

**TIGES DE BLOCAGE - Flap Lock**

056732

30 > 115 cm

**TABOURET - Round Stool with Tool Storage  
- Werkstatt-Rollhocker**

057555 38 x 38 x 44 cm - 6 kg  
40 x 40 x 18 cm

**MARCHE PIED - Folding Step Stool (Aluminium) -  
Arbeitspodest klappbar**

ALU 200 kg

960 mm

385 mm

475 mm

057562 8.2 kg  
102 x 41 x 59 cm

ALU 150 kg

1090 > 1750 mm

520 > 900 mm

058552 15.5 Kg  
116 x 43 x 17 cm - 16.5 kg





# BATTERY SUPPORT UNITS

**GYSFLASH 30.12**  
**30 A** 12 V **PFC**

029224



10,5 cm

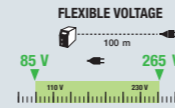


**GYSFLASH 50.12 FV**  
**50 A** 12 V **PFC FV**

2,5 m - 10 mm<sup>2</sup>  
 026056



10,5 cm

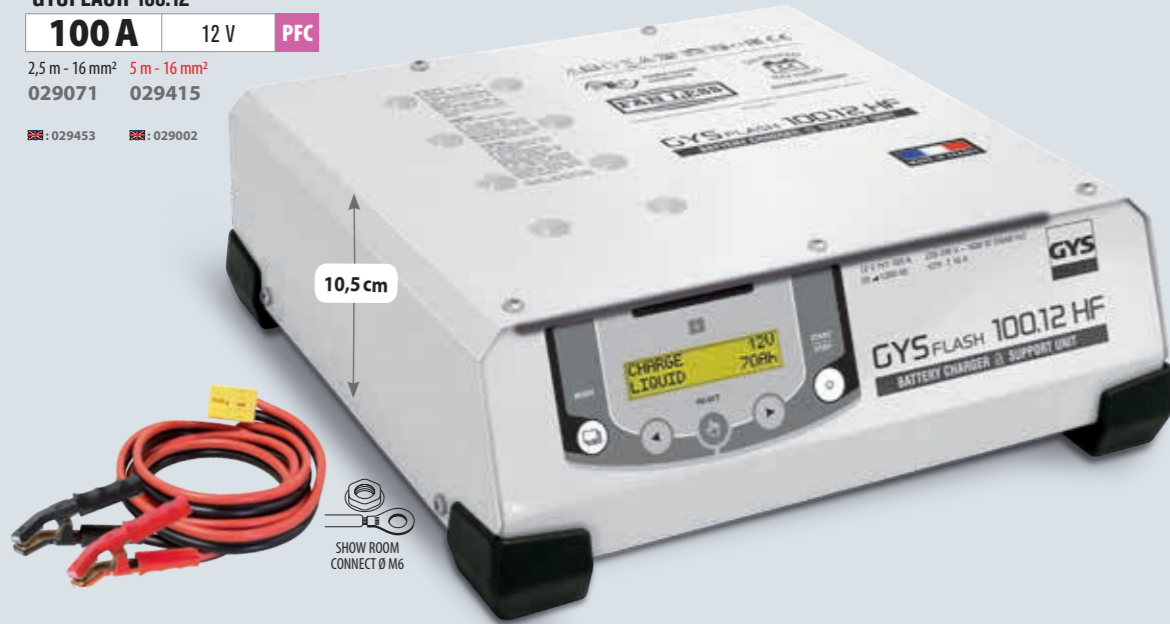


**RENAULT**  
 1 044 40004

**GYSFLASH 100.12**  
**100 A** 12 V **PFC**

2,5 m - 16 mm<sup>2</sup> 5 m - 16 mm<sup>2</sup>  
 029071 029415

029453 029002



10,5 cm



**GYSFLASH 32.12 PL** 2,5 m - 6 mm<sup>2</sup>

**30 A** 12 V **7 STEP Pb** **8 STEP LiFePo<sub>4</sub>**  
 027381



**GYSFLASH 102.12** 5 m - 16 mm<sup>2</sup>

**100 A** 12 V **PFC**  
 029606



**CHARGE** **DIAG +**

**SHOWROOM** **CONNECTOR SHOWROOM Ø M6**



10,5 cm



**GYSFLASH 30.24**  
**30 A** 6/12/24 V **PFC** 029231

**GYSFLASH 50.24** 2,5 m - 10 mm<sup>2</sup> 5 m - 16 mm<sup>2</sup>  
**50 A** 6/12/24 V **PFC** 029095 029620



10,5 cm



**OPTION**  
 Gysflash 32.12, 102.12, 123.12 CNT, 103.24 CNT  
**MAGNETFIX 50**  
 029637

included fixation  
 Gysflash 32.12, 102.12



**Tablette - Wall support - Wandhalterung**  
 055513

**Valise de chantier Heavy-duty case Hartschalenkoffer**  
 ↓ 21 x 43 x 57 cm / 3,9 kg  
 060432

**Chariot - Trolley - Fahrwagen**  
 027749  
**GYSFLASH XL**

029491 (Not for Gysflash 121.12)

BATTERY SUPPORT UNITS

GYSFLASH 101.12 CNT 5 m - 16 mm<sup>2</sup>  
**100 A** 12 V **CNT** **PFC** **TEST**  
 026988



10,5 cm



GYSFLASH 121.12 CNT FV 5 m - 25 mm<sup>2</sup>  
**120 A** 12 V **CNT** **PFC** **FV** **TEST**  
 026971  
 027756



GYSFLASH 123.12 CNT 5 m - 16 mm<sup>2</sup>  
**120 A** 12 V **CNT** **FV** **PFC**  
 025677

GYSFLASH 103.24 CNT 5 m - 16 mm<sup>2</sup>  
**100 A** 24 V **CNT** **FV** **PFC**  
 025684



SPM - Smart Printer Module with CNT technology for Gysflash 101.12 CNT & 121.12 CNT



026919



Trolley Gysflash XL	Trolley 101.12 CNT	Barcode Scanner 1D/2D	Support Scanner
027749	029491	027718	
USB Keyboard		Standard roller	SMC Cable
AZERTY	027725	x2 included - 57mm x 7,5 m Ø 25 mm	L = 3 m
QWERTY	027770	056633	025691



A COMPLETE RANGE  
 for 200 > 240 V MONO / TRI  
 50/60 Hz

DÉBOSSSELAGE - Dent pulling - デントブラー

GYSPT 2600 page 6	2700 page 6	39.02 page 7	PRO 230 page 8	EXPERT 200 page 9	ALU PRO FV page 10	ARC PULL 200 page 11	COMBI 230 PRO page 12
----------------------	----------------	-----------------	-------------------	----------------------	-----------------------	-------------------------	--------------------------

SOUDURE PAR POINT - Spotwelding - スポット溶接

GYSPT BPLCX-s7 220 V page 44	GYSPT EVOLUTION PTI-s7 220 V page 45	GYSPT BPLG 220 V page 46
------------------------------------	--	-----------------------------

RIVETAGE - Riveting - リベット打ち

GYSPRESS 8t page 50	GYSPRESS PUSH PULL page 51
------------------------	-------------------------------

MIG/MAG TRADITIONNEL - Traditional MIG/MAG - ミグマグトラディショナル

M1GYS AUTO	M3GYS AUTO
T1GYS AUTO DV	T3GYS AUTO DV

MIG/MAG INVERTER PULSÉ - ミグマグハルスインバーター

NEOPULSE 300 page 60	AUTOPULSE 220-M3 page 62
-------------------------	-----------------------------

CHARGEUR - Battery charger - バッテリーチャージャー

GYSFLASH 50.12 FV page 89
------------------------------

DÉCOUPAGE PLASMA - Plasma cutting - プラズマカッター

CUTTER 31 FV page 74	CUTTER 40 FV page 74
-------------------------	-------------------------

INDUCTION - インダクション

GYSDUCTION AUTO page 71
----------------------------



INDIAN CAR MANUFACTURER APPROVALS / COMPLIANCE



	OEM - CARS											OEM - TRUCKS							
DENT PULLER	GYSPT 39.02																		
	SPEEDLINER																		
	GYSPT ALU FV																		
SPOT WELDERS	GYSPT 32D																		
	GYSPT INVERTER BP-MS/LX/LC/LQC																		
	GYSPT EVOLUTION PTI-s7																		
MIG/MAG	CARMIG																		
	T1 GYS AUTO																		
	T3 GYS AUTO																		
PLASMA	NEOPULSE																		
	CUTTER 25K																		
	CUTTER 30FV																		
INDUCTION	GYSDUCTION AUTO																		
	BATTERY CHARGERS																		
TOOLS & TROLLEYS																			



## GYS FRANCE

### HEADQUARTER

1 rue de la Croix des Landes  
CS 54159  
53941 Saint-Berthevin - Cedex  
Laval - France  
Tel +33 2 43 01 23 60  
E-mail [service.client@gys.fr](mailto:service.client@gys.fr)



ZI, 134 bd des Loges  
53941 Saint-Berthevin  
Laval - France

### LOGISTIC CENTER

2 Rue Jean Dausset  
53910 Changé - France  
Tel +33 2 43 01 54 33



INVEST IN THE FUTURE



French manufacturer  
since 1964

# INVEST IN THE FUTURE

[www.gys.fr](http://www.gys.fr)



## GYS Germany

Professor-Wieler  
Straße 11  
52070 Aachen  
Deutschland  
Tel +49 241 / 189-23-710  
Fax +49 241 / 189-23-719  
E-mail [aachen@gys.fr](mailto:aachen@gys.fr)



## GYS ITALIA

Vega - Parco Scientifico Tecnologico  
di Venezia  
Via Delle Industrie, 25/4  
30175 Marghera - VE  
Italia  
Tel +39 041 53 21 565  
E.mail [italia@gys.fr](mailto:italia@gys.fr)

LinkedIn



Youtube



## GYS UK

Unit 3  
Great Central Way  
Rugby - Warwickshire  
CV21 3XH  
United Kingdom  
Tel +44 1926 338 609  
Fax +44 1926 429 764  
E-mail [uk@gys.fr](mailto:uk@gys.fr)



## GYS CHINA

Lot N°15  
6666 bd Songze  
201706 Qingpu Shanghai  
China  
Tel +86 6221 4461  
Fax +86 5226 0067  
[www.gys-china.com.cn](http://www.gys-china.com.cn)  
E-mail [contact@gys-china.com.cn](mailto:contact@gys-china.com.cn)

WeChat



Distributed by

2020

