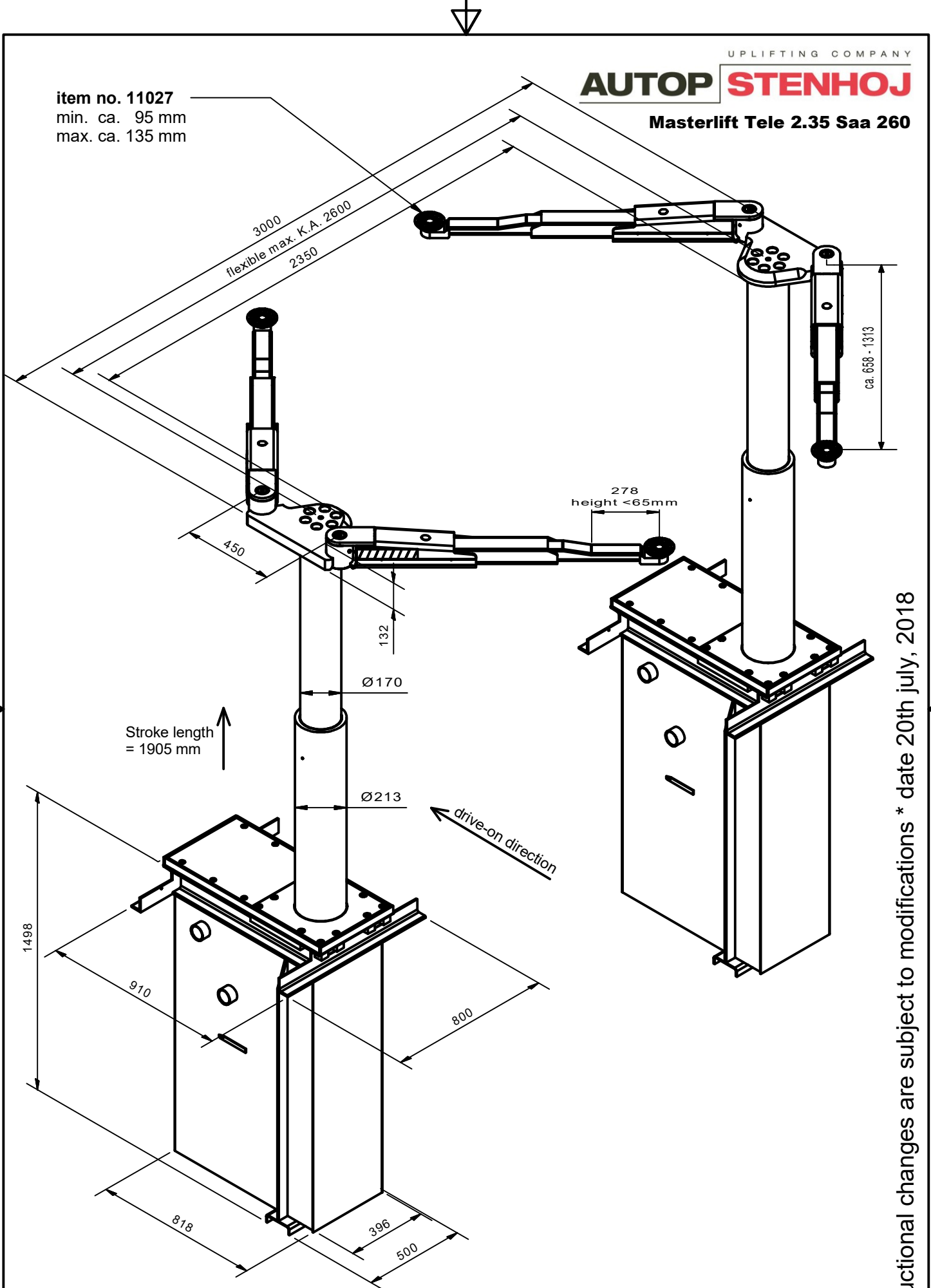
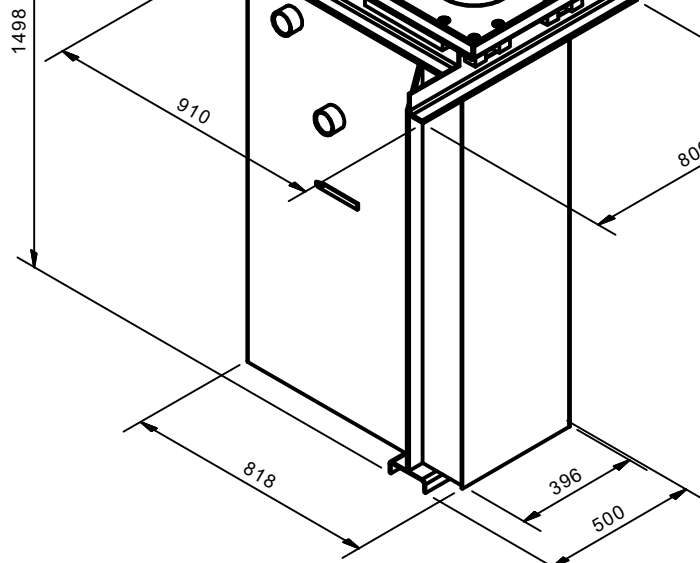


item no. 11027
min. ca. 95 mm
max. ca. 135 mm



Stroke length = 1905 mm

drive-on direction



Dimension sketch incl. specifications of level for drive-over height.

Constructional changes are subject to modifications * date 20th july, 2018