



# 3,0 ECO LINE

TWO POST HYDRAULIC LIFT

## Basic information



Personal cars

**3000**

Loading capacity [kg]

**3650**

Maximum clearance height [mm]

**2220**

Clearance width [mm]

**1874 ÷ 1901**

Maximum height of arm [mm]

**95**

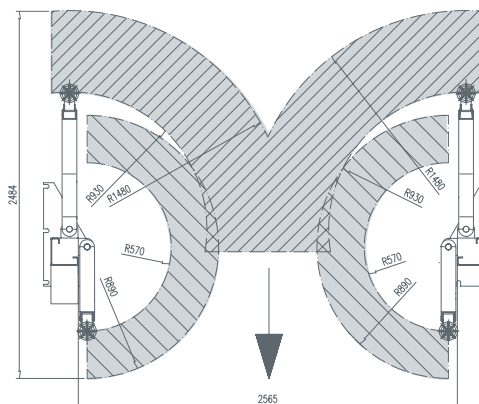
Minimum height of arm [mm]

**2,2**

Motor [kW]



- LOADING CAPACITY 3000 kg
- ASYMMETRIC DESIGN
- HYDRAULIC DRIVE HIGHLY EFFICIENT AND ECONOMICAL
- HEIGHT LIMIT CONTROL SWITCH TO PROTECT THE CAR
- ERGONOMIC POWER PACK COVER
- EASY OPERATION
- CZECH MADE
- LIFTS ARE DESIGNED AND MANUFACTURED IN ACCORDANCE WITH ČSN EN 1493:2010



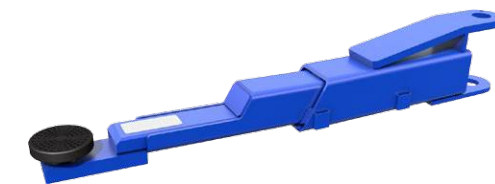
## Advantages



ELECTRO-MAGNETIC BUTTON OPERATION CONTROL



ELECTRO BOX EB2



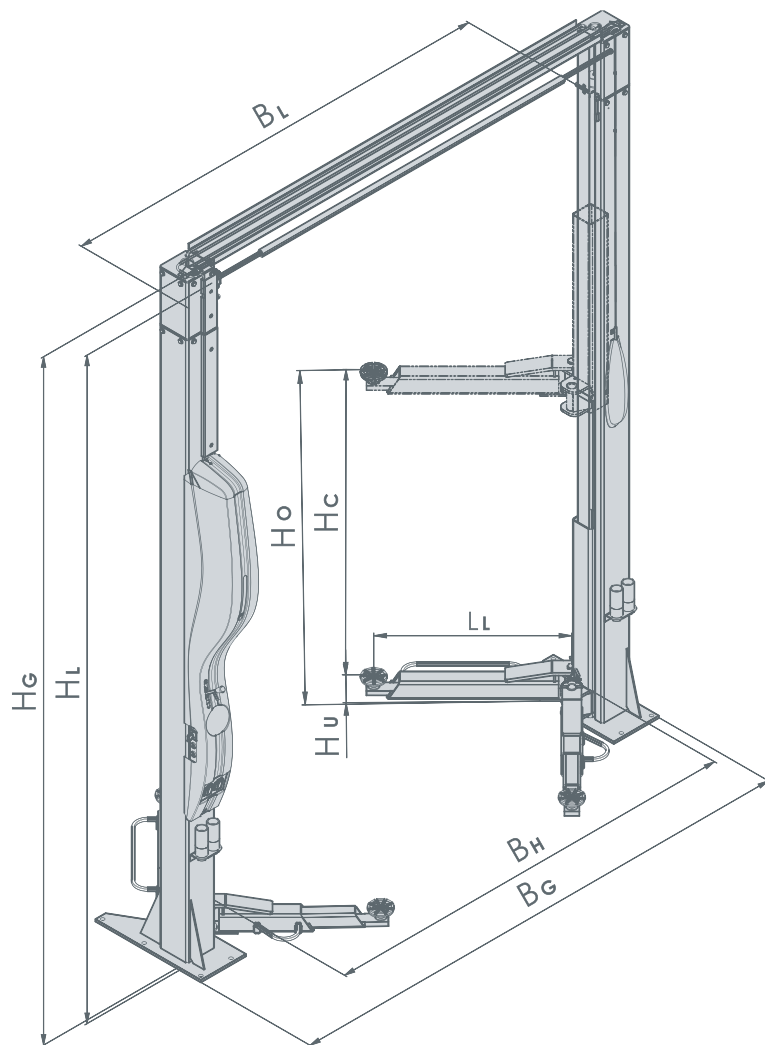
LOW PROFILE ARM



# TECHNICAL DATA

AMI 3,0 ECO LINE / AMI 3,6 CLASSIC / AMI 4,0 VARIANT

Technical drawing for asymmetric two post hydraulic lifts



Technical data for asymmetric hydraulic lifts

	AMI 3,0 ECO LINE	AMI 3,6 CLASSIC* AMI 4,0 VARIANT
Maximum loading capacity	3000 kg	3600 kg* / 4000 kg
Maximum lifting time	32 s	48 s
Minimum lowering time	21 s	24 s
Power system	TN-S 3/N/PE 400/230V AC, 50 Hz	
Motor	2,2 kW	2,2 kW
Maximum height of arm $H_o$	1868 ÷ 1895 mm	1845 mm
Minimum height of arm $H_u$	95/79 mm**	95 mm
Maximum clearance height $H_L$	3650 mm	3550*/3880/4080/4280/4530 mm
Total height $H_G$	3740 mm	3670*/4000/4200/4400/4650 mm
Maximum clear distance of posts $B_L$	2565 mm	2565 mm
Maximum clearance width $B_H$	2220 mm	2220 mm
Total width $B_G$	3035 mm	3035 mm
Extension of short arm $L_k$	570 mm - 890 mm	570 mm - 890 mm
Extension of long arm $L_L$	930 mm - 1480 mm	930 mm - 1480 mm
Thickness of slab	160 mm	200 mm

- \*no extension possibility
- \*\*standard/lower profile of arm
- right to make technical changes reserved



# TECHNICAL DATA

## TWO POST HYDRAULIC LIFT

### Lift assembling

- AMI lifts are typically delivered pre-assembled and packed in heavy transport resistant frame.
- To put on the hand the lift correctly is particularly difficult task. Therefore is strongly recommended that the lift is assembled, fixed on the floor and adjusted by specialists certified by producer.
- The building roof must be higher about 100mm than the total lifting height.
- AMI lifts can be fixed only on top quality concrete floor representing the high quality concrete (the minimum concrete quality mark C20/25 according to DIN 1045:2001-07) slab at:

**160 mm AMI 3,0 ECO LINE**

**200 mm AMI 3,6 CLASSIC / AMI 4,0 VARIANT**

**300 mm AMI 5,5 VAN**

**230 mm AMI 8,0 BUS**

alternatively, on the foundation of the same concrete having the dimensions 1200 by 700 mm (1200 x 1200 mm for AMI 8,0 BUS) under each post and sunk to a minimum depth of 500 mm indoors (800 mm for AMI 8,0 BUS) and 800 mm outdoors (1000 mm for AMI 8,0 BUS).

- There must be an electricity line available at the site complying with the following specifications: TN-S 3/N/PE AC 400V/230V/50 Hz. This power line must be provided with the 16/3/B (20/3/B for AMI 5,5 VAN and AMI 8,0 BUS) amperes contact breaker fuse complying with the characteristics of the electric motor of the lift. Power mains must be executed by a flexible cable type H05VV-F.
- The oil tank of the lift must be filled with the oil OHHM 32 (the level of filling can be checked through the transparent plastic tank).

### Packing dimensions

TYPE	LENGTH	WIDTH	HEIGHT	GROSS WEIGHT
AMI 3,0 ECO LINE	3,8 m	1,12 m	0,45 m	520 kg
AMI 3,6 CLASSIC	3,70 m	1,15 m	0,45 m	570 kg
AMI 4,0 VARIANT 4000/4200/4400/4650 mm	max.4,8 m	1,15 m	0,45 m	620/625/635/640 kg
AMI 5,5 VAN: 4000/4300/4600/4900/5400 mm	5,7 m	1,15 m	0,52 m	896/921/931/951/977 kg
AMI 8,0 BUS 4350/4700/5000 mm	max.5,05 m	1,15 m	1,01 m	1489/1510/1530 kg

- right to make technical changes reserved

Colour of the lifts according end-user request, RAL classification as reference



AMI 3,0 ECO LINE

AMI 3,6 CLASSIC / 4,0 VARIANT

AMI 5,5 VAN

AMI 8,0 BUS

AMI 4,0 N-WAY / IN

AMI 5,5 N-WAY / IN

AMI 5,5 / 7,5 TRUCK

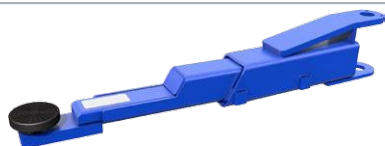
AMI J 2,0 / 2,5 RH / 2,5 VH



# ACCESSORIES

TWO POST HYDRAULIC LIFTS

## Low profile arm

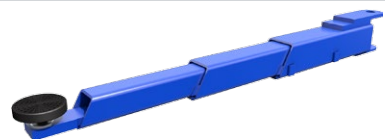


- short, 570-890 mm, 030216-00-00
- long, 930-1480 mm, 030211-00-00

### Application:

AMI 3,0 ECO LINE

## 3-stage arms

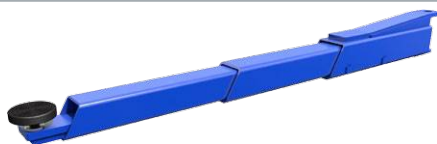


- 726-1447 mm, 092209-00-00

### Application:

AMI 3,0 ECO LINE  
AMI 3,6 CLASSIC  
AMI 4,0 VARIANT

## 3-stage arms EX



- 900-2000 mm, 398210-00-00

### Application:

AMI 5,5 VAN

## Adapters for commercial vehicles



- Adapter „PIN“  
398294-00-00, A
- Adapter „PIN“  
397298-00-00, D



- Adapter „V“  
398295-00-00, B
- Adapter „V“  
397299-00-00, E



- Adapter „RING“  
398296-00-00, C



- Adapter „U I“  
398297-00-00, F



- Adapter „U II“  
398298-00-00, G

### Application:

AMI 3,0 ECO LINE A/B/C/F/G  
AMI 3,6 CLASSIC A/B/C/F/G  
AMI 4,0 VARIANT A/B/C/F/G  
AMI 5,5 VAN A/B/C/F/G  
AMI 8,0 BUS D/E/C

## Rubber pads



- Rubber pad  
Ø 125 mm, GP12,  
330000000219



- Rubber pad with  
the steel frame GPK,  
94218



- Rubber pad  
- ring,  
Ø 125 mm, GPVA  
092294-00-00

- Rubber pad  
- ring,  
Ø 125 mm, GPVB  
399294-00-00



- Rubber pad  
- rectangular,  
148x80 mm, GPVO  
092295-00-00

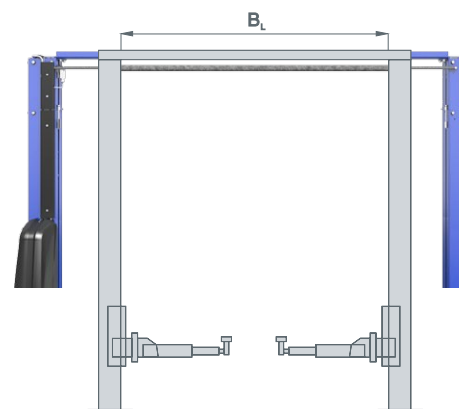
### Application:

AMI 3,0 ECO LINE GP12, GPK, GPVA, GPVO  
AMI 3,6 CLASSIC GP12, GPK, GPVA, GPVO  
AMI 4,0 VARIANT GP12, GPK, GPVA, GPVO

AMI 5,5 VAN  
AMI 8,0 BUS

GP12, GPK, GPVA, GPVO  
GP12, GPVB

## Special lift width



- Special lift width (dimension in scheme B<sub>L</sub>)

### Application:

AMI 3,0 ECO LINE 0 mm - 3400 mm  
AMI 3,6 CLASSIC 0 mm - 3400 mm  
AMI 4,0 VARIANT 0 mm - 3400 mm  
AMI 5,5 VAN 0 mm - 4600 mm  
AMI 8,0 BUS 0 mm - 4100 mm



# ACCESSORIES

TWO POST HYDRAULIC LIFTS

## Truck adaptor



- Truck adaptor, NP05, 80301
- Truck adaptor, NP10, 80302
- Truck adaptor, NP15, 80303
- Truck adaptor, NP25, 80304
- Truck adaptor, NH06, 397301-00-00
- Truck adaptor, NH12, 397302-00-00
- Truck adaptor, NH18, 397303-00-00
- Truck adaptor, NH24, 397304-00-00

## Electro-magnetic button operating system



- Electro-magnetic button operating system

### Application:

AMI 3,6 CLASSIC  
AMI 4,0 VARIANT  
AMI 5,5 VAN

## Electro box



- EB1  
092094-00-00



- EB1 - 4  
092094-02-00



- EB2  
092095-00-00

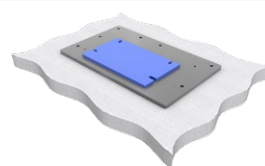


- EB3  
092096-00-00

### Application:

AMI 3,0 ECO LINE  
AMI 3,6 CLASSIC  
AMI 4,0 VARIANT  
AMI 5,5 VAN  
AMI 8,0 BUS

## Stabilizing plate

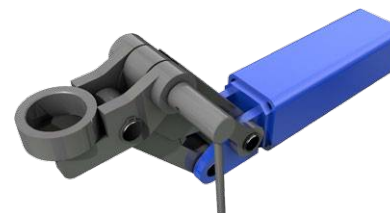


- When the ground is not solid enough

### Application:

AMI 4,0 VARIANT (100 mm) 092600-00-00  
AMI 5,5 VAN (120 mm) 098600-00-00

## Adjustable pads



- Adjustable pads SP 092851-00-00

### Application:

AMI 3,0 ECO LINE

## Zincing baseplate



- Zincing lower part of lift

### Application:

AMI 3,0 ECO LINE  
AMI 3,6 CLASSIC  
AMI 4,0 VARIANT  
AMI 5,5 VAN  
AMI 8,0 BUS

## Other accessories



- integrated socket  
3Ph/400/16  
092093-00-00



- air hose reel  
092092-00-00



- power reel  
092091-00-00

### Application:

AMI 3,0 ECO LINE  
AMI 3,6 CLASSIC  
AMI 4,0 VARIANT  
AMI 5,5 VAN  
AMI 8,0 BUS

## Alternative electrical power supply system

- TN-S 3NPE 220/127V AC, 50Hz
- TN-S 1NPE 230V AC, 50Hz
- IT 3PE 230V AC, 50Hz
- TN-S 3NPE 400/230V AC, 60Hz
- TN-S 3NPE 220/127V AC, 60Hz
- TN-S 3NPE 208/120V AC, 60Hz