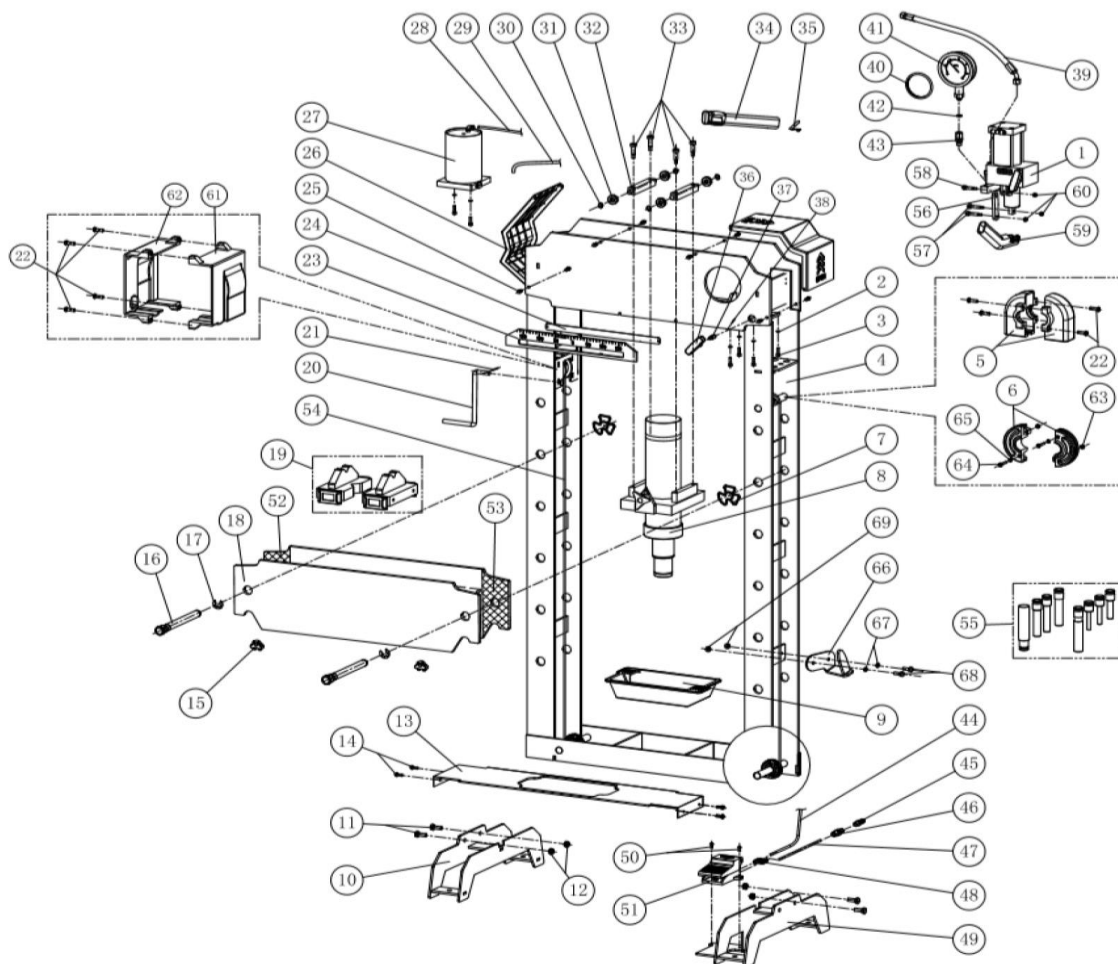


Product code: FG 732/20TP



REF.	CODE	DESCRIPTION	Q.TY/EACH TOOL
1	FG 732/20TP-1	Oil pump assy	1
2	FG 732/20TP-2	Spring washer	6
3	FG 732/20TP-3	Inner hexagonal screw	6
4	FG 732/20TP-4	Frame assy	1
5	FG 732/20TP-5	Pulley protection cover assy	1
6	FG 732/20TP-6	Pulley protection cover assy	3
7	FG 732/20TP-7	Shift shaft ring	2
8	FG 732/20TP-8	Cylinder assy	1
9	FG 732/20TP-9	Spare parts tray	1
10	FG 732/20TP-10	Foot base assy	1
11	FG 732/20TP-11	Set of 4 pcs - Outer hexagonal screw	1
12	FG 732/20TP-12	Nylon locking screw nut	4

REF.	CODE	DESCRIPTION	Q.TY/EACH TOOL
13	FG 732/20TP-13	Plate protection cover	1
14	FG 732/20TP-14	Outer hexagonal screw	4
15	FG 732/20TP-15	Wirerope lock	2
16	FG 732/20TP-16-1	Gear shaft	2
	FG 732/20TP-16-2	Pin rubber sleeve	2
17	FG 732/20TP-17	E-clamp	2
18	FG 732/20TP-18	Working bench assy	1
19	FG 732/20TP-19-1	V-Block assy	1
		Block baffle	2
		Rotating shaft for block baffle	2
		Machine screw	2
		Spring pin	2
		Spring pin	2
20	FG 732/20TP-20	Winch handle	1
21	FG 732/20TP-21	Cylindrical pin	1
22	FG 732/20TP-22	Pulley protection cover assy	1
23	FG 732/20TP-23	Scale	1
24	FG 732/20TP-24	Layering	1
25	FG 732/20TP-25	8 pcs of Plastic plug	1
26	FG 732/20TP-26	Dust-proof cover	2
27	FG 732/20TP-27	Oil tank Assy	1
28	FG 732/20TP-28	PU pipe	1
29	FG 732/20TP-29	Nylon pipe	1
30	FG 732/20TP-30	4 pcs of Axle clip spring	1
31	FG 732/20TP-31	Bearing	4
32	FG 732/20TP-32	Cylinder moving shaft	2
33	FG 732/20TP-33	4 pcs of Shoulder screw	1
34	FG 732/TP-34-1	Handle assy-1	1
	FG 732/TP-34-2	Handle plastic sleeve	1
35	FG 732/TP-35	V-spring	1
36	FG 732/TP-36	Pressure relief knob(female)	1
37	FG 732/TP-37	Pressure-relief rod2	1
38	FG 732/TP-38	Spring pin	1
39	FG 732/TP-39	Oil pipe assy	1
40	FG 732/TP-40	Gauge protection strip	1
41	FG 732/TP-41	Pressure gauge	1
42	FG 732/TP-42	Gauge joint connector	1
43	FG 732/TP-43	Locking O-ring	1

REF.	CODE	DESCRIPTION	Q.TY/EACH TOOL
44	FG 732/TP-44	PU pipe	1
45	FG 732/TP-45	Air inlet connector	1
46	FG 732/TP-46	Quick plug straight through connector	1
47	FG 732/TP-47	PU pipe	1
48	FG 732/TP-48	Quick plug straight connector	2
49	FG 732/TP-49	Foot base assy	1
50	FG 732/TP-50	Inner hexagonal round head screw	2
51	FG 732/TP-51	Foot pedal valve	1
52	FG 732/TP-52	Workbench wear plate(right)	2
53	FG 732/TP-53	Workbench wear plate(left)	2
54	FG 732/TP-54	wirerope	1
55	FG 732/TP-55	Pin(2T)	1
		Pin(3T)	1
		Pin(6T)	1
		Pin(8T)	1
		Pin(10T)	1
		Pin(12T)	1
		Pin(13T)	1
		Pin(15T)	1
56	FG 732/TP-56	Pump connecting rod	1
57	FG 732/TP-57	2 pcs of Shoulder screw	1
58	FG 732/TP-58	Shoulder screw	1
59	FG 732/TP-59	Handle2 assy	1
60	FG 732/TP-60	3 pcs of Nylon locking screw nut	1
61	FG 732/TP-61	Winch protection cover B	1
62	FG 732/TP-62	Winch protection cover A	1
63	FG 732/TP-63	2 pcs of Thin hexagon screw nut	1
64	FG 732/TP-64	2 pcs of Inner hexagonal screw	1
65	FG 732/TP-65	2 pcs of Spring washer	1
66	FG 732/TP-66	Handle fixed support	1
		Spring washer	2
		Outer hexagonal screw	2
		Outer hexagonal screw	2