



[www.ath-heinl.de](http://www.ath-heinl.de)

## ATH-Heinl GmbH & Co. KG

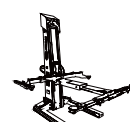
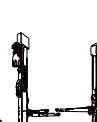
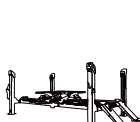
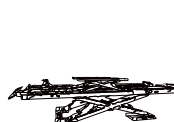
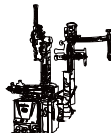
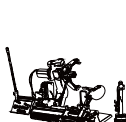
Gewerbepark 9  
D-92278 Illschwang  
Germany

Tel.: +49 (0)9666 18801 00

Fax: +49 (0)9666 18801 01

[info@ath-heinl.de](mailto:info@ath-heinl.de)

[www.ath-heinl.de](http://www.ath-heinl.de)





# Operating Instructions



## ATH-Single Lift

Single Lift 25M

Serial number: C282140200089




ATH-Heinl GmbH & Co. KG | Gewerbepark 9  
D-92278 Illschwang | Germany | [www.ath-heinl.de](http://www.ath-heinl.de)  
Stand: September 2021. Fehler und Irrtümer vorbehalten. Verkauf nur über ATH-Vertriebspartner.



## Contents

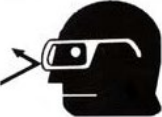
1.0	INTRODUCTION .....	- 3 -
1.1	General Information.....	- 3 -
1.2	Description.....	- 4 -
1.3	Operation.....	- 6 -
1.4	Technical Data .....	- 9 -
1.5	Dimensions Drawing .....	- 11 -
2.0	INSTALLATION .....	- 13 -
2.1	Transport & Storage Conditions .....	- 13 -
2.2	Unpacking the machine.....	- 13 -
2.3	Delivery Contents .....	- 14 -
2.4	Location.....	- 15 -
2.5	Fixing .....	- 16 -
2.6	Electrical Connection.....	- 16 -
2.7	Pneumatic Connection.....	- 16 -
2.8	Hydraulic Connection .....	- 17 -
2.9	Assembly .....	- 18 -
2.10	Completion of Work.....	- 24 -
3.0	OPERATION .....	- 28 -
3.1	Operating Instructions .....	- 28 -
3.2	Basic Information .....	- 29 -
4.0	MAINTENANCE .....	- 30 -
4.1	Consumables for installation, maintenance and servicing.....	- 30 -
4.2	Safety Regulations for Oil .....	- 31 -
4.3	Notes .....	- 32 -
4.4	Maintenance or Service Plan .....	- 32 -
4.5	Troubleshooting / Error Display and Solutions .....	- 33 -
4.6	Maintenance and Service Instructions.....	- 35 -
4.7	Disposal.....	- 36 -
5.0	EG-/EU-KONFORMITÄTSERKLÄRUNG / EC-/EU-DECLARATION OF CONFORMITY.....	- 37 -
6.0	APPENDIX .....	- 38 -
6.1	Pneumatic circuit diagram .....	- 38 -
6.2	Electric circuit diagram.....	- 39 -
6.3	Hydraulic circuit diagram.....	- 40 -
7.0	WARRANTY CARD.....	- 41 -
7.1	Scope of the Product Warranty .....	- 42 -
8.0	INSPECTION LOG .....	- 43 -
8.1	Installation and Handover Log .....	- 44 -
8.2	Inspection Plan.....	- 45 -
8.3	Visual inspection (authorised expert).....	- 46 -
9.0	NOTES.....	- 50 -

## 1.0 INTRODUCTION

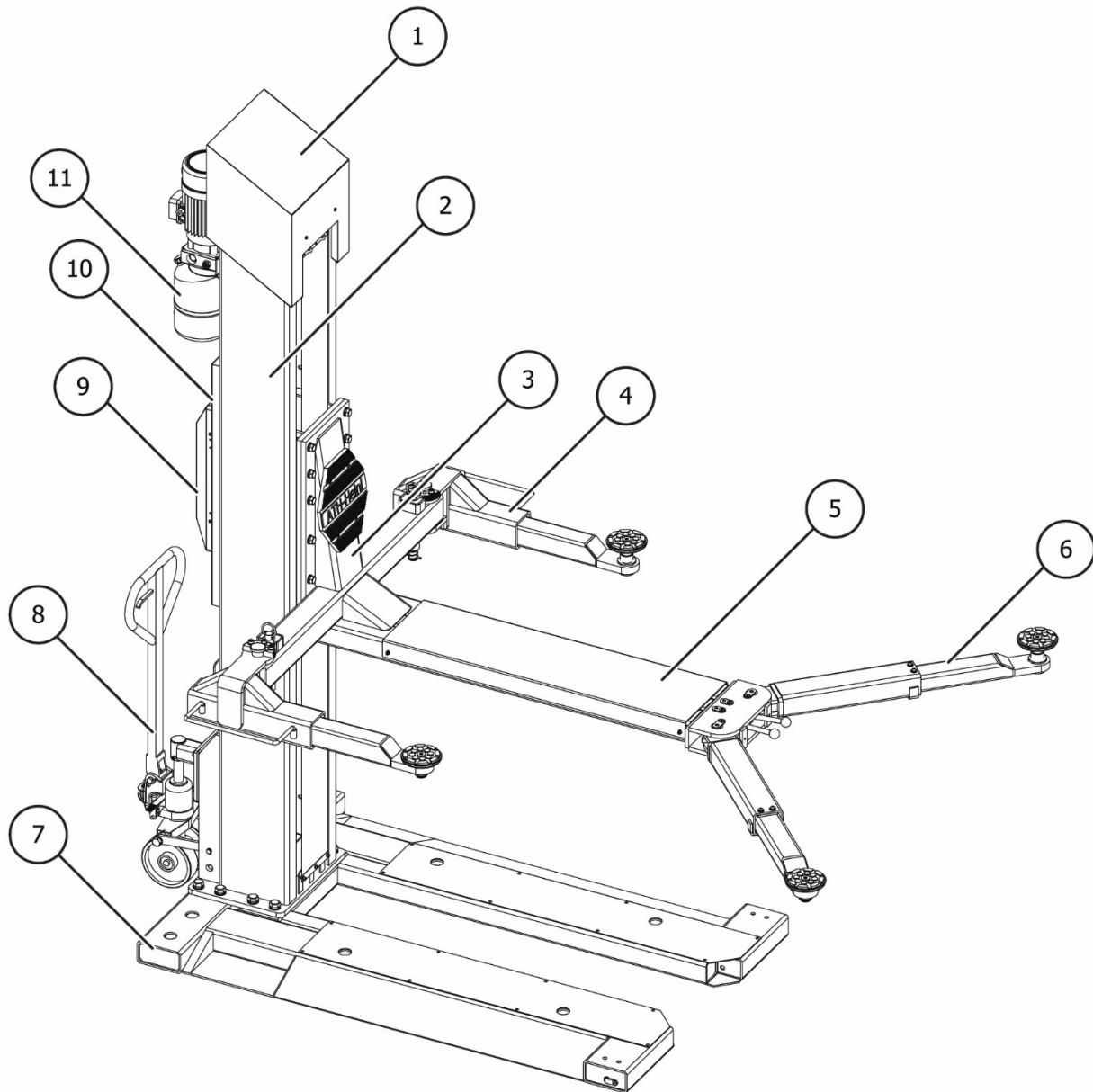
### 1.1 General Information

	<p><b>THESE INSTRUCTIONS ARE AN INTEGRAL PART OF THE MACHINE. THEY MUST BE READ AND UNDERSTOOD BY THE USER. NO LIABILITY IS ASSUMED FOR ANY DAMAGES CAUSED BY FAILURE TO FOLLOW THESE INSTRUCTIONS OR THE VALID SECURITY PROVISIONS.</b></p>
---	--

	<p>WARNING: Follow the instructions to prevent injury or damage.</p>
	<p>TIP: Provides more information on functionality and tips for using the device efficiently.</p>

	<p>Appropriate protective clothing must be worn for all work on the described system.</p>
--	---

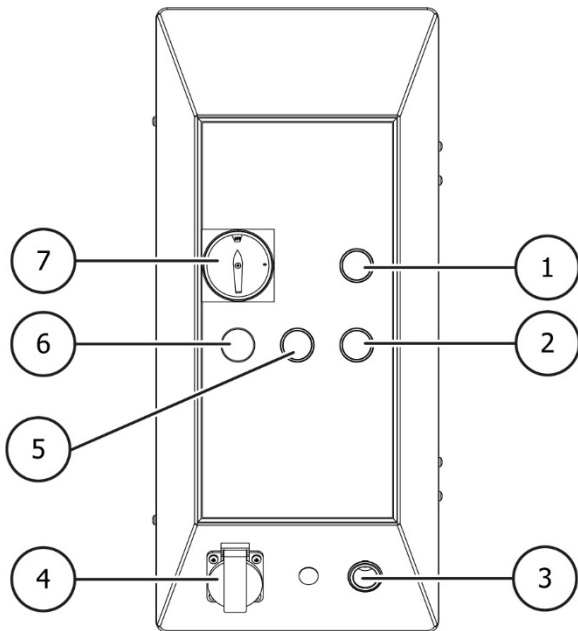
## 1.2 Description



①	Hat To cover the column
②	Lifting column The lifting carriage is guided by sliding blocks as it moves up and down the lifting column. The hydraulic lifting cylinder and the lifting chain are also located here.
③	Lifting carriage The lifting carriage supports the arm (load bearing equipment). It is lifted and lowered by the hydraulic cylinder by means of chains; it is guided in the column by plastic sliding blocks.
④	Rear Arms Telescopic arms, their length of the arm can be adjusted.
⑤	Arms "H" support
⑥	Front Arms Telescopic arms, their length of the arm can be adjusted.

7	<p>Base frame Serves to stabilise the lift and contains the front rollers which drive the lift.</p>
8	<p>Drive kit Serves to drive and position the lift. The procedure may only be carried out when empty without a load.</p>
9	<p>Control box The complete electrical control system is located here. All buttons are protected by a front ring in order to prevent them being pressed accidentally. Furthermore, all movements are immediately stopped when the buttons are released (dead man's control).</p>
10	<p>Release magnet Electromagnet for releasing the safety catch during the lowering process. The safety catch prevents the lift from lowering autonomously in the case of an error.</p>
11	<p>Hydraulic unit The hydraulic oil is fed from the tank to the lifting cylinder by a gear pump driven by an electric motor. The lowering valve allows the oil to flow back into the tank.</p>

### 1.3 Operation



①	Push button lifting (Up), lifts the carriages
②	Push button lowering (Down), lowers the carriages complete (the safety notch and the lowering valve will be activated)
③	12-volt vehicle socket
④	Socket Outlet 1 X 230V
⑤	Push button parking (Lock up), parks (locks) the carriage (just the lowering valve will be activated)
⑥	Signal lamp, indicates whether that the lift is in stand-by.
⑦	Lockable main switch with emergency stop function, prevents switch on / off of the power of the lift from any unauthorized persons

## **LIFTING**

- Make sure that the lift is completely lowered.
- Use the lift truck to move the platform to the vehicle to be lifted. Make sure that the lifting column is in a vertical position and that it does not hit the vehicle.
- Position the support arms under the vehicle.
- Adjust the arms so that the rubber pads can touch the vehicle manufacturer's recommended lifting points on the vehicle.
- Turn on the power switch.
- Raise the platform by pressing the lifting button until the arms touch the underside of the vehicle.
- Make sure the vehicle is secured.
- Keep pressing the Lift button until you reach the height you want.

## **PARKING**

- Press the safety button to activate the mechanical safety precautions.
- Always ensure that safety precautions are in place before working on or near the vehicle.

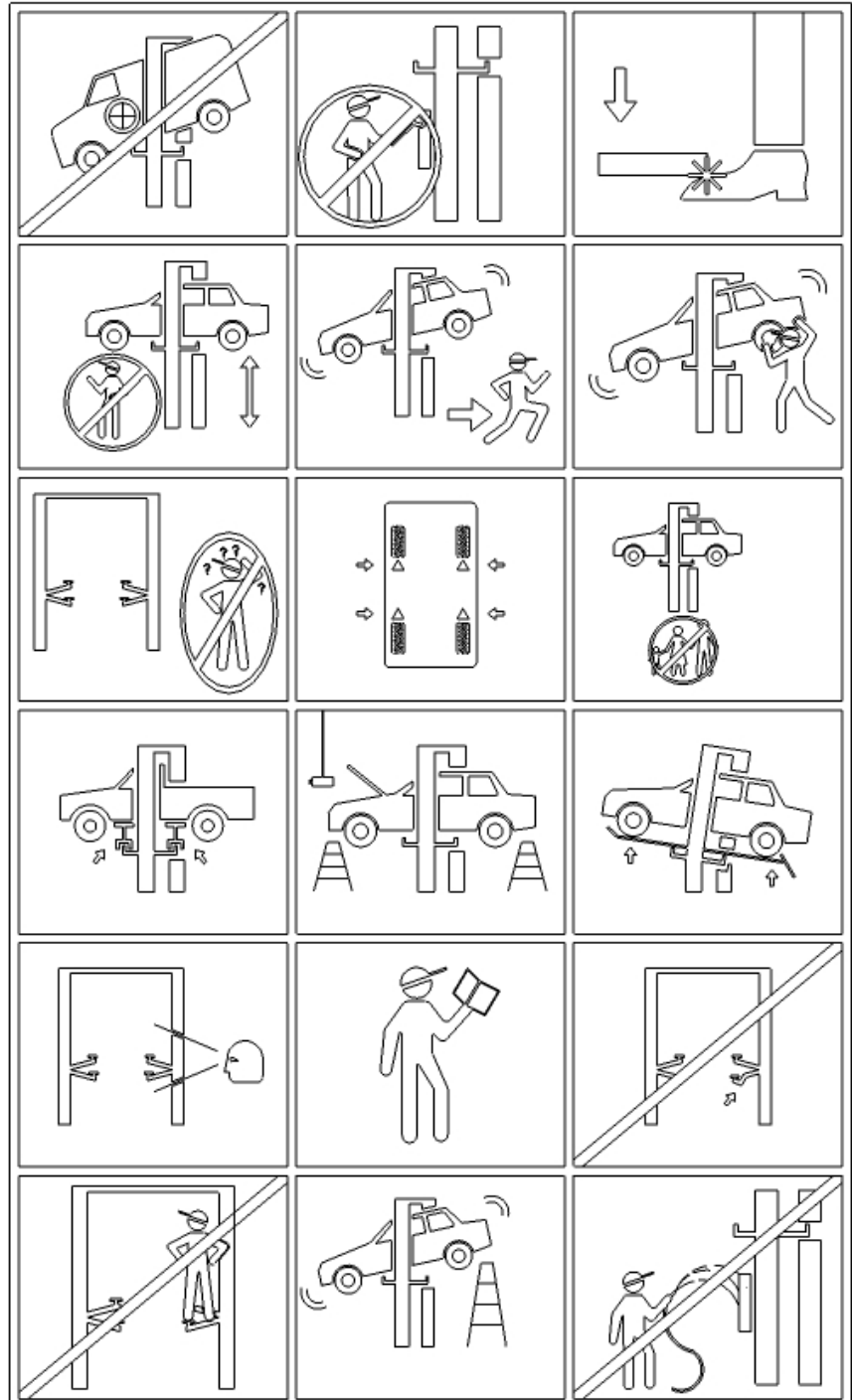
## **LOWERING**

- Lower the vehicle by pressing the lowering button: the lift needs a few seconds to release the safety catch and then starts the lowering process.
- Lower the platform by pressing the lowering button to the safety height.
- Make sure that the safety area is free of people and objects.
- Keep pressing the lowering button until the lift is fully lowered.
- Close the power switch with a padlock.
- Move the lift out of the work area. Be careful not to hit the vehicle.



## Safety instructions

1. Check the correct load capacity and load distribution of vehicles.
2. Do not override the self-closing lifts control
3. Keep feet clear of lift while lowering.
4. Keep free the area by lifting or lowering of the vehicles.
5. Clear area if vehicle is in danger of falling.
6. Avoid excessive raking of the vehicle while on the lift.
7. The lift have to be used by trained operator only.
8. Use vehicle manufacturer's lifting points and close the doors before lifting of the vehicle
9. Allow no unauthorized persons in the working area.
10. Use height extenders when necessary to ensure a good contact.
11. Always use safety stands when removing or installing heavy components.
12. Auxiliary adapters may reduce load capacity.
13. Proper maintenance and inspection is necessary for safe operation.
14. Read operating and safety manuals before using the lift
15. Do no operate with a damaged lift
16. On the lift, lifting arms inside of the lifted vehicles any objects or people have not to be carried.
17. Before lowering the lift check that there are not obstructions under the vehicle or the lifting arms.
18. Lift must not be cleand under running water



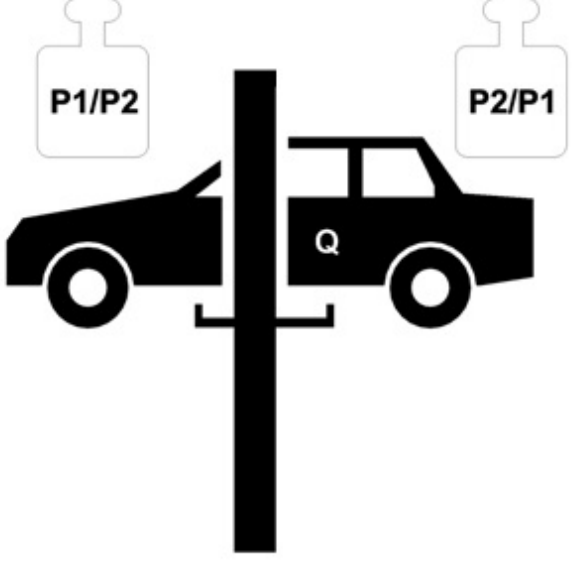
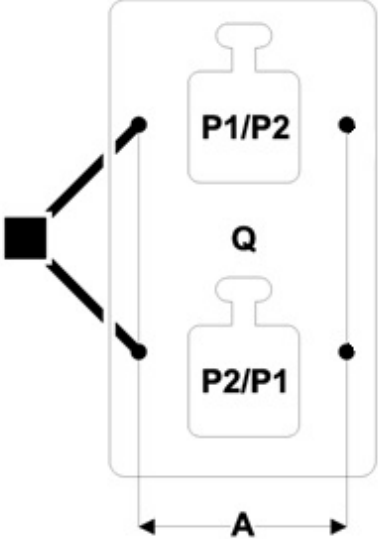
## 1.4 Technical Data

Model	<b>ATH-Single Lift 25M</b>
Load capacity	2,500 kg
Lifting time (2,000 kg)	60 s
Lowering time (2,000 kg)	60 s
Electrical system	3/400V/50 Hz
Lifting height	115-1870 mm
Control voltage	DC24V
Motor	1.5 KW
Upstream fuse	1 C 16 A / 3 C 16 A
Connection cable	Min. 3 x 1.5 mm <sup>2</sup> or 5 x 2.5 mm <sup>2</sup>
Protection type	IP 54
Working pressure <sup>2</sup>	Approx. 180 bar
Recommended hydraulic oil	Summer: HVLP-D 46 (e.g.: ENI Precis HVLP-D 46) Winter: HVLP-D 32
Oil quantity	Approx. 6 l
Permissible sound level	≤ 76 dB
Weight	900 kg
Concrete requirements	Min. 250mm reinforced concrete C25
Floor slope	Max. 3°



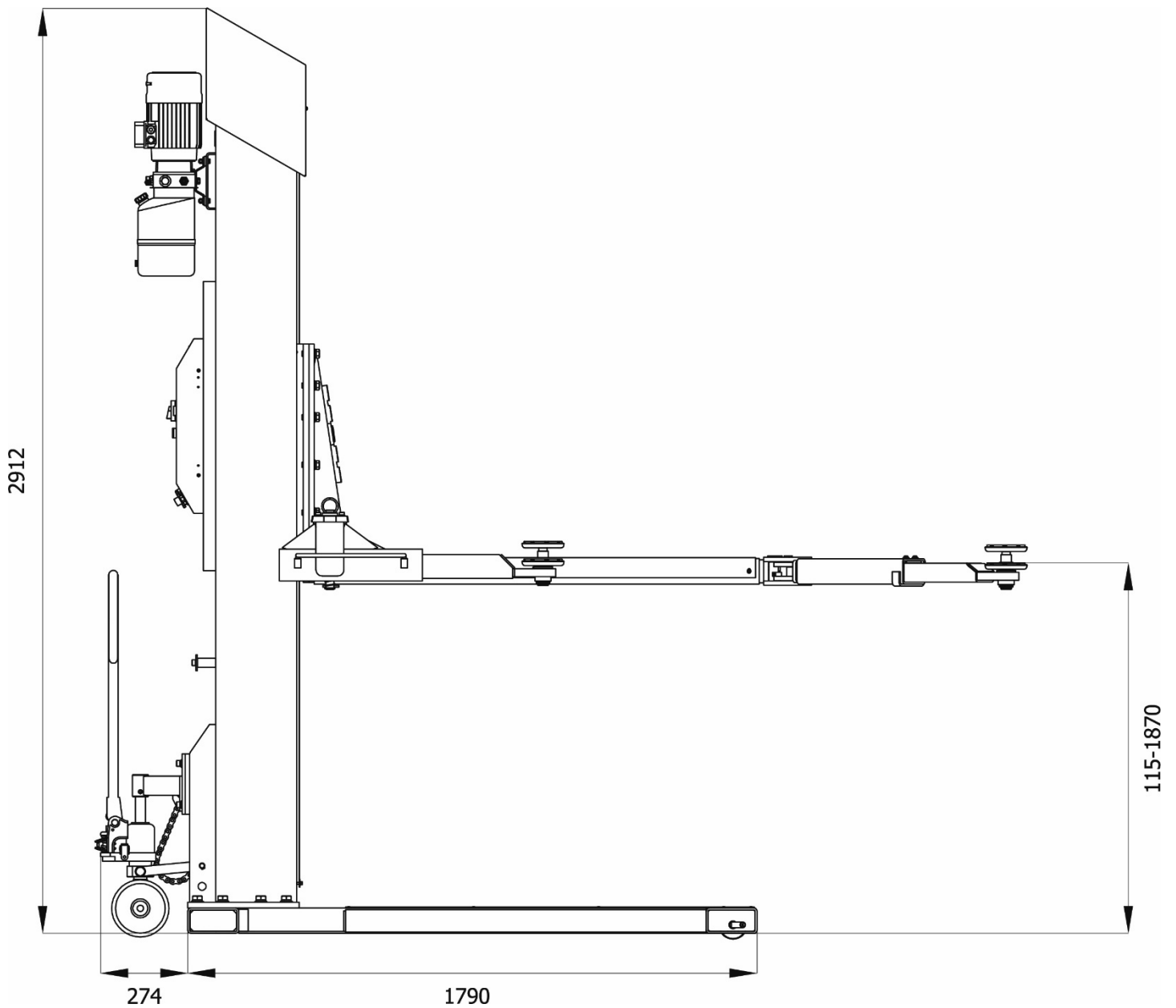
If the indicated rated load cannot be lifted, please contact our service team.

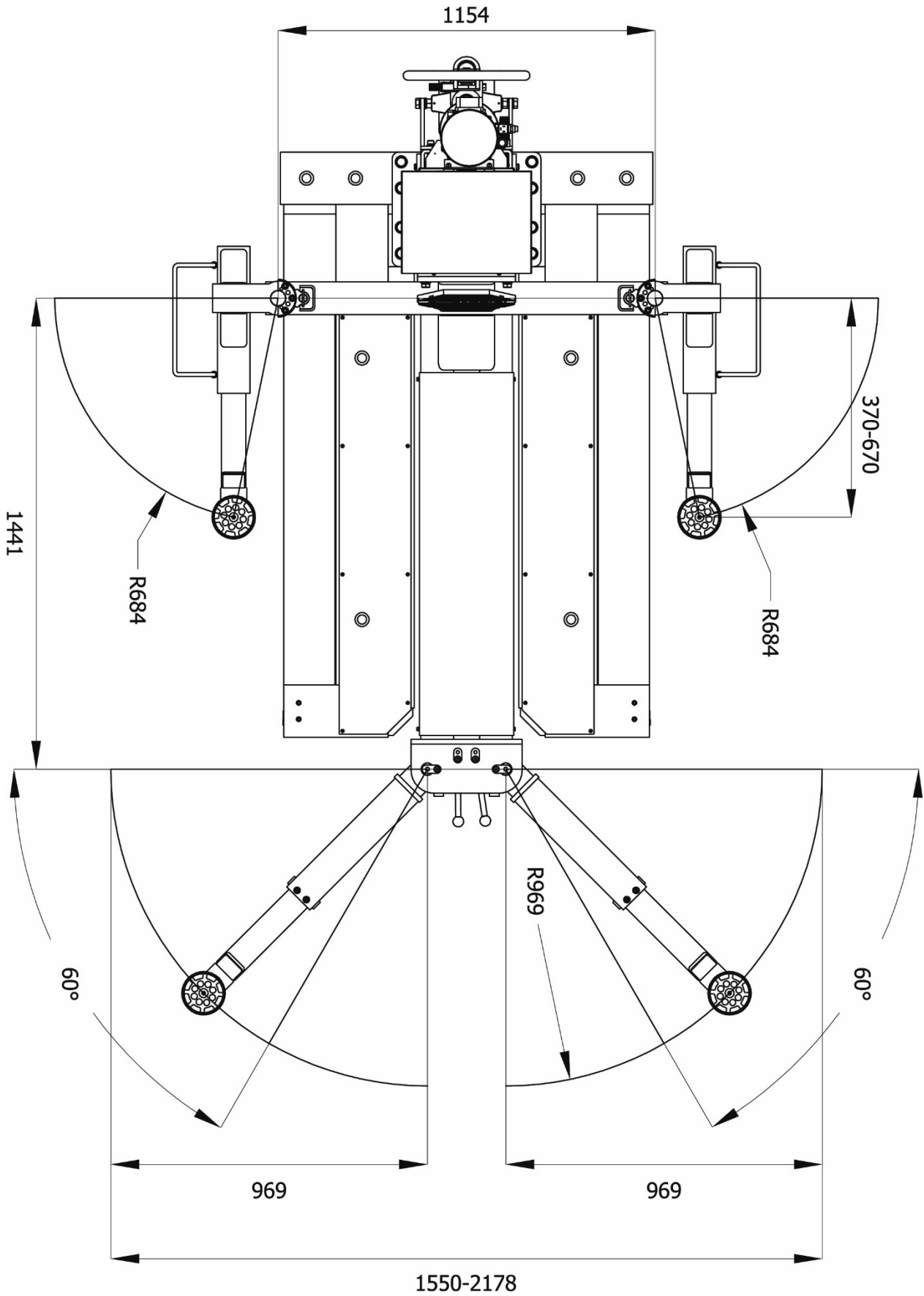
## Load distribution

	Q	Total weight of the vehicle
	P1	Max $2/5 \times Q$
	P2	Max $3/5 \times Q$
	Load distribution	$2/3$
	A	Min. $1,000 \text{ mm}^2$




## 1.5 Dimensions Drawing





## 2.0 INSTALLATION

The machine must be installed by an authorised person according to the instructions.

	<p><b>The operating instructions (including the log) are an important part of the machine / product.</b>  <b>!!!PLEASE STORE CAREFULLY!!!</b></p>
---	---

The product must be checked after completion of the installation, handover, if necessary briefing and then regularly in accordance with the applicable regulations and legal provisions in the country of operation by a suitable and approved company or facility.


### 2.1 Transport & Storage Conditions

When transporting and positioning the machine, always use suitable lifting and material handling equipment and consider the machine's centre of gravity.

The machine should only be transported with the original packaging.

Data:	----
Width	----
Length	----
Height	----
Storage temperature	-10 to +50 °C

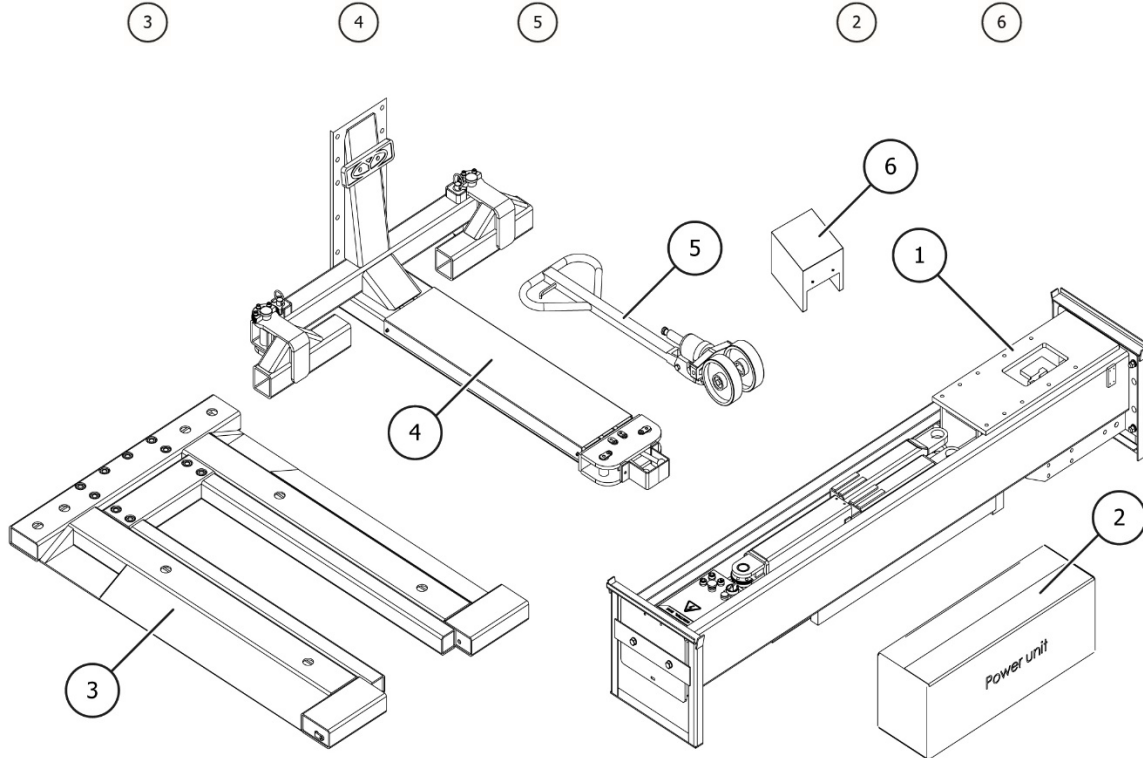
### 2.2 Unpacking the machine

	<p>Remove the top cover of the packaging and make sure that no damage has occurred during transport.</p> <p>Remove the safety bolt to remove the machine from the pallet / rack.          Use a suitable lifting device (possibly with a stopping rope) to lower the machine from the pallet / frame.</p> <p>The packaging material used for the machine should be stored carefully.          Keep the packaging material out of the reach of children as it may be hazardous.</p>
---	--

## 2.3 Delivery Contents

Transport box with:

- column unit included accessories, lifting arms, electric control Box packed in a steel frame 1



Tips for transport and storage:

- Lift carefully. Support the weight properly using suitable equipment that is in a good condition and in good working order.
- Avoid unexpected raises and jerky movements. Beware of bumps, gutters, etc.
- Store the removed packaging at a collection point inaccessible to children and animals until it has been disposed of.
- Storage temperature:  $-25^{\circ}\text{C} \sim +55^{\circ}\text{C}$

## 2.4 Location

The machine should be kept away from flammable and explosive materials, as well as from sunlight and intense light. The machine should be placed in a well-ventilated location.

The machine must be set up on sufficiently firm ground, if necessary, according to the minimum requirements of the information given in the foundation plan.

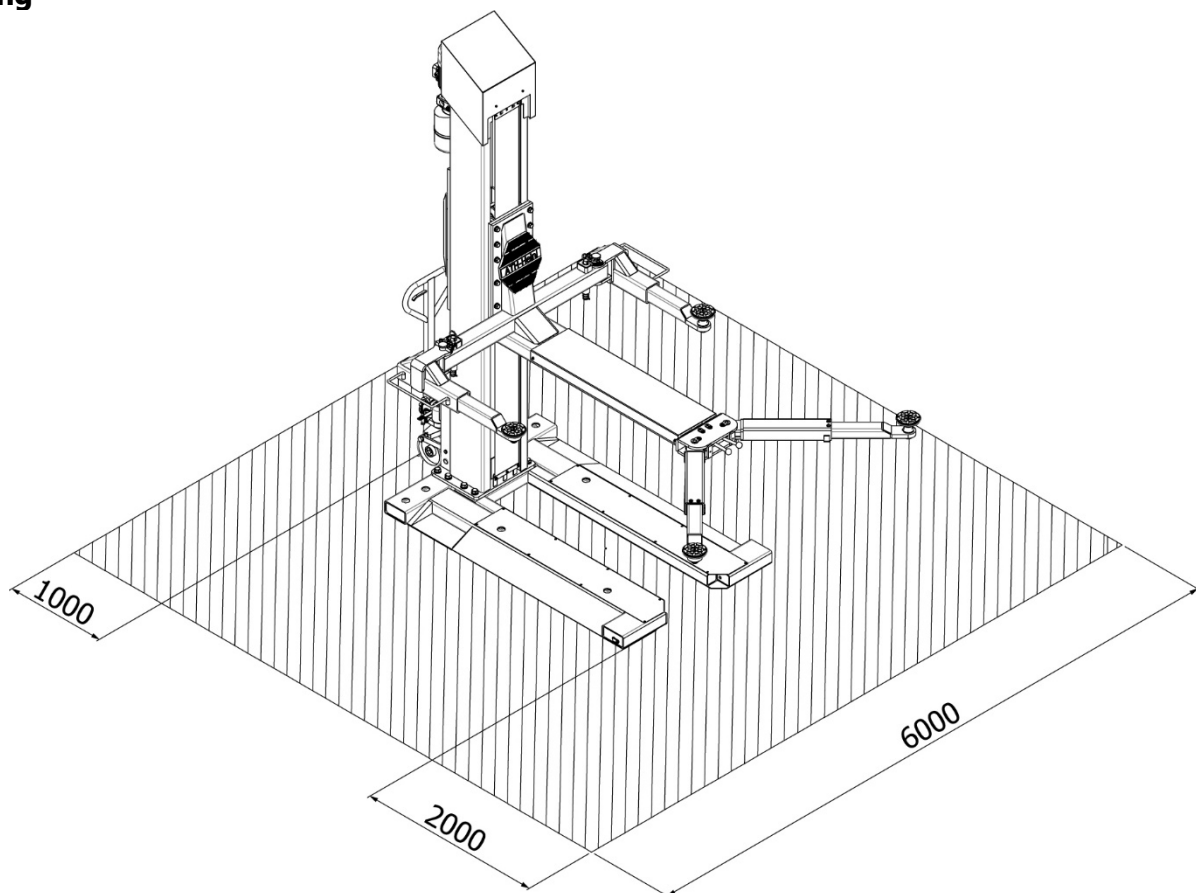
In addition to the ground conditions, the guidelines and instructions of the accident prevention regulations as well as the workplace regulations must be observed when selecting an installation site.

When assembling on floor coverings, check their load-bearing capacity. A construction expert should be consulted for inspection when mounting on floor coverings.

The machine should only be mounted and used within closed rooms. It has no corresponding safety features (e.g. IP protection, galvanised design, etc.).

Temperature	4-40 °C
Sea level	< 1500 m
Humidity	50% at 40 °C – 90% at 20 °C

### Drawing





## 2.5 Fixing



General and local regulations must be observed. Therefore, these steps should only be carried out by a trained professional.

The machine must be set up and fixed on sufficiently firm ground, if necessary, according to the minimum requirements of the information given in the foundation plan.

The machine must be fastened at the points provided with suitable or specified fastening material.

In addition to the ground conditions, the guidelines and instructions of the accident prevention regulations as well as the workplace regulations must be observed when selecting an installation site.

When assembling on floor coverings, check their load-bearing capacity. A construction expert should be consulted for inspection when mounting on floor coverings.

## 2.6 Electrical Connection



General and local regulations must be observed. Therefore, these steps may only be carried out by a trained professional.  
Pay attention to the necessary supply line (see technical data).

The connection should be made with a 230V Schuko plug or 5-phase 16 A CEE plug (partially included).

Voltage deviations should be 0.9 - 1.1 times the nominal voltage range and the frequency deviation should be 0.99 - 1.01 times the frequency range.

Necessary protective measures must be taken to guarantee this.

At the end of the work, the direction that the motor rotates must be checked.

## 2.7 Pneumatic Connection



For all pneumatic systems, a compressed air maintenance unit (partially included) must be installed between the supply line and the system.

The air pressure of the supply line must at least correspond to the technical data.

The compressed air maintenance unit must be set correctly and checked.

The compressed air maintenance unit must be serviced at regular intervals.

The maximum or minimum pressure ensures perfect functioning without any damage.

## 2.8 Hydraulic Connection



Before the system is put into operation or operated for the first time with oil, the following must be observed with regard to the optimal, trouble-free and almost air-free functioning

All hydraulic lines must be connected and tightened according to the hydraulic plan and, if applicable according to the hose designation.

All hydraulic lines and cylinders must be vented according to the hydraulic plan and, if applicable, according to the hose designation.

In order to ensure the faultless and safe functioning of the system and the hose assemblies used, the hydraulic fluids used must comply with the specific instructions and recommendations of the manufacturer.

Used media that do not meet the specific requirements or which have unauthorised contamination damage the entire hydraulic system and shorten the service life of the hydraulic systems used. Warning: (system contamination can also occur when oil is refilled)

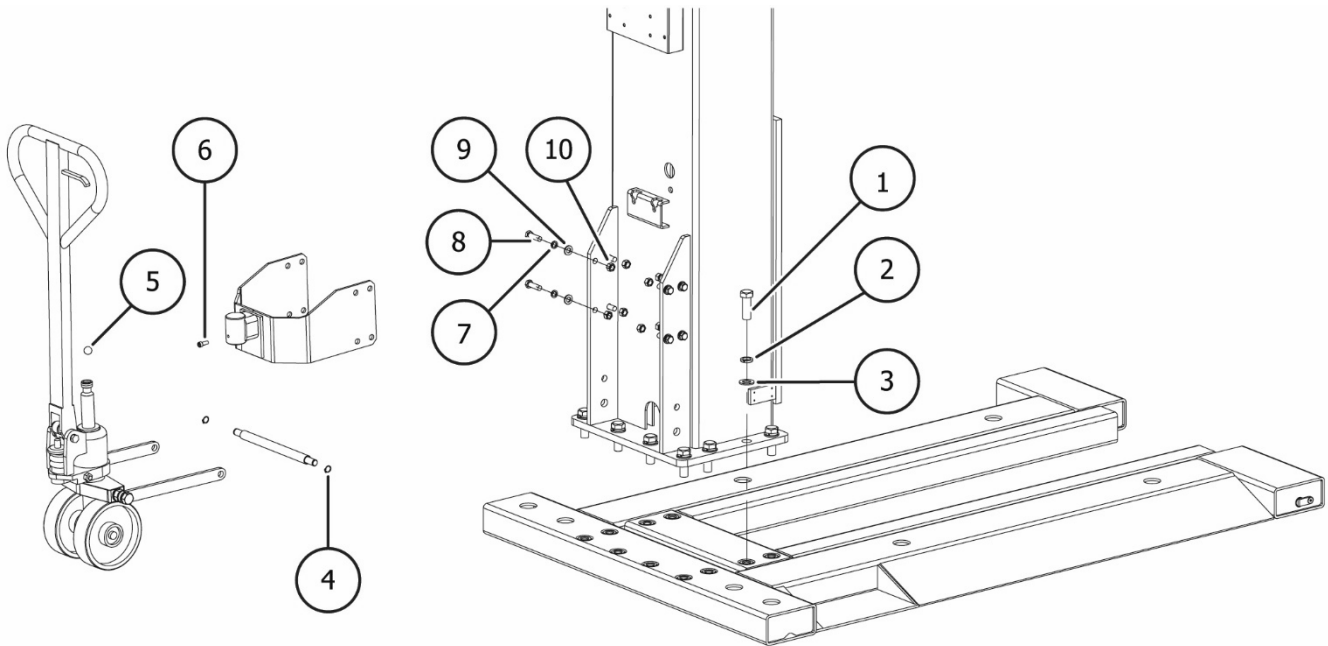
The minimum requirement and minimum oil quantity must be checked and ensured.

## 2.9 Assembly



These instructions are not to be viewed as assembly instructions; hints and tips are provided only for trained expert installers. Suitable clothing and personal protection must be worn for the following work.  
Incorrect installation and settings lead to exclusion of liability and warranty.

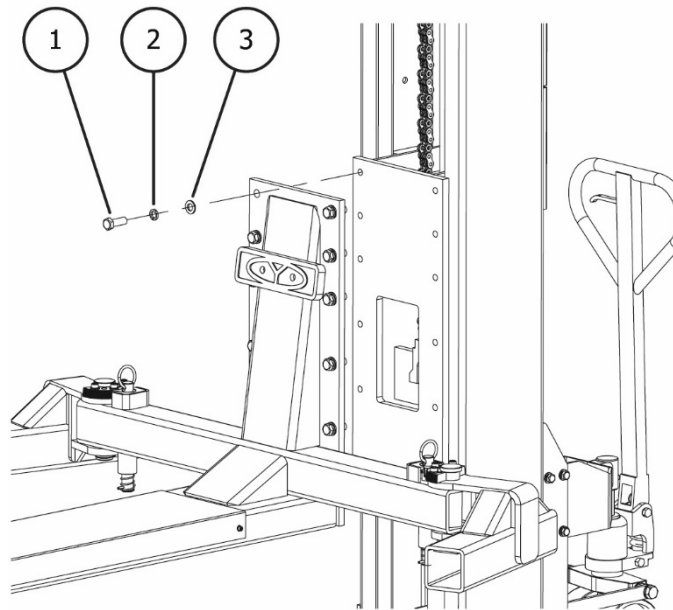
### Installing of the column on the base



①	Screw M20x60	⑥	Screw M8x20
②	Washer D.20	⑦	Washer D.12
③	Locking washer D.20	⑧	Screw M12x40
④	Seeger D.16	⑨	Locking washer D.12
⑤	Steel ball D.20	⑩	Nut M12

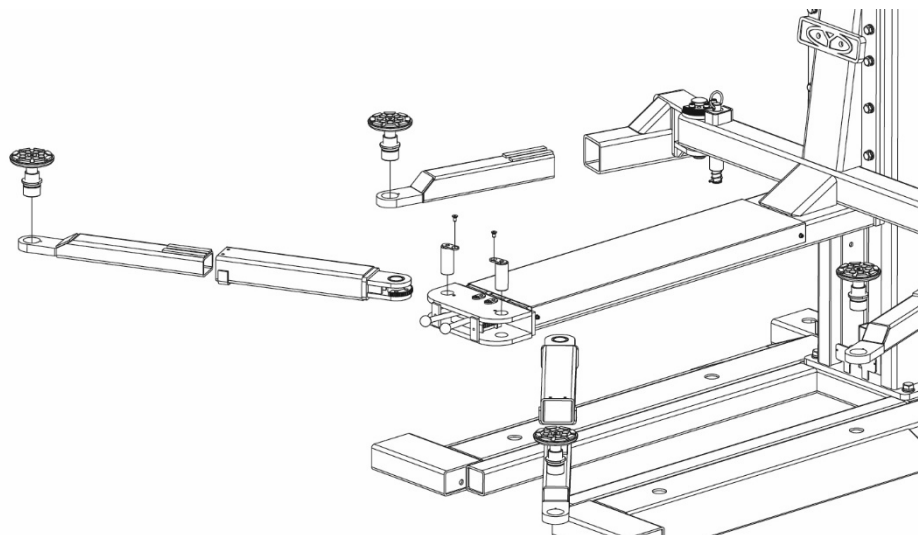
## Installing of the lifting arms

Install the arm frame to the carriage using the supplied screws and washers as shown in the following drawing:



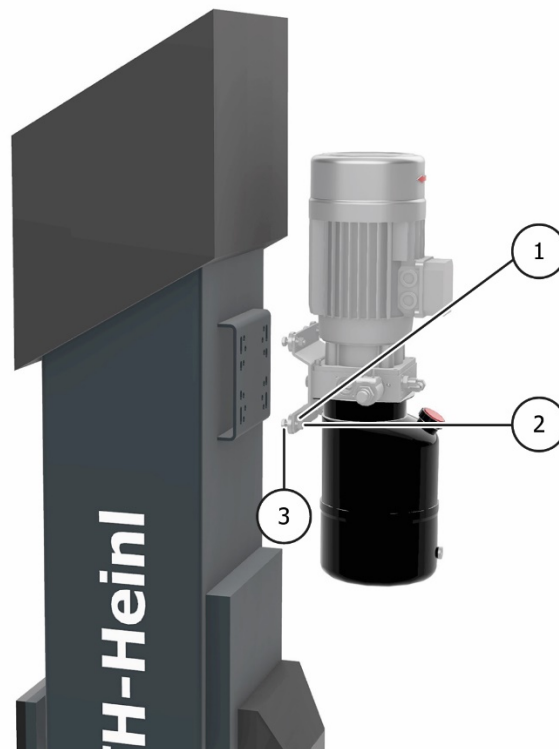
①	Screw M16x45	③	Locking washer D.16
②	Washer D.16		

Fit the telescopic arms to the arm frames as shown in the following drawing:



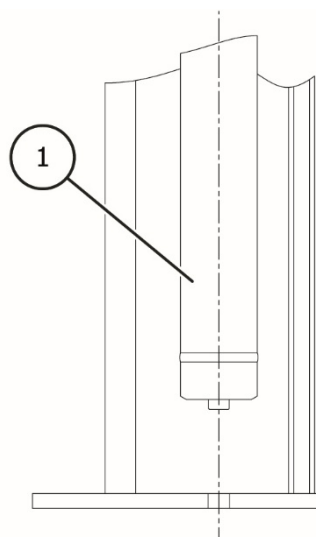
## Installation Of Power Unit

Place the power unit onto the bracket on the back side of the column with the screws and washes attached as shown in the following drawing:



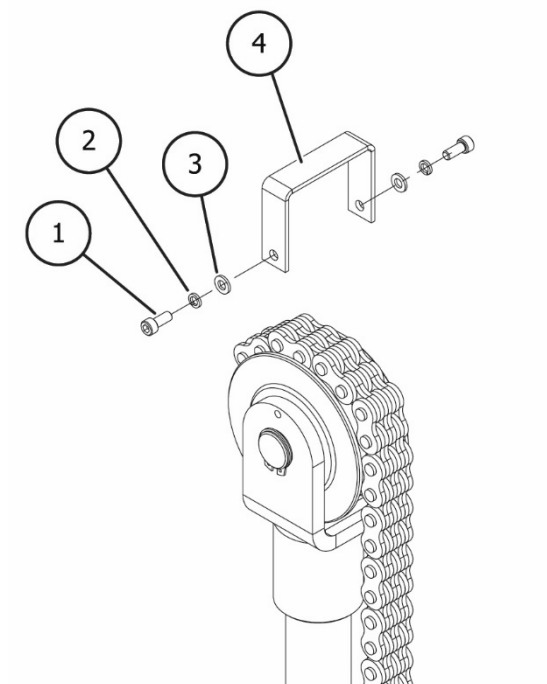
①	Locking washer D.10	③	Screw M10x25
②	Washer D.10		

Fit the cylinder is located in the center hole in the column base as shown in the following drawing:



①	Hydraulic cylinder
---	--------------------

## Install the chain protection on the pulley

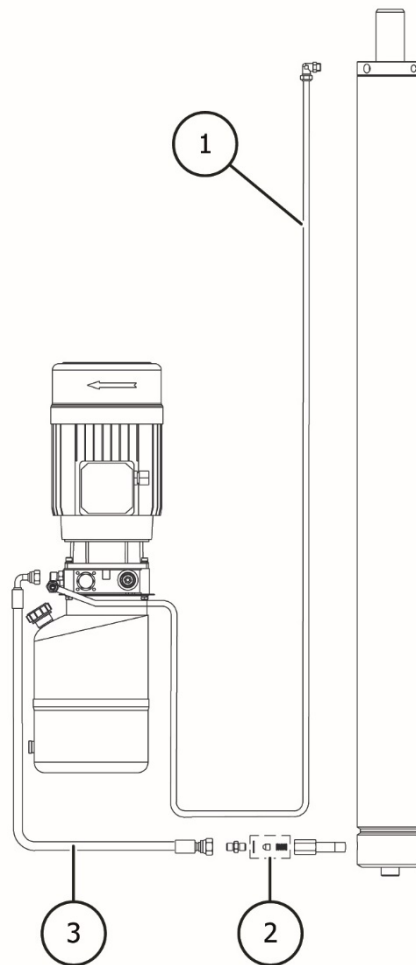


①	Screw M6x14	③	Locking washer D.14
②	Washer D.14	④	Chain protection

## Hydraulic line connection

Take care that the hoses and connection pieces are clean and free of contamination. Clean the parts if required.

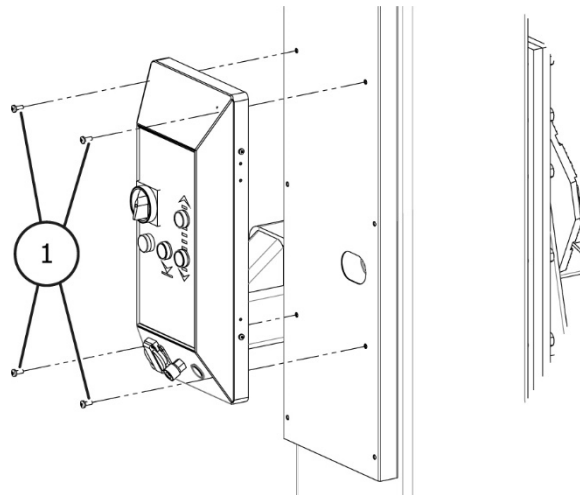
Check all parts for damage and ensure that all screw connections and connecting pieces are in good order. Connect the hoses to the hydraulic unit and the cylinder in accordance with the drawing below. Tighten all connections to prevent any oil leaks.



①	Rilsan hose 10x6.5x1850	③	Hydraulic hose ¼ L730
②	Restrictor		

## Install The Control Panel

Install the control panel onto the column as shown in the following Diagram:



①	Screw M6x20
---	-------------

## Electric control assembly

Fit the electric control to the column using the supplied screws as shown in the adjacent diagram. Check the nameplate to ensure that the motor is suitable for the voltage available at the customer's premises.

Establish the electrical connections as shown in the circuit diagram (point 6.2). Use the cables and lines supplied for this purpose.

Work must be carried out in accordance with local regulations. Make sure that the phases are properly connected (direction of rotation) and the lift is properly grounded.

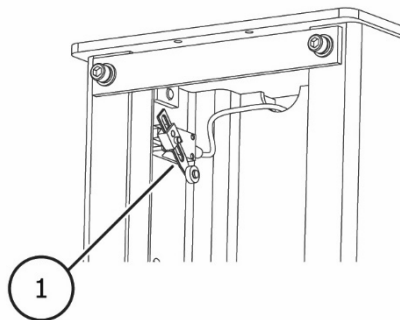


## 2.10 Completion of Work



Before commissioning, check all fastening screws, electrical, pneumatic and hydraulic lines and, if necessary, tighten these. Warning: in some cases, this must be checked at regular intervals and tightened if necessary (note in the instructions).

### Adjustment of the top end-limit switch



①	Limit switch
---	--------------

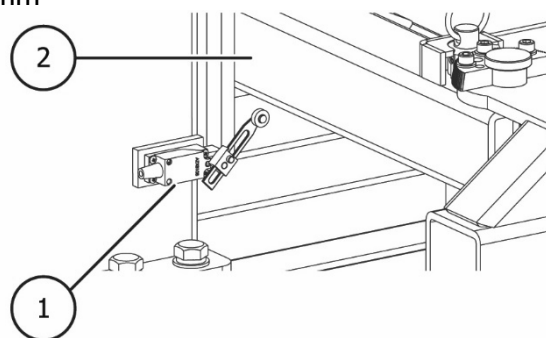
Raise the lift at a height of 1870 mm to check for the proper position.

If the switch does not function properly, unloosen its lever and adjust it at a proper position until the lift can reach at the desired height.

Tighten the screw after adjustment.

### Adjustment of the CE-limit switch

Place the lift at a height of 200 mm



①	Limit switch
②	Cross beam

If the switch does not function properly, unloosen its lever and adjust it at a proper height (it is suggested to be lower 1-3mm than the cross beam).

Tighten the screw after adjustment.

## Filling the oil and venting

Use only the hydraulic oil specified in the operating instructions. Open the oil filler cap and fill approx. 6 litres of hydraulic oil into the tank. Pressing the LIFT button moves the lift upwards until the max. height has been reached. Release the button when the maximum height has been reached, as otherwise the electric motor or the gear pump may be damaged. Pressing the LOWER button moves the lift right to the bottom. Keep holding the LOWER button for around 3 seconds after the lift has reached its lowest point to allow any trapped air to escape.

Repeat this LIFT and LOWER procedure three times.

**Warning:** Attempting to test without oil or when the motor is rotating in the wrong direction can destroy the hydraulic pump.

## Check before start-up

### General checks

- Make sure all pins and bolts to insure proper mounting.
- Make sure the chain for proper installation.
- Make sure the electrical system feeding voltage is equal to that specified in the nameplate on the motor, the electric system connection in conformity of the electric plan shown as the electric diagram and for proper grounding.
- Make sure the lift is connected to the ground.
- Particularly, below checks must be followed:

### Mechanical safeties for proper installation

- Check to make sure that safeties will properly engage by pushing the locking button and can be released properly by pushing the lowering button.
- When raising the carriages, listen to the safety hook fall into the safety rack. If not, check the cause if necessary.

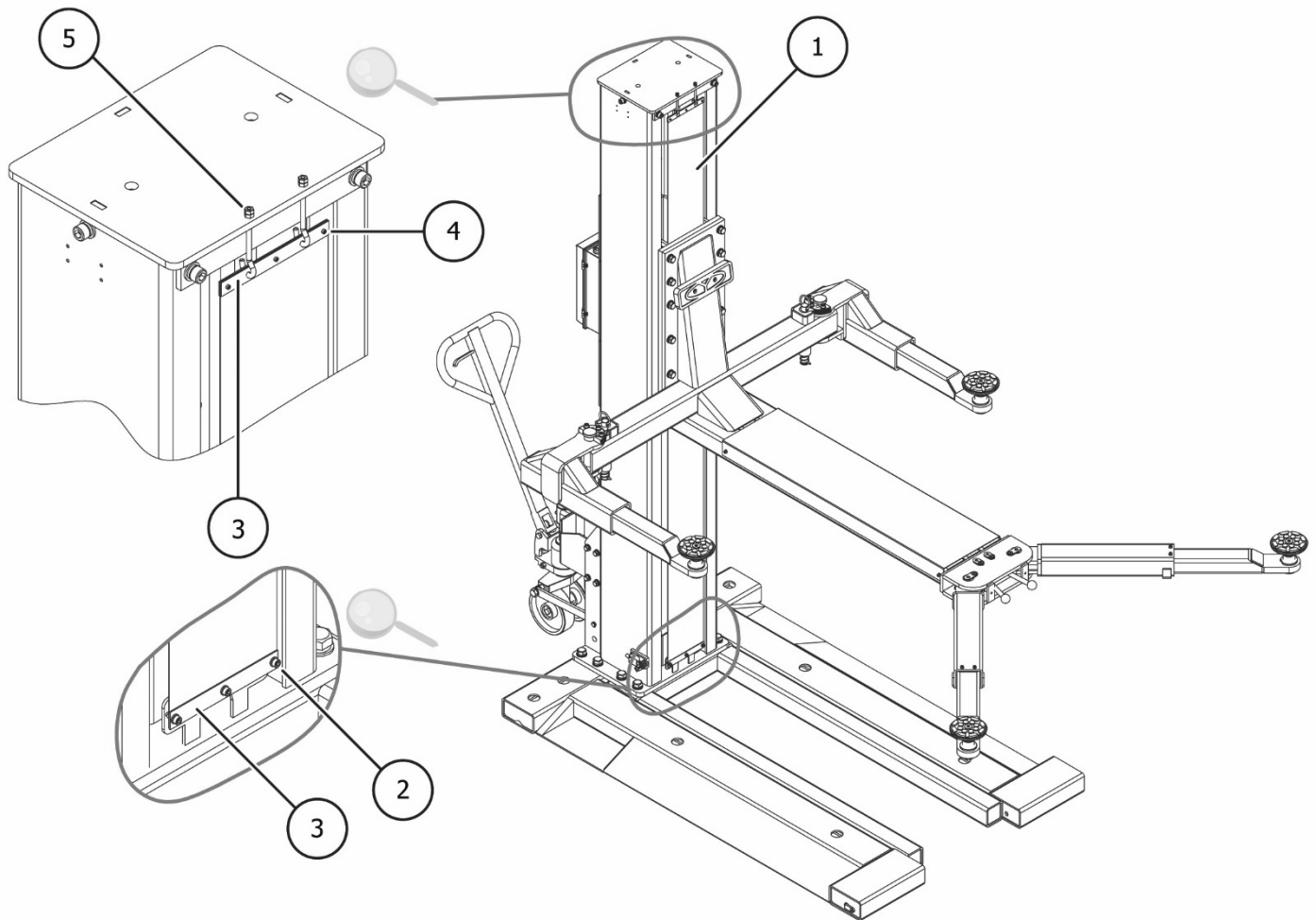
### Hydraulic system for proper operation

- Proper oil level in the tank, refill if needed.
- Raise the carriage to the full height and keep the motor running for 5 seconds.
- Check all hoses connections to make sure no leakage. Tighten the connections or reseal if necessary.
- Check the carriage for reaching its maximum height.
- Repeat the air bleeding of cylinders if necessary.

### Limit switch for proper operation

- Check to make sure the top limit switch for proper operation. Verify that the power unit stops working when the carriages reaches the maximum height.
- Check to make sure the safety height limit switch for proper operation. Verify the power unit stops working when the carriage is lowered at about 200mm high.

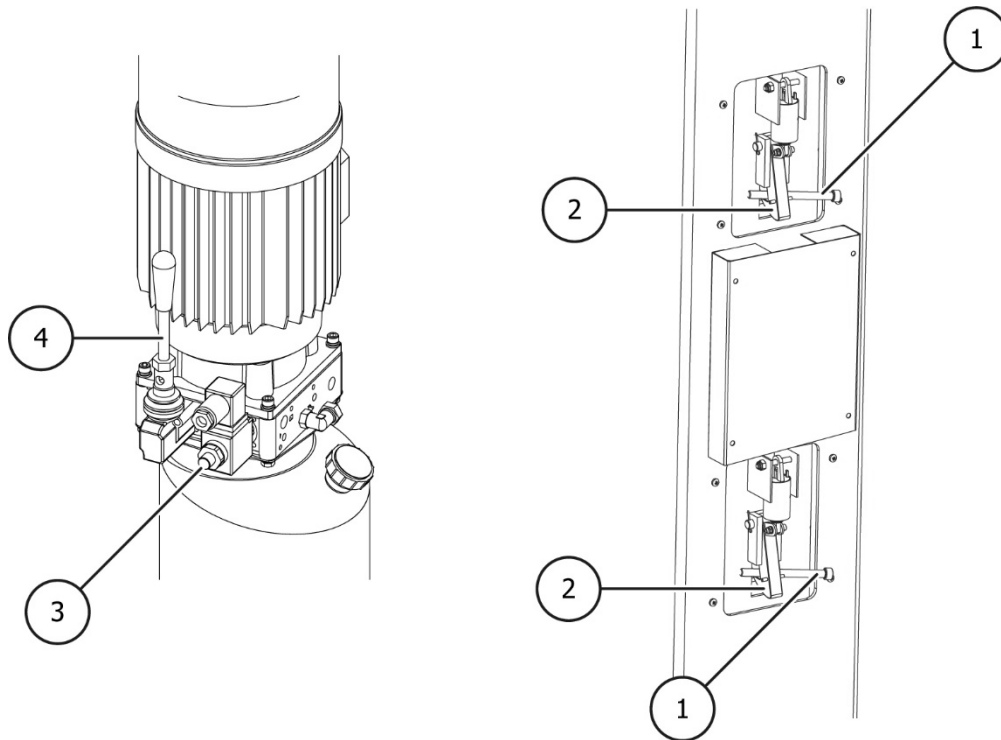
## Installation of front cover



1	Front cover	4	Screw M3x8
2	Screw M6x20	5	Nut M6 Bolt hook
3	Fastening plate		

## MANUAL EMERGENCY LOWERING

- In case of emergency with no electric power, lower the loaded vehicle manually to its initial position as follows:
- Padlock the power switch.
- Remove the covers on back of the column to check if the mechanical safeties are engaged.
- If the safeties are engaged, operate the emergency hand pump (if ordered with the lift) to raise the lift a little bit to clear off the safeties.
- After the safeties are clear off, put a proper bolt under each safety hook as shown to keep the safeties released.
- Unscrew the emergency lowering screw by turning it anticlockwise until the vehicle is lowered fully. Screwing or unscrewing can reduce or increase the lowering speed.
- Retighten the emergency lowering screw by turning it clockwise.
- Remove the bolts from the safety hooks.
- Refit the back covers onto the column and tighten the screws.



①	Bolt	③	Emergency lowering valve
②	Safety catch	④	Emergency hand pump (opt.)

### 3.0 OPERATION

#### 3.1 Operating Instructions

Company:	<b>Operating Instructions</b>	Date:
Place of work:	for <b>Lifting Platform</b>	Signature:

#### *Risks to People and the Environment*



- Falling of loads or parts
- Crushing and shearing points when moving the lifting platform
- Danger due to uncontrolled moving parts



#### *Protective Measures and Rules of Conduct*

##### **Before starting work:**



- Lifting platforms may only be used independently by trained persons over the age of 18 who have been instructed in writing.
- When working with more than one person, a supervisor must be appointed
- Daily functional check
- Observe the manufacturer's operating instructions

##### **During operation:**



- Pay attention to crush and shear points in the environment
- Do not load the lifting platform above the permitted maximum load
- Do not lift people
- Do not shake the lifting platform, avoid rocking.
- When lowering, do not stand in the lifting platform movement area
- Arrange regular checks of the lifting platform

#### *Response to faults and hazards*

- In case of fault, stop the lifting platform immediately
- Secure against further use
- Report defects to the installer or manufacturer

#### *First Aid*



- Inform first aiders (see alarm/emergency plan)
- Treat injuries immediately
- Enter into the accident book
- Contact emergency services for serious injuries

**Emergency number:** \_\_\_\_\_  
**Ambulance service:** \_\_\_\_\_

#### *Maintenance*

- Repair only by instructed and trained persons
- Disconnect or secure the lifting platform from the mains power supply for set-up, adjustment, maintenance or servicing
- Clean the lifting platform after operation and check the hydraulic level
- **Annual check** of the lifting platform by an authorised and trained person

### 3.2 Basic Information

Independent operation of the machine may only be carried out by persons over the age of 18 who have been trained in the operation of the machine and have demonstrated their ability to do so to the employer. They must be expressly contracted by the employer to operate the machine. The order to operate the machine must be given in writing.

The machine must only be used for its intended use.

Always use appropriate material during installation and operation.




Before assembly or disassembly check all components for damage.

If necessary, observe special manufacturer instructions for mounting or dismounting of vehicle-specific work.

An important part of the guarantee / warranty is fulfilment of the maintenance plan. This includes in particular, ensuring cleanliness, corrosion protection, checks and repairing damages immediately if required.

During operation attention should always be paid to hazards. As soon as dangers occur, switch off the machine immediately, remove the mains plug and disconnect the air supply. Then contact your dealer.



All warning labels must always be easy to read. If damaged, they must be replaced immediately.

	<p>Pay attention to possible shearing points around the machine.</p>
	<p>During operation, the noise can reach 85dB (A), so the operator should take appropriate protective measures.</p>
	<p>Moving parts of the machine can catch loose clothing, long hair or jewellery.</p>

## 4.0 MAINTENANCE

The user must maintain the machine regularly to ensure safe operation.

Repair work may only be carried out by authorised service partners or after customer consultation with the manufacturer.

	<p>Before maintenance and repair work:</p> <ul style="list-style-type: none"> <li>- The machine must be disconnected from ALL supply networks</li> <li>- Pull main switch out of mains plug, if necessary, discharge compressed air from system</li> <li>- Appropriate measures must be taken against a restart</li> </ul>
	<p>Work on electrical elements or on the supply line may only be carried out by experts or electricians.</p>

### 4.1 Consumables for installation, maintenance and servicing

#### Hydraulic Oil

**General** minimum requirement:

Eni PRECIS HVLP-D Item No. 00066018

Summer (15° to 45°): HVLP-D 46 (e.g.: Eni PRECIS HVLP-D)

Winter (under 10°): HVLP-D 32 (e.g.: Eni PRECIS HVLP-D)

Minimum requirement **especially for 2-post lifts:**

Eni PRECIS HVLP-D Item No. 00067218

Summer (15° to 45°): HVLP-D 32 (e.g.: Eni PRECIS HVLP-D)

Winter (under 10°): HVLP-D 22 (e.g.: Eni PRECIS HVLP-D)

#### Preservative for ropes, welds, screws, corners, edges and cavities.

Minimum requirement:

Petec spray translucent - 500 ml Item No. 73550 / Petec wall inlet translucent - 1000 ml Item No. 73510

Petec UBS pistol Item No. 98507

#### Slideway lubricant

Minimum requirement:

STORER WHS 2002 White EP high performance grease. Item No. KPF1-2K-20

#### Lubricant for bushes, chains, rollers & moving parts

Minimum requirement:

White ultra lube, 500 ml aerosol. Item No. 34403 – WUL – White Ultra Lube

#### Floor anchor

Minimum requirement **for lifting platforms:**

Fischer FIS A M 16 x 250 galvanised in combination with Fischer Superbond reaction cartridge

Minimum requirement for **passenger car and passenger car/truck balancing machine:**

Impact anchor M8 x 100

Minimum requirement **for truck mounting machine:**

Impact anchor M12 x 100

### **Compressed air system**

Minimum requirement:

PROMAT chemicals special compressed air oil      Item No.: 4000355209

### **Cleaning**

Minimum requirement:

Caramba intensive brake cleaner acetone-free

### **Care and protection of metals, painted or powder-coated surfaces**

Minimum requirement:

Petec spray translucent - 500 ml      Item No. 73550

Petec wall inlet translucent - 1000 ml      Item No. 73510

Petec UBS pistol      Item No. 98507

### **Care and protection of metals, painted or powder-coated surfaces in the tread area and plastic parts**

Minimum requirement:

Valet Pro Classic Protectant Plastic Sealant 500 ml

## **4.2 Safety Regulations for Oil**

Always observe the legal requirements or regulations for handling used oil.

Always dispose of used oil through a certified organisation.

In the case of leaks, oil must be collected immediately with binders or trays so that it cannot penetrate into the soil.

Avoid any skin contact with the oil.


Do not allow oil vapours to escape into the atmosphere.

Oil is a combustible medium. Pay attention to possible hazards.

Wear oil-resistant protective clothing, such as gloves, goggles, protective clothing, etc.



### 4.3 Notes

	<p>Regardless of the level of dirt, the machine must be maintained, cleaned and serviced at regular intervals.</p> <p>The machine should then be treated with a care product (such as oil or wax spray). Do not use cleaning agents that are harmful to the skin.</p> <p>IF THE ABOVEMENTIONED POINTS ARE NOT FULFILLED, THE WARRANTY CLAIM IS EXCLUDED</p>
---	---

### 4.4 Maintenance or Service Plan

Interval	Immediately	Weekly	Monthly	Every 3 months	Every 6 months
Check of ALL safety-relevant parts	X				
Cleaning	X				
Check or restore surface protection	X				
Check for leaks in the hydraulic system	X				
Check or restore surface protection or corrosion protection	X				
Check or restore damage to the paint and components	X				
Check or restore rust damage	X				
Check or treat cavities and non-painted areas	X				
Check for leaks in the pneumatic system	X				
Control the tightness of screws	X				
Check, lubricate & adjust bearing slack	X				
Check wear parts		X			
Check fluids (level, wear, contamination, quality)		X			
Check and lubricate sliding surfaces		X			
Remove any dirt inside			X		
Clean and check electrical components				X	
Check motor and transmission for function and wear				X	
Check welds and construction				X	
Visual inspection (according to inspection plan)					X

#### 4.5 Troubleshooting / Error Display and Solutions

Symptoms	Cause	Solution
<b>Lifting Problems</b>		
<b>Lifting platform does not lift when button is pressed (motor does not run)</b>	Damage to the motor	Check motor and replace if necessary
	Blown fuses from e.g. voltage fluctuations	Remedy the causes and replace the fuses
	Defective button and/or contact	Replace button and/or contact
	Defective main switch and/or contact	Replace main switch and/or contact
	Defective or insufficient supply line	Replace cable
	Fluctuating or incorrect input voltage	Check power
	Defective motor contactor	Replace motor contactor
	Thermal relay has tripped	Check thermal relay and motor
	Limit switch defective or blocked	Check limit switch and replace if necessary
<b>Lifting platform does not lift when button is pressed (motor runs)</b>	Hydraulic oil shortage	Refill oil
	Oil filter blocked	Clean the oil filter
	Oil leakage	Replacement of damaged components
	Opened lowering valve	Check and replace the lowering valve if required
	Motor rotates in wrong direction	Replace phases
	Broken gear pump	Check the pump and replace if necessary
	Permissible load has been exceeded	Work within the specified load
	Pressure relief valve set too low	Set pressure relief valve to maximum load
<b>Lifting platform lifts jerkily</b>	Not enough space between rails	Distance between rails and guide must be 1.5 - 2.5 mm
	Air in hydraulic system	Bleed the hydraulic system
	Contaminated hydraulic oil	Change the hydraulic oil
	Slideways are not lubricated	Lubricate the slideways
<b>Lifting platform continues to lift after releasing the button</b>	Defective button	Replace the defective button

<b>Lowering Problems</b>		
<b>Lifting platform does not lower</b>	Safety catches do not respond	Check cable connection Check electromagnets, replace if necessary Relieve the catches by lifting
	Defective control relay	Check control relay
	Obstruction under platform	Remove obstruction
	Hose rupture protection triggered	Lift the platform briefly and press "DOWN" again
	Lowering valve is not activated	Check electrical connection
	Defective lowering valve solenoid	Replace solenoid
	Defective lowering valve	Replace
	Valve for lowering speed set incorrectly	Set
<b>If the errors cannot be rectified, lower the lifting platform with the emergency lowering screw and contact our service team</b>		
<b>Platform lowers too slowly or jerkily</b>	Contaminated lowering valve	Clean lowering valve
	Valve for lowering speed set incorrectly	Set
<b>Lifting platform lowers by itself</b>	Leaking hydraulic connections	Retighten connections if necessary
	Leaking hydraulic lines	Replace hydraulic line
	Leaking hydraulic cylinder	Replace and clean the seals of the hydraulic system
	Dirty or defective lowering valve	Clean or replace the lowering valve
	Leaking check valve	Clean or replace
<b>Other Problems</b>		
<b>Lifting platform does not raise or lower synchronously</b>	Air in hydraulic circuit	Bleed the hydraulic circuit
	Synchronising cables not tight enough	Adjust the tension or the synchronicity
<b>Product shows (heavy) rust damage</b>	Damage or lack of corrosion protection, possibly maintenance	Remove rust, clean and restore surface.
<b>Abnormal motor volume</b>	Dirty oil filter	Clean the oil filter
	Air in hydraulic circuit	Bleed the hydraulic system
	Contaminated hydraulic oil	Change the hydraulic oil
<b>Circuit breaker has been activated</b>	Check the contact on the contactor	Replace the contactor
	Check the capacity of circuit breakers	Replace the fuses
	Check for damage to the cable	Replace the cable
<b>ALWAYS USE ORIGINAL PARTS AND ACCESSORIES.</b>		

## 4.6 Maintenance and Service Instructions



All maintenance and service work should be carried out at least according to the maintenance schedule

### COMPRESSED AIR MAINTENANCE UNIT (Partial stock if necessary for the activity)

#### SETTING THE WORKING PRESSURE:

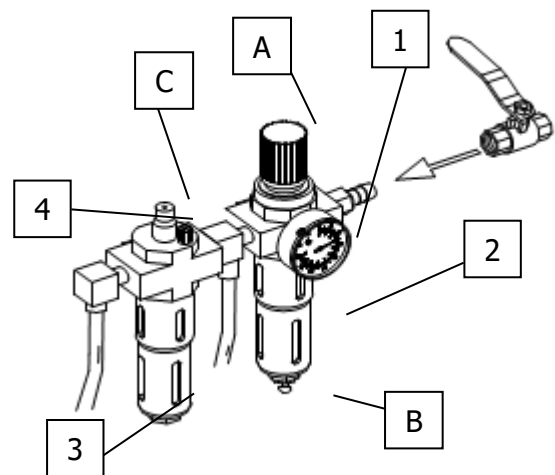
- Check the working pressure displayed by the manometer (1). This must correspond to the technical data.
- The working pressure can be adjusted with a pressure regulator (A).
- Pull the pressure regulator upwards to make adjustments.
- Turn the knob clockwise to increase the pressure in the machine, turn it counter clockwise to decrease.

#### OILER

- Check the oil level in the oil reservoir (3).
- Remove the oil reservoir.
- Now refill the tank with a pneumatic oil with a viscosity of SAE20.
- Check the injection quantity of the oil through the viewing glass (4).
- Generally, the screw must be closed completely in a clockwise direction and then opened again about  $\frac{1}{4}$  to  $\frac{1}{2}$  turn by turning it counter clockwise.

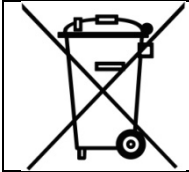
#### WATER SEPARATOR

- Check the water level in the separator (2).
- Water is drained when the valve (B) is opened.



## 4.7 Disposal

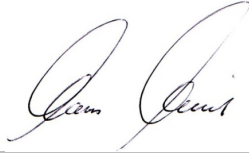
- Remove the air and power supply.
- Remove all non-metallic substances and store them in accordance with local regulations.
- Remove the oil from the machine and store it in accordance with local regulations.
- Recycle all metallic substances.



The machine contains some substances that can pollute the environment and cause harm to the human body if not handled correctly.

## 5.0 EG-/EU-KONFORMITÄTSERKLÄRUNG / EC-/EU-DECLARATION OF CONFORMITY

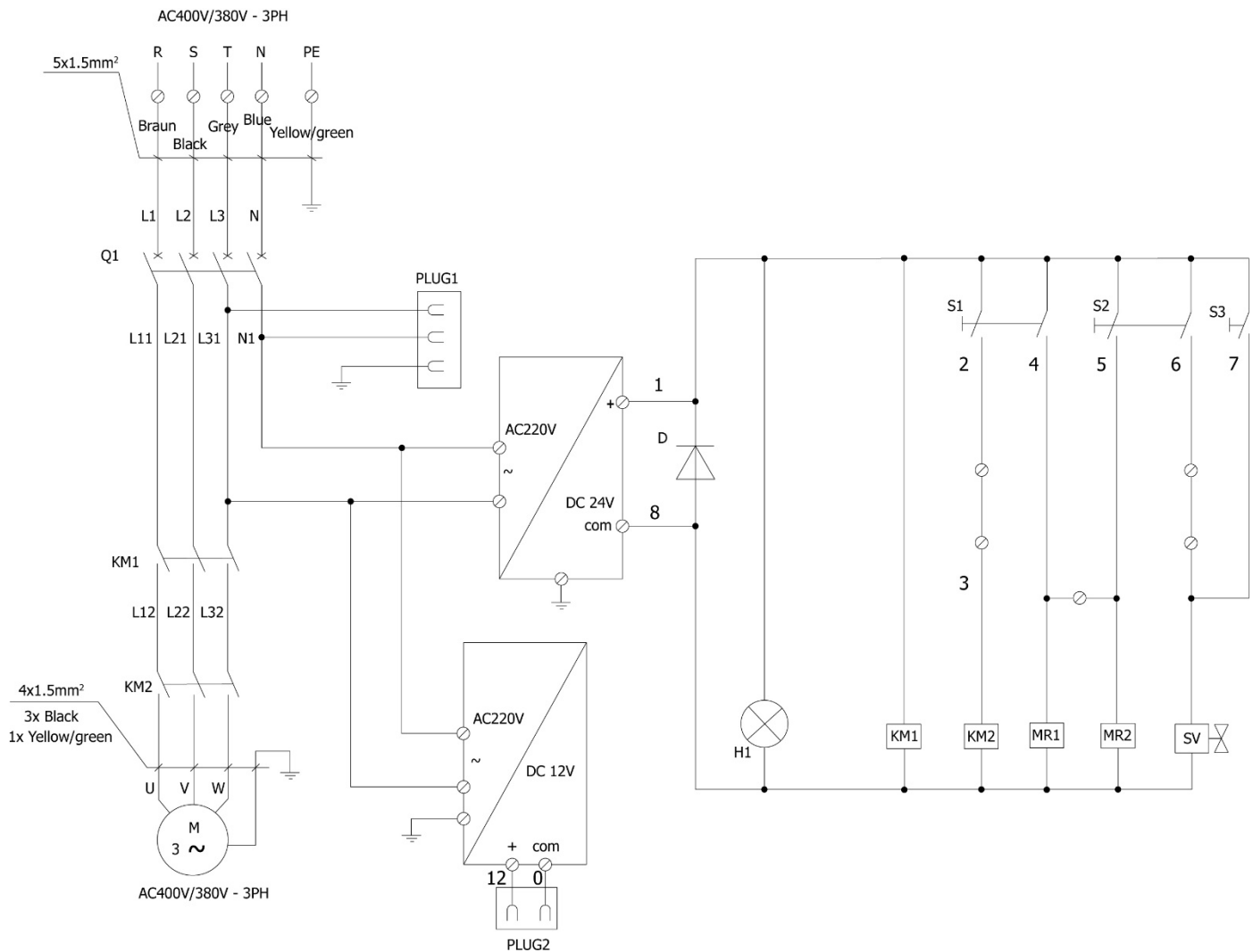
gemäß Maschinenrichtlinie 2006/42/EG, Anhang II 1A, EMV-Richtlinie 2014/30/EU, Anh. IV  
 In accordance to Machine Directive 2006/42/EG, Appendix II 1A, EMC Directive 2014/30/EU, App. IV

Seriennummer <i>Serial number</i>	
Firmenbezeichnung und vollständige Anschrift des Herstellers <i>Business name and full address of the manufacturer</i>	<b>ATH-Heinl GmbH &amp;Co. KG</b> Gewerbepark 9 DE – 92278 Illschwang
Name und Anschrift des Dokumentations-Bevollmächtigten <i>Name and address of the Technical Files authorized representative</i>	<b>ATH-Heinl GmbH &amp;Co. KG</b> Gewerbepark 9 DE – 92278 Illschwang
<p>Hiermit erklären wir, dass die nachfolgend bezeichnete Maschine in der von uns in Verkehr gebrachten Ausführung den einschlägigen, grundlegenden Sicherheits- und Gesundheitsanforderungen der EG-Richtlinie 2006/42/EG sowie den unten aufgeführten Harmonisierungsrechtsvorschriften entspricht.</p> <p><i>We herewith declare that that the machine described below, as a result have been brought on to the general market comply with the relevant fundamental Safety and Health regulations of the of Directive 2000/60/EC and the harmonized standards listed below.</i></p>	
<b>Beschreibung der Maschine</b> <i>Descriptions of the machine</i>	<b>Hebebühne für Fahrzeuge</b> <i>Car lift</i>
Typbezeichnung <i>Model name</i>	<b>ATH-Single Lift 25M</b>
Der oben beschriebene Gegenstand der Erklärung erfüllt die folgenden einschlägigen Harmonisierungs-Rechtsvorschriften der Union <i>The object of the declaration described above meets the following applicable Community harmonisation legislation</i>	2006/42/EG (Machine-Directive) 2006/95/EC (Low voltage directive)
Folgende harmonisierten Normen und Vorschriften wurden eingehalten <i>The following harmonized standards and regulations are applied</i>	DIN EN 1493:2010 (Machine-Directive) DIN EN 60204-1: 2006+A1:2009 (Low voltage directive) EN ISO 121 :2010 (Risk assessment and risk reduction)
Prüfinstitut <i>Institute of Quality</i>	CCQS UK Ltd. Level 7; Westgate House; Westgate Road London – W5 1YY UNITED KINGDOM
Referenznummer der technischen Daten <i>Reference number for the technical data</i>	TF-C-0722-16-143-02-5A
Nummer des Zertifikats <i>Number of the certificate</i>	CE-C-0722-16-143-02-5A
<b>ATH-Heinl GmbH &amp;Co. KG</b> Gewerbepark 9 DE – 92278 Illschwang Datum	
	Hans Heinl (Geschäftsführer / General Manager)
<p><b>DURCH UMBAUTEN UND/ODER VERÄNDERUNGEN AN DER MASCHINE WIRD DIE CE-PRÜFUNG AUSSER KRAFT GESETZT UND EINE HAFTUNG AUSGESCHLOSSEN.</b>  <b>BY MODIFICATION AND / OR CHANGES TO THE MACHINE, THE CE EXAMINATION IS EXCLUDED WITHOUT LIMITATION AND A LIABILITY SHALL BE EXCLUDED.</b></p>	

## **6.0 APPENDIX**

### **6.1 Pneumatic circuit diagram**

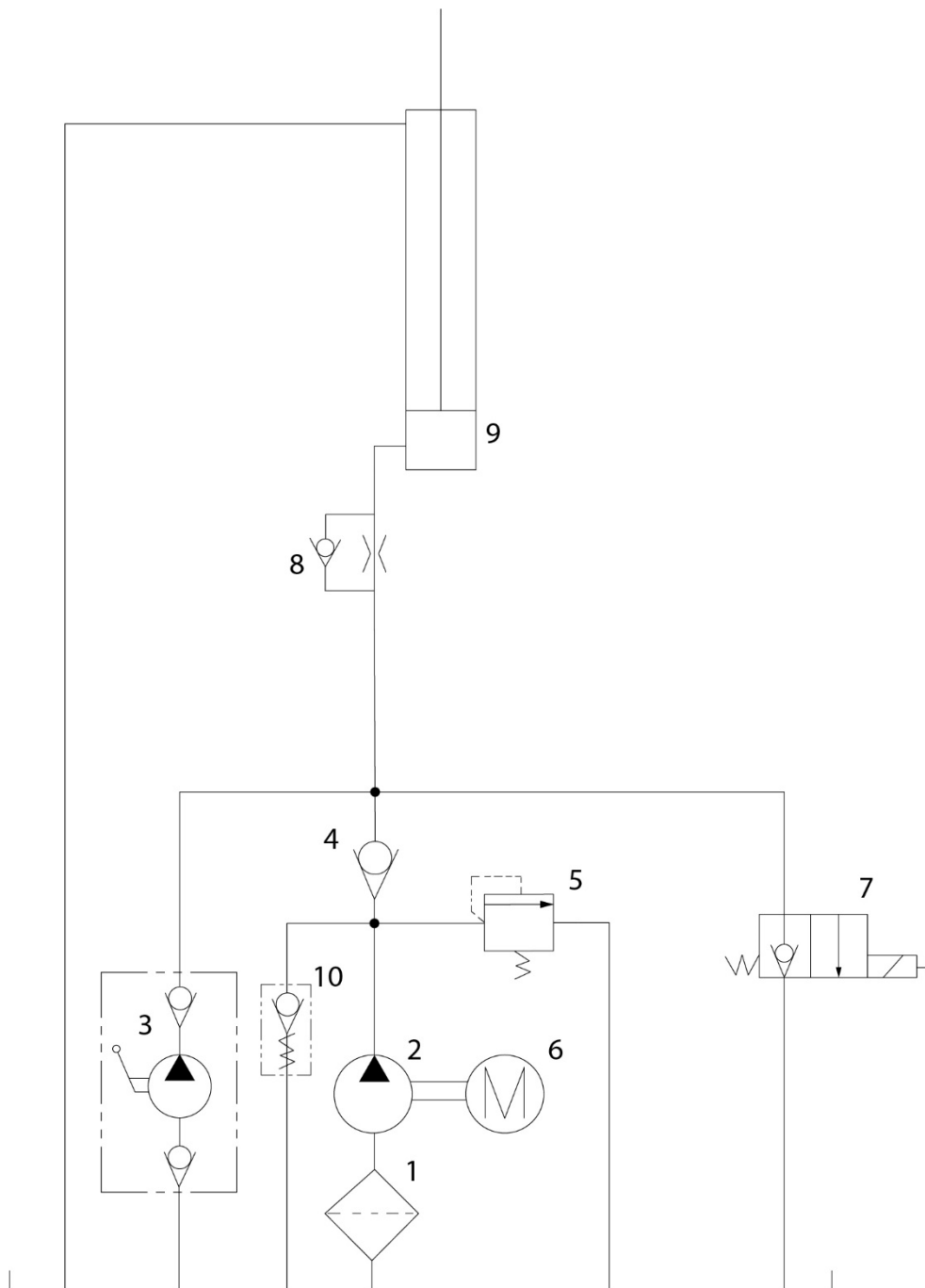
## 6.2 Electric circuit diagram



Q1	Main switch	JD	Buzzer
KM1/KM2	Motor contactor	H1	Signal lamp
S1	Push button up	SV	Lowering valve
S2	Push button down	M	Motor 1.5KW/4P
S3	Push button Lock-up	MR1/MR2	CE-switch



### 6.3 Hydraulic circuit diagram



1	Oil filter	6	Electric motor
2	Gear pump	7	Lowering valve
3	Emergency hand pump – optional	8	Flow restrictor
4	Non return valve	9	Hydraulic cylinder
5	Pressure limiting valve	10	Startup Valve- for 1PH power unit

## 7.0 WARRANTY CARD

Dealer address:	Customer address:		
Company (or customer number):	Company (or customer number):		
Contact partner:	Contact partner:		
Street:	Street:		
Postcode & town:	Postcode & town:		
Tel. & Fax:	Tel. & Fax:		
Email:	Email:		
Manufacturer & model:	Serial number:	Year of construction:	Reference number:

Message description:

Description of required spare parts:		
Spare part:	Item number:	Amount:

### IMPORTANT:

Damage resulting from improper handling, lack of maintenance or mechanical damage is not covered by the warranty. For systems that have not been installed by an ATH approved installer, the warranty is limited to the provision of the necessary spare parts.

### Transport damages:

Visible defect (visible transport damage, note on freight forwarder delivery note, immediately send copy of the delivery note and photos to ATH-Heinl)

Hidden defect (transport damage is only detected when unpacking the goods, send damage report with pictures to ATH-Heinl within 24 hours)

Place & Date

Signature & Stamp

## 7.1 Scope of the Product Warranty

- Five years for the devices structure
- Power supplies, hydraulic cylinders and all other wear components such as turntables, rubber plates, ropes, chains, valves, switches, etc., are limited to one year under normal circumstances/use under warranty conditions.


The warranty does not extend to:

- Defects caused by normal wear and tear, misuse, transport damage, improper installation, tension or lack of required maintenance.
- Damage caused by neglect or failure to follow the instructions in this manual and/or other accompanying instructions.
- Normal wear and tear on parts requiring service to keep the product in safe working condition.
- Any component that has been damaged during transport.
- Other components that have not been explicitly listed but are considered to be general consumables.
- Water damage caused by e.g. rain, excessive humidity, corrosive environments or other contaminants.
- Blemishes that do not affect function.

**WARRANTY IS NOT VALID,  
IF THE WARRANTY CARD WAS NOT SENT TO ATH-HEINL.**

Damage and malfunctions caused by non-compliance with maintenance and adjustment work (according to operating instructions and/or training), faulty electrical connections (rotating field, rated voltage, protection) or improper use (overload, outdoor installation, technical changes) are excluded from the warranty!

## 8.0 INSPECTION LOG

	<p><b>This inspection manual (including log) is an important part of the operating instructions and product.</b></p> <p><b>!!!PLEASE STORE CAREFULLY!!!</b></p>
---	---

### Check

The product must be checked after completion of the installation, handover, if necessary briefing and then regularly in accordance with the applicable regulations and legal provisions in the country of operation by a suitable and approved company or facility.

In the case of changes or extensions to the product type, an additional inspection book must be maintained and accepted.

### Scope of Inspection




In addition to perfect function, cleanliness and maintenance requirements, it is vital that the safety-relevant components of the entire system are checked.

### Technical Data

- Please refer to the enclosed operating instructions.

### Nameplate

- Make a note of all the data below
- Manufacturer & type of mounting materials used:

 <b>ATH-Heinl</b>	
<b>Typ</b> Type	<b>Volt</b>
<b>Serien #</b> Serial #	<b>Ph</b>
<b>Baujahr</b> Year of built	<b>Hz</b>
	<b>Amp.</b>
	<b>kW</b>
 	Designed by ATH-Heinl Germany Manufactured in China  ATH-Heinl GmbH & Co. KG Gewerbepark 9 D 92278 Illschwang Germany

## 8.1 Installation and Handover Log

**Site:**  
Company:  
Street:  
Town:  
Country:

**Device / system:**  
Manufacturer:  
Type / model:  
Serial no.:  
Year of  
construction:

Responsible retailer:

The above product has been assembled, checked for function and safety and put into operation. Installation was carried out by:

the operator

the technical expert

The operator confirms that the product type has been set up correctly, that he/she has read and understood all information contained in these operating instructions and the log, and that he/she keeps this documentation accessible to the instructed operator at all times.

The operator confirms that after installation and commissioning by a person trained by the manufacturer or an authorised dealer (expert), instruction in the function, handling, safety-relevant specifications, maintenance and care of the machine has taken place, documents, information and specifications of the machine have been provided and the product is working properly.

### IMPORTANT NOTES:

#### IF THE ABOVEMENTIONED POINTS ARE NOT FULFILLED, THE WARRANTY CLAIM IS EXCLUDED:

The warranty is only valid in conjunction with compliance and evidence of proper assembly, handover, and if necessary training, as well as yearly maintenance carried out by an expert authorised by the manufacturer. The interval between services must not exceed 12 months. In case of non-standard use or multi-shift or seasonal use, a bi-annual inspection and maintenance must be arranged.

Warranty claims are only recognised if all points in the log and operating instructions have been met, the claim is asserted immediately after detection and **this log is sent to the manufacturer along with the maintenance and service logs.**

Further specific information about the warranty, such as scope, requirements and specifications, are described in the operating instructions and must be observed.

Damages and complaints caused by improper handling; failure to maintain and service; use of unsuitable or unspecified assembly, operating, maintenance or service products; mechanical damage; intervening in the unit without consultation or by an unauthorised expert are excluded from the warranty. For systems that have not been installed by an authorised expert, the warranty is limited by agreement of the manufacturer to the provision of the necessary spare parts.

---

Expert name and company stamp  
if necessary, number and name of retailer

Date and expert signature

---

Operator name and company stamp

Date and operator signature

## 8.2 Inspection Plan

Nameplate				
Quick reference guide				
Operating instructions				
Safety label				
Operation label				
Other labels				
Construction (deformation, cracks)				
Fixing dowels and stability				
Condition of concrete floor (cracks)				
Condition / general condition				
Condition / cleanliness				
Condition / care and sealing				
Condition / liquids				
Condition / lubrication				
Condition / aggregate				
Condition / drive				
Condition / motor				
Condition / transmission				
Condition / cylinder				
Condition / valve				
Condition / electrical control				
Condition / electric buttons				
Condition / electric switches				
Condition / electric lines				
Condition / hydraulic lines				
Condition / hydraulic screws				
Condition / pneumatic lines				
Condition / pneumatic screws				
Condition / tightness				
Condition / bolts and bearings				
Condition / consumables				
Condition / covers				
Condition / functions under load				
Condition / safety-relevant components				
Condition / electrical safety device				
Condition / hydraulic safety device				
Condition / pneumatic safety device				
Condition / mechanical safety device				
Condition / functions under load				
Inspection sticker issued				

**8.3 Visual inspection (authorised expert)**

**Inspection Certificate**  
relating to a regular / extraordinary inspection / audit \*)

The device has undergone a readiness test.  
No / the following \*) defects were found:

---

---

---

---

---

---

Inspection contents: functional and visual inspection according to specifications  
Pending partial inspection:

---

---

There were no \*) concerns arising from commissioning, an audit is not \*) required.

---

\_\_\_\_\_  
(Place, date)

\_\_\_\_\_  
(Technical expert signature)

**Confirmation of acceptance:**

\_\_\_\_\_  
(Name of technical expert)

\_\_\_\_\_  
(Title)

\_\_\_\_\_  
(Address)

\_\_\_\_\_  
(Employed at)

\_\_\_\_\_  
Operator (company stamp, date, signature)

Faults noted \*\*) \_\_\_\_\_

Faults remedied \*\*) \_\_\_\_\_

\*) Delete if not applicable  
\*\*) Confirmation of operator or a representative with date and signature

Visual inspection (authorised expert)

## **Inspection Certificate**

**relating to a regular / extraordinary inspection / audit \*)**

The device has undergone a readiness test.  
No / the following \*) defects were found:

---

---

---

---

---

---

Inspection contents: functional and visual inspection according to specifications  
Pending partial inspection:

---

---

There were no \*) concerns arising from commissioning, an audit is not \*) required.

---

\_\_\_\_\_  
(Place, date)

\_\_\_\_\_  
(Technical expert signature)

**Confirmation of acceptance:**

\_\_\_\_\_  
(Name of technical expert)

\_\_\_\_\_  
(Title)

\_\_\_\_\_  
(Address)

\_\_\_\_\_  
(Employed at)

\_\_\_\_\_  
Operator (company stamp, date, signature)

Faults noted \*\*) \_\_\_\_\_

Faults remedied \*\*) \_\_\_\_\_

\*) Delete if not applicable  
\*\*) Confirmation of operator or a representative with date and signature



Visual inspection (authorised expert)

## **Inspection Certificate** relating to a regular / extraordinary inspection / audit \*)

The device has undergone a readiness test.  
No / the following \*) defects were found:

---

---

---

---

---

Inspection contents: functional and visual inspection according to specifications  
Pending partial inspection:

---

---

There were no \*) concerns arising from commissioning, an audit is not \*) required.

---

\_\_\_\_\_  
(Place, date)

\_\_\_\_\_  
(Technical expert signature)

### **Confirmation of acceptance:**

\_\_\_\_\_  
(Name of technical expert)

\_\_\_\_\_  
(Title)

\_\_\_\_\_  
(Address)

\_\_\_\_\_  
(Employed at)

\_\_\_\_\_  
Operator (company stamp, date, signature)

Faults noted \*\*) \_\_\_\_\_

Faults remedied \*\*) \_\_\_\_\_

- \*) Delete if not applicable
- \*\*) Confirmation of operator or a representative with date and signature

Visual inspection (authorised expert)

## Inspection Certificate

**relating to a regular / extraordinary inspection / audit \*)**

The device has undergone a readiness test.  
No / the following \*) defects were found:

---

---

---

---

---

Inspection contents: functional and visual inspection according to specifications  
Pending partial inspection:

---

---

There were no \*) concerns arising from commissioning, an audit is not \*) required.

---

\_\_\_\_\_  
(Place, date)

\_\_\_\_\_  
(Technical expert signature)

**Confirmation of acceptance:**

\_\_\_\_\_  
(Name of technical expert)

\_\_\_\_\_  
(Title)

\_\_\_\_\_  
(Address)

\_\_\_\_\_  
(Employed at)

\_\_\_\_\_  
Operator (company stamp, date, signature)

Faults noted \*\*) \_\_\_\_\_

Faults remedied \*\*) \_\_\_\_\_

\*) Delete if not applicable  
\*\*) Confirmation of operator or a representative with date and signature



