

Application

- For use on Major platform lifts



Micro 20 & 26

Full hydraulic

Full hydraulic scissor jacks with 2 & 2.6 capacity

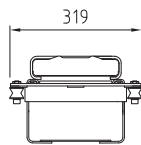
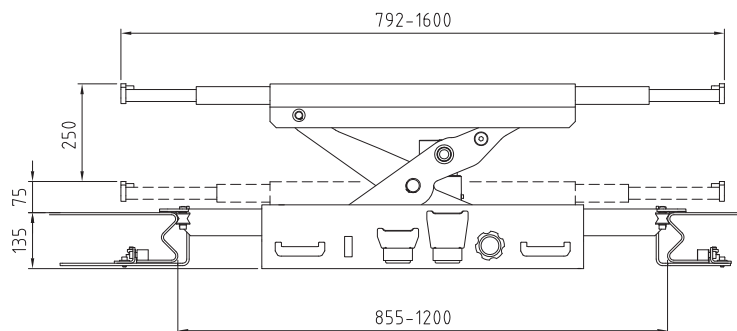
Description:

- Operates on the Major lift pump
- 2-hand operation
- Mechanical parking system
- Non-return valve
- Double arm extension
- Galvanized arms

Standard colours

- Red RAL 3020
- Grey RAL 7016

Technical data	
Lifting capacity	2,000 / 2,600 kg
Lifting height	300 / 250 mm
Drive-over height	75 mm
Lifting / lowering time	27/5 / 23/5 Sec.
Operation	Air-hydraulic
Pressure min. - max.	5,5/8 bar
Lift positions:	792 - 1,600 mm


autop Maschinenbau GmbH

Sandkampstraße 90
 48432 Rheine | Germany
 ☎ +49 5971 8602-02
 ☎ +49 5971 8602-25
 ✉ info@autopstenhoj.com

STENHOJ A/S

Barrit Langgade 188-190
 7150 Barrit | Denmark
 ☎ +45 76821-330
 ☎ +45 76821-331
 ✉ info@autopstenhoj.com

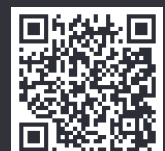
Versions:

- Micro 20 = 2,000 kg & 1,600 mm extension
- Micro 26 = 2,600 kg & 1,460 mm extension
- Special version Micro 26 = 2,600 kg & 1,600 mm extension
- Delivery includes a variety of pads

Optional extras:

- Hydraulic connection kits
- A large program of extra pads

Special colours available on request!


Produktdetails