

---

## OIL FILTER WRENCHES

---



Oil filter cup wrenches	236
Adjustable oil filter wrenches	238
Oil drain plugs sockets	239

---

## VACUUM TOOLS

---



Radiator cap pressure kit	242
Vacuum pump	243
Diesel fuel priming set	243

---

## FLUIDS

---



Fluid syringes	241
Transmission filling system	240

---

## INJECTORS AND GLOW PLUGS

---



Universal injectors' extractor	244
Diesel injection seat cutter set	247
Glow plugs remover kit	249

# 11



## SPECIAL TESTERS



Digital compression tester	256
Digital fuel pressure tester	258
Digital high pressure tester for COMMON RAIL	259
Multi-function tester for compression and fuel pressure	259

## SPECIAL PULLERS AND PLIERS



Pullers for homokinetic joint, steering arms and ball joints	266
Special set for silent block and for wheel bearings	268
Hose ring pliers	270
Fuel feed pipe pliers	272

## BRAKES, HUBS AND TIRES



Special tool for brake disc pistons	261
Hub wrenches	262
Wheel nut wrenches	264

## TIMING TOOL SET



Timing tool set	276
-----------------	-----

## CAR BODY SHOPS

Special tools for car body shops	332
----------------------------------	-----



## Oil filter cup wrench



CODE	Sides	Ø mm
FG 175/B1	14	65
FG 175/B2	14	65/67
FG 175/B3	14	68
FG 175/B4	14	73
FG 175/B5	15	74
FG 175/B6	15	74/76
FG 175/B7	15	75/77
FG 175/B8	14	76
FG 175/B9	8	76
FG 175/B10	15	78

CODE	Sides	Ø mm
FG 175/B11	15	80
FG 175/B12	15	80/82
FG 175/B13	16	86
FG 175/B14	15	90
FG 175/B15	10	92
FG 175/B16	15	93
FG 175/B17	15	95
FG 175/B18	15	100
FG 175/B19	15	106
FG 175/B20	15	108

**NEW**

## Chaves para filtro de óleo Purflux



### PURFLUX

CODE	Sides	Ø mm
FG 175/PF66	6	66
FG 175/PF76	6	76
FG 175/PF76-12	12	76
FG 175/PF76-30	30	76
FG 175/PF86	9	86

CODE	Sides	Ø mm
FG 175/PF86-18	18	86
FG 175/PF93-36	36	96
FG 175/PF93-45	45	93
FG 175/PF96	9	96
FG 175/PF96-18	18	96
FG 175/PF108-18	18	108

**NEW**

## Set 28pcs oil filter cup wrench

CODE
FG 175/S30

**NEW**

### CONTENT:

FG 175/B1 - FG 175/B20  
 FG 175/PF66 - FG 175/PF108-18  
 01 Adjustable oil filter wrench 60-120mm  
 01 Adaptor 1/2"x3/8"

## Set 4pcs oil filter cup wrench - Purflux model

CODE	CONTENT
FG 175PF/S4	FG 175/PF66, FG 175/PF76 FG 175/PF86, FG 175/PF96





## Oil filter cup wrench

CODE	Sides	Ø mm	H/mm	■	
FG 175/FO8	8	74	35	1/2"	<b>35,00</b>
FG 175/FO10	10	92	43	1/2"	<b>46,00</b>
FG 175/FO14	14	92	43	1/2"	<b>48,00</b>
FG 175/FO15	15	105	67	1/2"	<b>65,00</b>



## Oil filter cup wrench - MULTIJET

CODE	Lati	Ø mm	■	
FG 175/MJ16	16	76	3/8"	



## Oil filter cup wrench MERCEDES CDI

### APPLICATIONS:

- Mercedes classe C e classe E, 4 e 6 cilindri petrol
- Audi A3 TDI
- VW Golf IV TDI
- BMW E36 4 cilindri
- Porsche Cayenne, Boxster, 911

CODE	Lati	Ø mm	H/mm	□ - ●	
FG 175/FO14M	14	74	44	1/2" - 22mm	



## Chave para filtro de óleo motores TOYOTA

CODE	Sides	Ø mm	□	
FG 175/FO14T	14	79	1/2"	

## Wrench for removing/installing plastic seats of oil filters engines TDCi-HDi (Ford/PSA)

CODE	Ø mm	L/mm	□	
FG 175/A27	27	250	1/2"	

## Wrench for removing/installing plastic seats of oil filters engines - OPEL

CODE	Ø mm	L/mm	□	
FG 175/A32	32	136	1/2"	

**NEW**



## Adjustable oil filter wrench

CODE	Ø mm	
FG 176/RP	65 - 110	
FG 176/RP2	110 - 150	



## Adjustable oil filter wrench

CODE	Ø mm	
FG 176/RE	65 - 110	

## Oil filter wrench - double chain

CODE	Ø mm	■	
FG 177/FO1	60-115	1/2"	



## Oil filter wrench - double chain

CODE	Ø mm	L/mm	
FG 176/FO1	60-110	230	
FG 176/FO2	60-160	230	



## Oil filter strap wrench

CODE	Ø mm	
FG 176/NA1	160	
FG 176/NA2	240	

## Set for oil drain repair

- M13x1.25 - M17x1.5
- M13x1.5 - M20x1.5
- M15x1.5 - M22x1.5

CODE	
FG 175/S114	



## Adjustable oil filter pliers

CODE	Ø mm	■	
FG 178/SD	95 - 165	1/2"	



## Adjustable oil filter pliers

CODE	Ø mm	■	
FG 178/3L	60-120	1/2"	



## Adjustable self-locking oil filter pliers

CODE	Ø mm	
FG 176/CJ	53 - 118	



## Oil drain plug socket with XZN profile

CODE	M	
FG 175/XZN16	16	



## Special tool for plastic oil drain - Volkswagen TFSI and TDI

CODE	
FG 175/AT	



## Set of 3pcs plastic oil drains - Volkswagen TFSI and TDI

CODE	
FG 175/PO	



## Set of 18 oil drain plugs

CODE	
FG 175/S18B	

PROFILO	CONTENT
■	5/16", 3/8" 7, 8, 10, 11, 12, 13, 14 mm
▲	10 mm
●	8, 9, 10, 12, 14, 17 mm
XZN	16 mm
□	10 mm



## Set of 18 magnetic oil drain plugs

CODE	
FG 175/S15	

PROFILE	CONTENT
⬡	8, 10, 12, 14, 17 mm
⊙	13, 14, 17, 18, 19, 21mm
⊕	TX45



## Universal oil funnel

CODE	
FG 178/UF	



## Special tank for fluid

CODE	CAPACITY	
FG 178/20L	20 Litri	



## Camshaft and Crankshaft seal remover/installer set

- 28, 34, 42, 46, 48, 49, 52, 56, 58, 60, 64, 68 Ø/mm

CODE	
FG 178/S25	



## Special tools for installing bearings and oil seals

CODE	Ø/mm	
FG 178/P1	9,5 - 50	
FG 178/P2	18 - 90	

**NEW**

## Transmission filling system, for automatic/manual gearboxes and differentials

CODE	CAPACITY	
FG 176/S13	7,5 Litri	

- Supplied with 12 adaptors for direct connections
- Equipped of non-Return valve for leakage-free oil filling



## Battery liquid tester

CODE	L/mm	
FG 172/BL	380	



## Fluid syringe

Particularly useful for brake fluid and antifreeze

CODE	CAPACITY	
FG 491/200	0.2 Liters	

Indicatore per liquido freni e fluido anti-gelo  
Non adatta per carburanti e olii minerali



## Fluid syringe

Particularly useful for gear oil and differential fluid

CODE	CAPACITY	
FG 491/1500	1.5 Litri	

Non adatta per carburanti e olii minerali



## Special filling funnel for AdBlue liquid - Straight

**NEW**

CODE	CAPACITY	
FG 491/AD1	1.1 Litri	



## Special filling funnel for AdBlue liquid - Angled 45°

**NEW**

CODE	CAPACITY	
FG 491/AD2	1.1 Litri	







## Radiator cap pressure kit

- Supplied with 15 caps and 4 adaptors
- Pressure pump equipped with quick coupler and pressure release valve

CODE	Pcs	
FG 203/S20	21	

## Heavy truck radiator tester

- Supplied with 6 caps and 1 adaptor
- Pressure pump equipped with quick coupler and pressure release valve

CODE	Pcs	
FG 203/S8	08	



## Airvac coolant refiller

- Purge tapped air from cooling system to eliminate possibility of engine demagem due to overheating

CODE	Pcs	
FG 203/S7	07	





## Pressure and depressure tester

CODE	
FG 202/PV	

### IDEAL FOR:

- overpressure valves in turbo engines
- servo brakes
- pressure sensors of the fuel system
- electronic injection pressure regulating valves at low pressure
- condition of the cylinder head and pistons



## Diesel fuel priming set

- Supplied with connectors

CODE	
FG 201/S7	



## Device for testing Common Rail diesel electrical injectors

- allows up to 6 injectors to be measured simultaneously
- with adaptors for BOSCH, SIEMENS, DENSO y DELPHI

CODE	
FG 201/CR	

### Adaptors

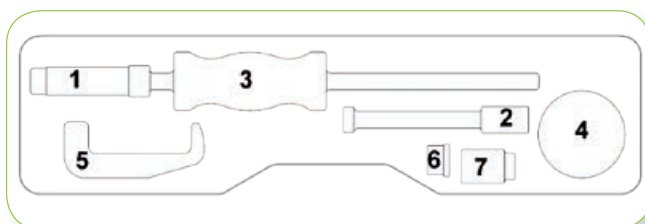


Quick couplings allows a faster use



## Universal injector removal set suitable for Bosch and Delphi

CODE	
FG 190/ES	



CODE	DESCRIPTION	APPLICATION
FG 190/ES-1	Asta 440mm per massa battente - M16x1.5	Bosch
FG 190/ES-2	Asta 165 mm per massa battente - M16x1.5	Bosch
FG 190/ES-3	Massa battente da 2 kg	
FG 190/ES-4	Massa battente da 1,5 kg	
FG 190/ES-5	Estrattore a forchetta per iniettori Bosch	Bosch
FG 190/ES-6	Adattatore iniettori - M14x1.5	Delph
FG 190/ES-7	Adattatore iniettori - M27x1.0	Bosch



## Set of adaptors for injectors' removal suitable for Bosch, Delphi, Denso and Siemens

CODE	
FG 191/S21	


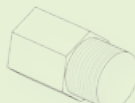




CODE	DESCRIPTION		APPLICATION	CODE	DESCRIPTION		APPLICATION
FG 191/ES-1	Adaptor M14X1.5		Delphi	FG 191/ES-11	Forch extractor 12 mm		Bosch
FG 191/ES-2	Adaptor M16X1.5			FG 191/ES-12	Forch extractor 13.5 mm		Bosch
FG 191/ES-3	Adaptor M25X0.5		Denso	FG 191/ES-13	Forch extractor 16 mm		
FG 191/ES-4	Adaptor M25X0.75		Denso	FG 191/ES-14	Forch extractor 26 mm		
FG 191/ES-5	Adaptor M27X1.0		Bosch	FG 191/ES-15	Universal joint		
FG 191/ES-6	Adaptor M16X1.0		Denso	FG 190/A25	Electronic injector's connection socket 25mm		Siemens
FG 191/ES-7	Adaptor M17X1.0		Bosch	FG 190/A27	Electronic injector's connection socket 27mm		Siemens
FG 191/ES-8	Adaptor M20X1.0		Denso	FG 190/A29	Electronic injector's connection socket 29mm		Bosch
FG 191/ES-9	Adaptor M25X1.0		Siemens	FG 190/A30	Electronic injector's connection socket 30mm		Bosch
FG 191/ES-10	Adaptor M27X1.0		Siemens	FG 190/EL	Puller for injector's electrodes ø 7.5mm		
				FG 190/EL1	Puller for injector's electrodes ø 6.9mm		



## Universal injector removal set suitable for Bosch, Delphi, Denso and Siemens

- with hand sliding hammer -4.8KG

CODE	
FG 191/S22	

CODE	DESCRIPTION		APPLICATION
FG 191/ES-1	Adaptor M14X1.5		Delphi / Bosch
FG 191/ES-2	Adaptor M16X1.5		Denso
FG 191/ES-3	Adaptor M25X0.5		Denso
FG 191/ES-4	Adaptor M25X0.75		Bosch
FG 191/ES-5	Adaptor M27X1.0		Denso
FG 191/ES-6	Adaptor M16X1.0		Bosch
FG 191/ES-7	Adaptor M17X1.0		Denso
FG 191/ES-8	Adaptor M20X1.0		Siemens
FG 191/ES-9	Adaptor M25X1.0		Siemens
FG 191/ES-10	Adaptor M27X1.0		Bosch
FG 191/ES-11	Forch extractor 12 mm		Bosch
FG 191/ES-12	Forch extractor 13.5 mm		Bosch
FG 191/ES-13	Forch extractor 16 mm		
FG 191/ES-14	Forch extractor 26 mm		
FG 191/ES-15	Universal joint		

## Universal injector removal set suitable for Bosch, Delphi, Denso and Siemens

- with pneumatic hammer

CODE	
FG 191/S23	



## Injector puller - special for VAG group

**NEW**

CODE	
FG 190/VW	



## Injection nozzle extractor for Bosch, Delphi, Siemens and Denso

CODE	
FG 190/IP	



## Special puller for Diesel injector electrodes

CODE	Ø mm	
FG 190/EL	7.5	



## Electronic injector connections sockets for Bosch and Siemens

CODE	Ø mm	Applications	
FG 190/A25	25	Siemens	
FG 190/A27	27	Siemens	
FG 190/A29	29	Bosch	
FG 190/A30	30	Bosch	



## Special set for injector's connections and electrodes

CODE	
FG 190/S5	

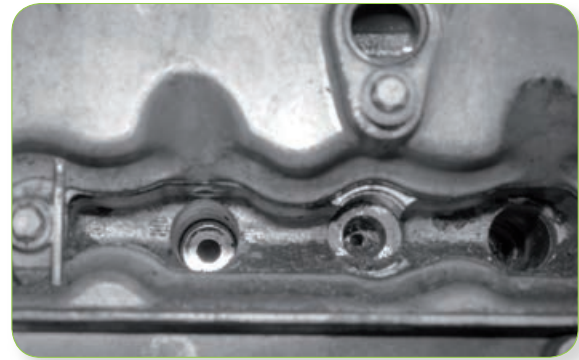


## Diesel injection seat cutter set

<b>CODE</b>	
FG 190/S6B	

### CONTENT:

- 01 flat cutter 17x19mm
- 01 flat cutter 15x19mm
- 01 flat cutter 17x17mm
- 01 conical cutter 17x21mm
- 01 conical cutter 17x17mm



## Special cleaning set for diesel injection seat and diesel spark plugs seat

<b>CODE</b>	
FG 190/S21	

- 1/4"dr. flexible long bit holder
- Brush holder - 1/4"dr.
- Brush - ø 19mm
- Long brush - ø 7mm
- Universal brush
- Caps for central hose

- Caps-holder
- Universal tool for copper seal
- Main tool
- Centering cones
- Side milling tool
- Injector adaptor



## Set of 6 open end ring wrenches for fuel injection connections

- 12, 14, 16, 17, 18, 19mm
- 1/2" drive

<b>CODE</b>	
FG 190C/S6	





**Adjustable wrench for fuel tank floating ring nuts**

Ø 88-170mm

CODE	
FG 174/SC	



**Adjustable wrench for fuel tank floating ring nuts**

Ø 160-205mm

CODE	
FG 173/SC3	



**Adjustable wrench for fuel tank floating ring nuts**

Ø 85-120mm

CODE	
FG 173/SC1	



**Adjustable wrench for fuel tank floating ring nuts FCA group (Fiat, Lancia, Alfa Romeo, Ferrari, Maserati)**

CODE	
FG 174/F1	

**NEW**



**Diesel fuel filter wrench for MULTIJET LANCIA, OPEL CDTI, SUZUKI DDiS**  
- Ø 90mm - 1/2" drive

CODE	
FG 175/FG2	



**Diesel fuel filter wrench for HDI**  
- Ø 27mm  
1/2" drive

CODE	
FG 175/FG3	



**Diesel fuel filter wrench for VOLVO**  
- 3/8" drive

CODE	
FG 175/FG4	



**Glow plug remover  
and repair set for  
M8, M9, M10**

<b>CODE</b>	
FG 182/S16	



**Special  
TITANIUM drill**

**Heavy duty  
puller**



**Repairing set damaged  
spark plug threads**

**CONTENT:**

- Bushes:  
M8x1,0 - M10x1,0 - M10x1,25 - M12x1,25
- Taps:  
M8x1,0 - M10x1,0 - M10x1,25  
M12x1,25, M14x1,25

<b>CODE</b>	
FG 182/S33	



**Diesel engine glow  
plug socket wrench**

CODE	Ø mm	■	
FG 183/B8	8	1/4"	
FG 183/B9	9	1/4"	
FG 183/B10	10	1/4"	
FG 183/B12	12	1/4"	
FG 183/B14	14	1/4"	



**Set of 5pcs Diesel engine  
glow plug socket wrenches**

CODE	Ø mm	■	
FG 183/S5	8, 9, 10, 12, 14mm	1/4"	





## 3/8"dr. spark plug socket



CODE	Ø mm	
FG 181/A14	14	
FG 181/A16	16	
FG 181/A18	18 (11/16")	
FG 181/A21	21 (13/16")	

3/8"

## 1/2"dr. spark plug socket

CODE	Ø mm	
FG 181/B14	14	
FG 181/B16	16	
FG 181/B18	18 (11/16")	
FG 181/B21	21 (13/16")	

1/2"



Metric feeler gauge

CODE	Blades	mm	
FG 188/1	13	0.05, 0.10, 0.15, 0.20, 0.25, 0.30, 0.40, 0.50, 0.60, 0.70, 0.80, 0.90, 1.00	
FG 188/2	20	0.05, 0.15, 0.20, 0.25, 0.30, 0.35, 0.40, 0.45, 0.50, 0.55, 0.60, 0.65, 0.70, 0.75, 0.80, 0.85, 0.90, 0.95, 1.00	

## T-Handle spark plug wrenches with swivelling sockets

CODE	Ø mm	
FG 181T/A14	14	
FG 181T/A16	16	
FG 181T/A21	21 (13/16")	

## Set of 3pcs T-Handle spark plug wrenches with swivelling socket

CODE	Ø mm	
FG 181/S3	14, 16, 21mm	



## 3/8"dr. special spark plug sockets - 12PT

CODE	Ø mm	L/mm	
FG 181/RE1	14	250	
FG 181/RE2	16	250	

- 14mm: BMW Mini, Citroën, Peugeot, Renault e Mercedes  
 - 16mm: BMW, Vauxhall/Opel, Jaguar e giapponesi

## Set of 2pcs 3/8"dr. spark plug sockets - 12PT

CODE	CONTENT	L/mm	■	
FG 181RE/S2	14, 16 mm	250	3/8"	





## Threaded coil insert repair set

- M5 - 0.8x1.5
- M6 - 1.0x1.5
- M8 - 1.25x1.5
- M10 - 1.5x1.5
- M12 - 1.75x1.5

CODE	
FG 181/S130	

## Threaded coil insert repair set

- M6 - 1.0x1.5
- M8 - 1.25x1.5
- M10 - 1.5x1.5
- M12 - 1.75x1.5
- M14 - 1.25x1.5

CODE	
FG 181/S115	



## Threaded coil insert repair set

- M14 - 1.25x1.5

CODE	
FG 181/S17	



## Insert coils

CODE	Ø mm	Minimum Quantity	
FG 193/M5	M5x0.8x1.5	50	
FG 193/M6	M6x1.0x1x15	50	
FG 193/M8	M8x1.25x1.5	50	
FG 193/M10	M10x1.5x1.5	50	
FG 193/M12	M12x1.75x1.5	25	
FG 193/M14	M14x1.25x1.5	25	



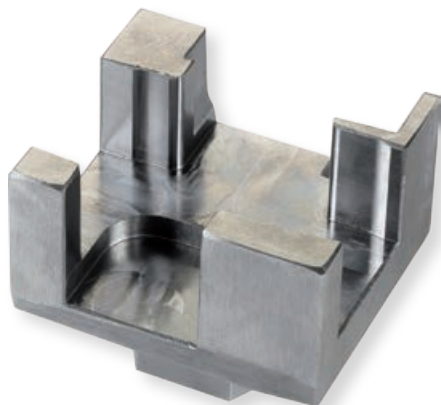
## Socket for lambda probe

CODE	mm	L/mm	
FG 183/B85	22	85	
FG 183/B110	22	110	



## Impact socket bits for cylinder head bolts - XZN9

CODE	L/totale	L1/mm	
FG 152L/RM9	120mm	95	



**CNG socket for valve tank  
FIAT MULTIPLA and PUNTO CNG  
(VBE 517, VBE 520, VBE 474 e VALE 110)**

CODE	DRIVE	
FG 800/2	36mm	



**Special socket for CNG valve tank  
FIAT PANDA, PUNTO EVO, VW**

CODE	DRIVE	
FG 800/3	33mm	



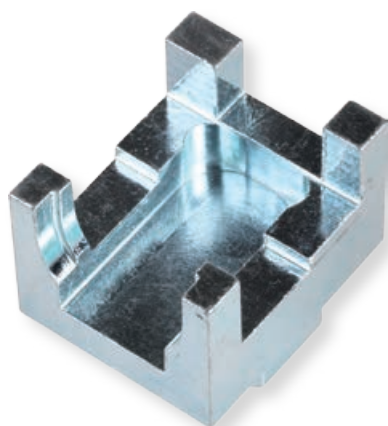
**Special socket for  
CNG valve tank OPEL ZAFIRA**

CODE	DRIVE	
FG 800/5	36mm	



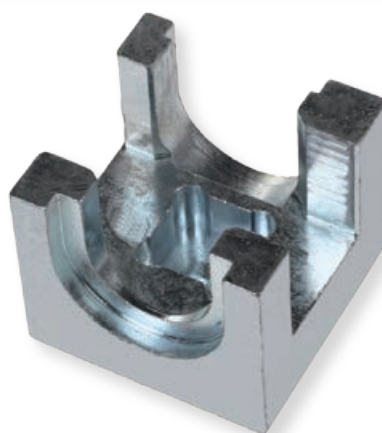
**Special socket for  
CNG valve tank MCR 110**

CODE	DRIVE	
FG 800/6	36mm	



**Special socket for CNG valve  
tank NEW FIAT PANDA**

CODE	DRIVE	
FG 800/7	36mm	



**Special socket for CNG valve  
tank CITROEN C4 PICASSO**

CODE	DRIVE	
FG 800/8	36mm	



**Set of 04pcs  
ignition pullers**

CODE	
FG 195/S4B	

**Ignition puller  
- Volkswagen group**

CODE	
FG 195/VW	

**NEW**



**Alternador pulley free  
wheel wrench - BOSCH**

CODE	TEETH	A/mm	•	
FG 179/PA20	33	19.45	17mm	



**Alternador pulley free  
wheel wrench**

CODE	Ø mm	
FG 179/H10	H10	

1/2"

Ø /mm



**Alternador pulley free  
wheel wrench**

CODE	TX	
FG 179/T50	TX50 - 31 TEETH	

1/2"



**Alternador pulley free  
wheel wrench  
FIAT GRANDE PUNTO**

CODE	M	
FG 179/GP	10	

1/2"

M



**Set of special tools for  
alternators pulley free  
wheels**

CODE	
FG 179/S16	



**Valve springs installing  
and removal tool**

CODE	
FG 190/SV	



**Valve spring compressor special for BMW, MINI, CITROEN, PEUGEOUT**

<b>CODE</b>	
FG 190/SV2	

**NEW**



**Fuel and air condition line disconnect set**

<b>CODE</b>	
FG 185/S27	



**Universal tools for expanding air bag**

<b>CODE</b>	
FG 185/S12	



**Special tester kit for TURBO system control**

<b>CODE</b>	
FG 189/S13	

**Sizes:**  
31, 38 46, 51, 55, 60, 65, 70  
75, 80, 85, 90mm





### Piston ring pliers

CODE	Ø mm	
FG 197/B1	50-100	
FG 197/B2	80-120	
FG 197/B3	110-160	

### Piston ring compressor

CODE	Ø mm	H mm	
FG 197/A3	53-125	76	
FG 197/A4	90-175	100	
FG 197/A6	90-175	152	



## CLUTCH ALIGNMENT TOOLS



Centerings' sizes:  
Ø12-20mm

CODE	
FG 180/S12	



Centerings' sizes:  
Ø14-18, 18-21, 22-25mm

CODE	
FG 180/CF	



### Clutch alignment tools for SAC

- 01 3-Arm Plate
- 01 4-arm plate
- 06 conical centers  
(15x23, 15x28, 15x34, 15x26.5, 15x32.5, 15x32.5mm)
- 09 centering pins  
(12, 14, 15, 15 / 22, 16, 17, 18, 19, 22 / 28mm)

CODE	
FG 180/S38	



## Digital compression tester

### Technical features:

- precision: 1%FS
- software in 7 languages (IT, EN, DE, FR, ES, PT, GR, PL)
- touch screen LCD display, 4,3"



CODE	
FG 215	

### Accessories included:

- 0-80 bars sensor
- Terminals for 12V battery connection
- kit of couplings + hose for petrol system
- hose for Diesel system

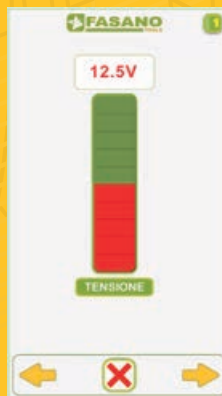
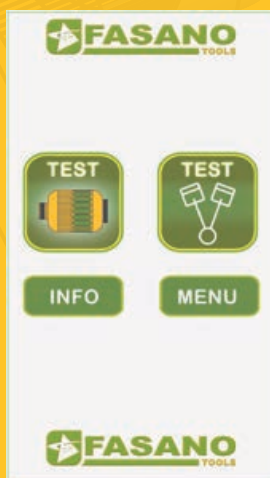
### Accessories included



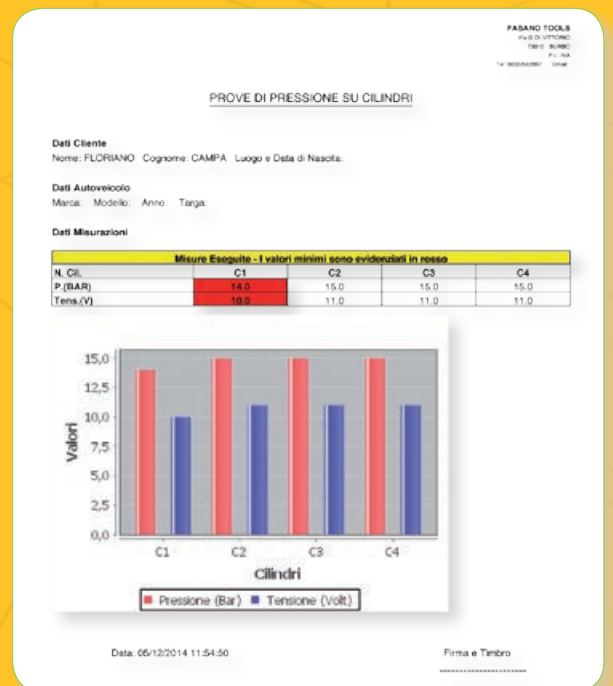
FG 215 allows to test the compression power of **Diesel** and **Petrol** systems. Designed, engineered and manufactured entirely in **Italy!**

### ALTERNATOR TEST FUNCTION

### Principal menu of FG 215



### COMPRESSION TEST & BATTERY TENSION TEST



Able to download and store datas into PC, personalizing the data sheet with the informations of own garage and own customers



**Set of fake glow plugs, injectors and fake adaptors for Petrol system**

CODE	
FG 215/S39	

## Glow plug adaptors



CODE	SIZE	L/mm	
FG 215/CA1	12x1.25	17.5	
FG 215/CA2	12x1.25	20.0	
FG 215/CA3	10x1.25	28.5	
FG 215/CA4	10x1.25	42.0	
FG 215/CA5	10x1.25	45.0	
FG 215/CA6	10x1.25	44.0	
FG 215/CA7	10x1.0	54.0	
FG 215/CA8	10x1.0	43.0	
FG 215/CA9	12x1.25	26.0	
FG 215/CA10	10x1.25	32.0	
FG 215/CA11	10x1.0	35.0	
FG 215/CA12	12x1.25	58.0	
FG 215/CA13	10x1.0	71.0	
FG 215/CA14	10x1.0	59.0	
FG 215/CA15	8x1.0	61.0	

CODE	SIZE	L/mm	
FG 215/CA16	10x1.25	85.0	
FG 215/CA17	10x1.0	80.0	
FG 215/CA19	10x1.25	102.0	
FG 215/CA20	9x1.0	88.0	
FG 215/CA21	10x1.25	85.0	
FG 215/CA22	10x1.0	73.0	

## 90° adaptor

CODE	
FG 215/AD90	



**High pressure hose complete of quick coupling**

CODE	
FG 215/TU	

## Injector adaptors



CODE	SIZE	L/mm	
FG 215/FI23	22x1.5	43.0	
FG 215/FI24	24x1.5	28.0	
FG 215/FI25	20x1.5	29.0	
FG 215/FI26	24x2.0	26.0	



**Adaptors for truck, marine and agriculture**

CODE	
FG 215MP/S9	

## Hose for petrol vehicles

CODE	
FG 215TU/BE	



## Fake spark plugs for petrol vehicles



CODE	SIZE		CODE	SIZE	
FG 215BE/M10	M10		FG 215BE/M14F	M14 - FORD ZETEC	
FG 215BE/M12	M12		FG 215BE/M16	M16	
FG 215BE/M14	M14		FG 215BE/PR	Prolunga universale	





As part of continuous development of specific Automotive tester, **FASANO TOOLS** launch the new **FG 216**, a digital tester capable of measuring fuel pressure of **Diesel** e **Petrol** systems. For Diesel system, **FG 216** is capable to measure **LOW PRESSURE** and **HIGH PRESSURE**.



## Digital fuel pressure tester

### Technical features:

- precision: 1%FS
- software in 7 languages (IT, EN, DE, FR, ES, PT, GR)
- touch screen LCD display, 4.3"

CODE	
FG 216	

### Accessories included:

- 0-80Bars and 0-2.500Bars sensors
- Terminals for 12V battery connection
- kit of couplings + hose for Diesel and Petrol systems

### Accessories included



### LOW PRESSURE function



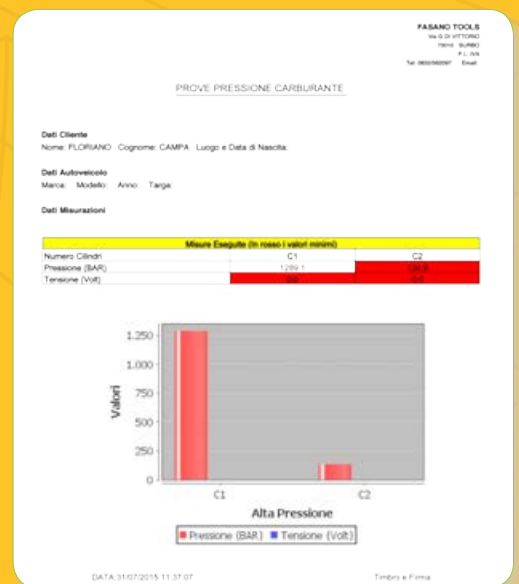
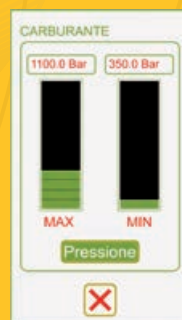
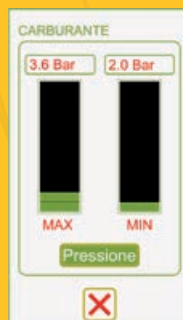
### COMMON RAIL PRESSURE function



### Principal menu of FG 216



### Display screens tests



Able to download and store data into PC, personalizing the data sheet with the informations of own garage and own customers

## Digital COMMON RAIL high pressure tester

### Technical features:

- precision: 1%FS
- software in 8 languages (IT, EN, DE, FR, ES, PT, GR, PL)
- touch screen LCD display, 4.3"

CODE	
FG 216/A	

FG 216/A is capable to measure **HIGH PRESSURE** of COMMON RAIL system.

It's equipped of all hoses and adaptors and with a sensor of **0-2.500Bar**.



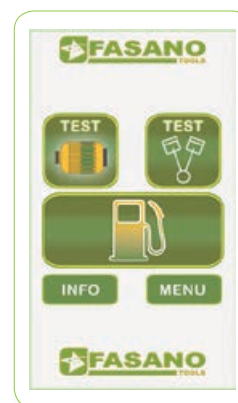
## Multi-function digital tester for compression and fuel pressure

### Technical features:

- precision: 1%FS
- software in 8 languages (IT, EN, DE, FR, ES, PT, GR, PL)
- touch screen LCD display, 4.3"
- sensors 0-80Bar and 0-2.500Bar

CODE	
FG 218/S	

FG 218 is a **MULTI-FUNCTION TESTER** capable to measure **COMPRESSION** and **FUEL PRESSURE**



Accessories included for pressure tester and for compression tester





### Manual/Pneumatic fluid extractor

- Capacity: 9 Liters
- equipped with universal couplings

<b>CODE</b>	
FG 492/AL	

### Pneumatic extractor for brake fluid

- Capacity: 2 Liters
- equipped with universal couplings

<b>CODE</b>	
FG 178/BF	



**FLUIDS' SUCTION**



### 12V instrument for brake fluid replacement

- 12V power supply via battery cables
- tank capacity: 5 liters
- adjustable pressure up to 6.0 bar
- equipped with a universal plug
- equipped with rear compartment door
- equipped with 1 oil recovery container
- body entirely made of stainless steel

<b>CODE</b>	
FG 178/SF	

**NEW**

**6 BAR**



**Pneumatic tool for pushing back and rotating right and left disc brake pistons with accessories**

CODE	CONTENT	
FG 199/PF	18 pz	



**Adaptor for worn calipers**

CODE	
FG 199/PFP	



**Drum brake spring pliers**

CODE	L/mm	
FG 199/A	330	



**Universal drum brake retaining spring clamp pliers**

CODE	L/mm	
FG 199/FM	185	



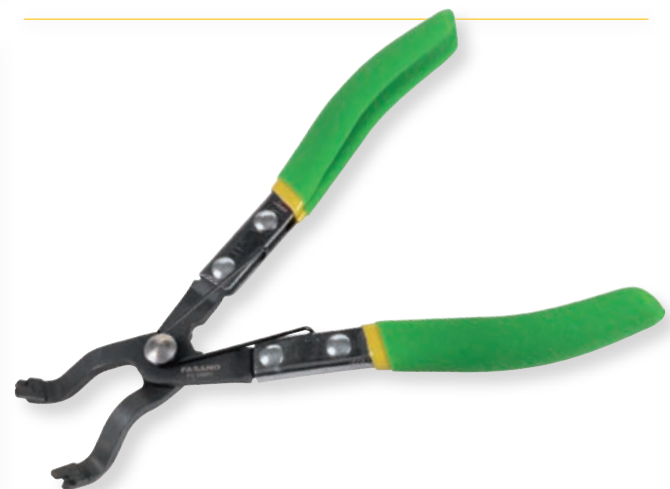
FG 199/PM3

FG 199/PM2

FG 199/PM1

**Drum brake spring pliers**

CODE	L/mm	
FG 199/PM1	210	
FG 199/PM2	330	
FG 199/PM3	540	



**Pliers for locking rings**

CODE	L/mm	
FG 165/FC	215	





## Hub impact socket bit

CODE	mm	L/mm	
FG 152/RM12	12	78	
FG 152/RM14	14	78	
FG 152/RM16	16	78	
FG 152/RM18	18	78	

## Set of 4pcs hub nut socket bits

CODE	CONTENT	
FG 152RM/S4	RM12, RM14, RM16, RM18	



## 3/4"dr. hub nut sockets

CODE	Ø mm	DRIVE	
FG 197/A36	36	3/4"	

**NEW**



## 1/2"dr. hub nut sockets

CODE	Ø mm	Ø mm EXTERNAL	Drive	
FG 198/A30	30	42	1/2"	
FG 198/A32	32	44	1/2"	
FG 198/A34	34	47	1/2"	
FG 198/A35	35	49	1/2"	
FG 198/A36	36	50	1/2"	



## Chave de caixa para aperto de porca de cubo IVECO Daily

CODE	Ø mm	Ø mm EXTERNAL	Drive	
FG 630/B65	65	87	1"	



## Hydraulic wheel hub puller

CODE	
FG 198/DF	

- Special plate with 10 holes

**NEW**



## 1/2"Dr. Deep impact socket for aluminum wheel



CODE	mm	L/mm	
FG 628/R15	15	86	
FG 628/R17	17	86	
FG 628/R19	19	86	
FG 628/R21	21	86	
FG 628/R22	22	86	



## Set 1/2"dr. deep impact sockets for aluminum wheels

CODE	Pz	CONTENU	
FG 628/S3	3	17, 19, 21mm	
FG 628/S5	3	15, 17, 19, 21, 22mm	

## 1/2"Dr. Deep impact socket for aluminum wheel



CODE	mm	L/mm	
FG 628R/L17	17	150.0	
FG 628R/L19	19	150.0	
FG 628R/L21	21	150.0	



## Set of 3pcs 1/2"dr. deep impact sockets for aluminum wheel

CODE	Pz	CONTENU	
FG 628L/S3	3	17, 19, 21mm	

## Wheel balancing weight pliers with soft-run system

CODE	mm	Inch	
FG 65SR/250	250	10"	



## Digital depth gauge for tyre threads

CODE	
FG 198/DG	

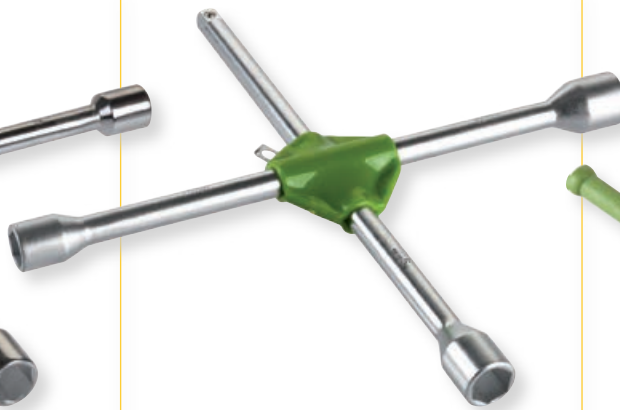


**NEW**



**Wheel nut wrench**

CODE	Ø/mm	
FG 198/A1	17x19x22x1/2"	
FG 198/B1	24x27x32x3/4"	



**Wheel nut wrench**

CODE	Ø/mm	
FG 198/A2	17x19x22x1/2"	



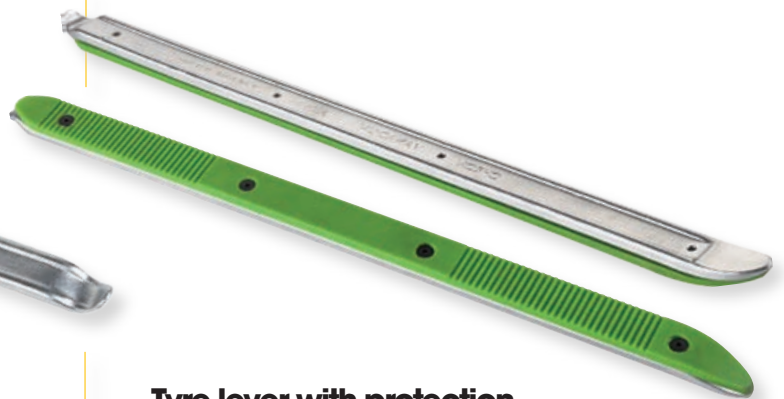
**Tyre valve lever**

CODE	L/mm	
FG 126/VP	335	



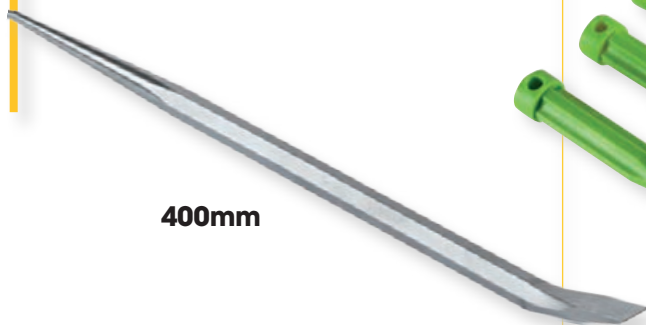
**Tyre lever**

CODE	L/mm	
FG 126/A300	300	
FG 126/A400	400	
FG 126/A500	500	
FG 126/A600	600	



**Tyre lever with protection for aluminum wheel**

CODE	L/mm	
FG 126/P500	500	



400mm

**Crow bars with closed and pointed edges**

CODE	
FG 125/B400	



**4pcs nylon levers set**

CODE	
FG 186P/S4	



**Desmounting socket for MERCEDES antitheft wheel nuts**

CODE	
FG 164/M17	



**Desmounting set  
for BMW antitheft  
wheel nuts**

<b>CODE</b>	
FG 164/A	



**Desmounting set  
for VW antitheft  
wheel nuts**

<b>CODE</b>	
FG 164/B	



**Desmounting set  
for BMW antitheft  
wheel nuts**

<b>CODE</b>	
FG 164/C	



**Desmounting set  
for VW antitheft  
wheel nuts**

<b>CODE</b>	
FG 164/D	



**Desmounting set  
for AUDI antitheft  
wheel nuts**

<b>CODE</b>	
FG 164/E	



**Desmounting set  
for antitheft wheel  
nuts - UNIVERSAL**

<b>CODE</b>	
FG 164/S10	





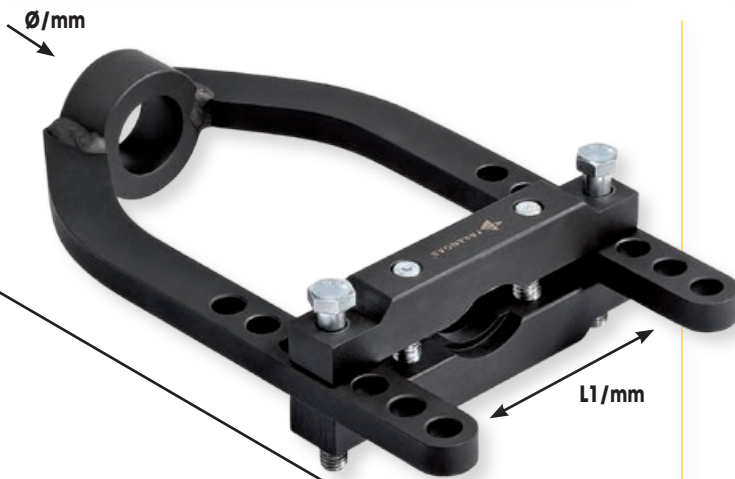
## Special vice for shock absorber with rubber grips



CODE	
FG 159/MB	

## Compressor for shock absorber springs Endowed of 2 extra bars

CODE	L/mm max	
FG 159/PM	65 - 200mm / 65 - 370mm	



## Homokinetic joint puller

CODE	Ø/mm	L/mm	L1/mm	
FG 165/GO1	32	250	104	



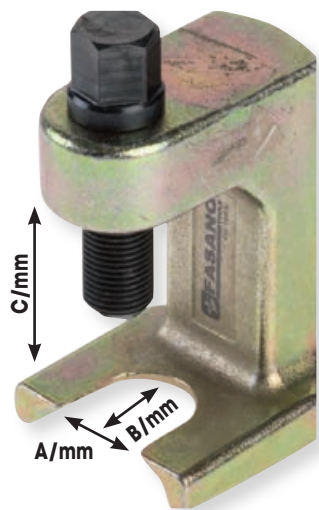
## Special tool for installing and removing steering arms

CODE	Ø/mm	Ø mm EXTERNAL	●/mm	L/mm	
FG 169/BS	35 - 45	73	1/2" o 27mm	400	
FG 169/BS1	28 - 35	89	1/2" o 27mm	400	



## Ball joint puller

CODE	Ø mm	L/mm	
FG 168/1	18 x 36	39	
FG 168/2	25 x 46	47	
FG 168/3	65 x 62	47	
FG 168/4	40 x 63	75	



## Ball joint puller

CODE	
FG 168/E	

A/mm: 23.5  
B/mm: 25.0  
C/mm: 55



## Ball joint puller

CODE	Ø/mm	L/mm	
FG 169/FO1	18	400	
FG 169/FO2	23	400	
FG 169/FO3	30	400	



## Ball joint puller

CODE	Ø/mm	L/mm	
FG 169/1	19	38	



## Ball joint puller

CODE	Ø/mm	L/mm	
FG 169/2	22	30-56	
FG 169/3	20	50-80	



## Inner bearing puller set

CODE	
FG 166/S7	

- Chucks: Ø 40-45mm, 45-51mm, 50-55mm, 55-61mm  
- Wrenches: Ø 82.7mm, 58.9mm

Useful for:  
Audi-Volkswagen,  
BMW, Ford, Fiat,  
Mercedes, Opel,  
Renault, Seat,  
Skoda, Porsche,  
Peugeot, Volvo





## Special tool set for installing and removing SILENT BLOCK

- sockets for  $\varnothing$  44-82mm
- 4 threaded bars M10, M12, M14, M16

CODE	
FG 165/S26	



## Special tool set for installing and removing SILENT BLOCK Fiat Panda 4x4 and Panda CNG

CODE	
FG 165/S7	

## Special tool set for installing and removing SILENT BLOCK MINI COOPER R50/R53



CODE	
FG 165/S6	



## Special tools for installing and removing wheel bearings

- 8 removing sockets  $\varnothing$  34-45mm
- 11 installing sockets  $\varnothing$  60-84mm

CODE	
FG 166/S28	



## Hydraulic jack - 17Ton

CODE	
FG 166/M17	





## Set of crimping pliers and Weather-pack terminals

CODE	
FG 185/S190	



Terminal release tool

CODE	
FG 185/K20	



Male terminal

CODE	Ø/mm <sup>2</sup>	Quantity	
FG 185/K1	0.5-0.85	20pz	
FG 185/K4	1.25-2.0	20pz	
FG 185/K7	3.0	20pz	



Female terminal

CODE	Ø/mm <sup>2</sup>	Quantity	
FG 185/K2	0.5-0.85	20pz	
FG 185/K5	1.25-2.0	20pz	
FG 185/K8	3.0	20pz	



Wire seal

CODE	Ø/mm <sup>2</sup>	Quantity	
FG 185/K3	1.4-1.9	25pz	
FG 185/K6	2.0-3.4	30pz	
FG 185/K9	2.9-3.8	25pz	



Male connector

CODE	Poles	Quantity	
FG 185/K10	1	3pz	
FG 185/K12	2	2pz	
FG 185/K14	3	1pz	
FG 185/K16	4	1pz	
FG 185/K18	4	1pz	



Female connector

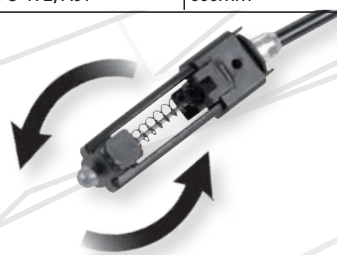
CODE	Poles	Quantity	
FG 185/K11	1	3pz	
FG 185/K13	2	2pz	
FG 185/K15	3	1pz	
FG 185/K17	4	1pz	
FG 185/K19	4	1pz	

## Automatic hose ring pliers with extension

CODE	L/Extension	
FG 172/AS	630mm	

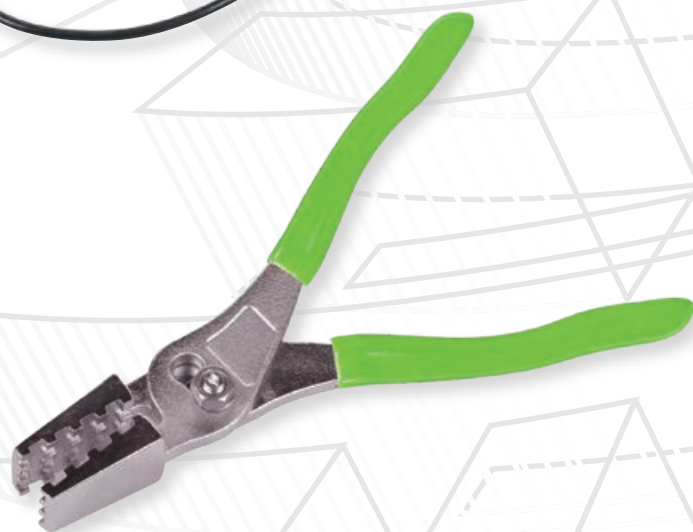
## Automatic hose ring pliers with extension and swivel head

CODE	L/Extension	
FG 172/AS1	630mm	



## Hose clip pliers

CODE	
FG 172/FA	



## Special tools for hose rings locking

CODE	Ø/mm	
FG 172/HS1	0 - 60mm	
FG 172/HS2	0 - 85mm	



## Hose removal pliers

CODE	
FG 172/TG	



**NEW**



## FLUG FLANGERS

### Flug flanger pliers

CODE	DRIVE	
FG 172/GO	3/8"	

### Flug flanger pliers

CODE	L/mm	
FG 172/OT	230	



### C.V. Clamp banding tool with cutter

CODE	Ø/mm	
FG 172/PA	4.7 - 9.5	

For use with Panduit ties



### Hose clip pliers

CODE	L/mm	
FG 172/CL	173	



### External butt-ended circlip pliers

CODE	CAPACITY	
FG 55/SP	30 - 100mm	



**Fuel feed pipe pliers**

CODE	L/mm	
FG 171	155	

**Fuel feed pipe pliers**

CODE	L/mm	
FG 171/N	155	

**Fuel feed pipe pliers**

CÓDIGO	
FG 171/B	34,00

**Fuel feed pipe pliers - MULTIJET**

CODE	L/mm	
FG 172/MJ	230	

**Wedges for releasing diesel fuel filter fittings**

**NEW**

CODE	
FG 172/S4	

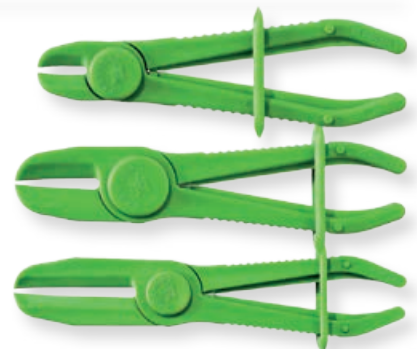


**Plastic hose pliers**

CODE	Ø mm	L/mm	
FG 170/1	8-15	160	
FG 170/2	15-25	190	
FG 170/3	25-45	220	

**Set of 3pcs plastic hose pliers**

CODE	CONTENT	
FG 170/S3	FG 170/1, FG 170/2, FG170/3	



## Valve seal removal pliers

CODE	L/mm	
FG 174	270	



## Spark-plug pliers

CODE	L/mm	Ø mm/min	
FG 172/CA	290	14	



## Relay removal pliers

CODE	Ø mm/min	
FG 172/RL1	15 - 50mm	



## Relay removal pliers

CODE	Ø mm/min	
FG 172/RL2	15 - 50mm	



Bent patterns, 60°

**RELAY  
PLIERS**

## Special tool for nozzle adjusting

CODE	
FG 195/U	



## Special wrench for turbo charger

CODE	mm	■	
FG 196/A12	22	3/8"	





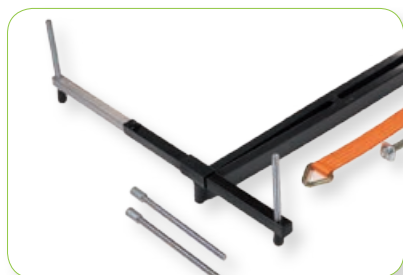
## Lower engine bracket

CODE	L/mm	
FG 213/SM	1.050	

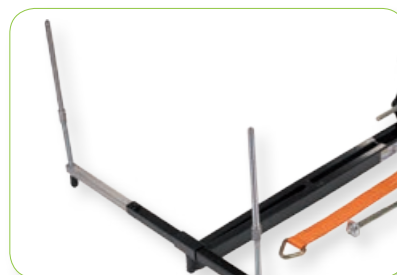
Useful to support the engine or gearbox during maintenance work (shift belt, clutch, alternator, water pump, etc.) of car and commercial vehicles.

**NEW**

Special extended version, which can also be used on gearboxes particularly wide



Extensions included



## Lower engine bracket

CODE	L/mm	
FG 213/SM1	1.100	

Useful to support the engine or gearbox during maintenance work (shift belt, clutch, alternator, water pump, etc.) of car and commercial vehicles.

**NEW**

Special extended version, which can also be used on gearboxes particularly wide



Extensions included



## Lever for pulling arm and shock absorbers

CODE	L/mm	
FG 213/LT	750	

*Suitable for passenger cars and commercial vehicles*

**NEW**



## Universale transmission support

CODE	
FG 213/SU	

*Equipped with adaptor for under bridge jack Ø 25-30-35-45mm*

*Suitable for passenger cars and commercial vehicles*

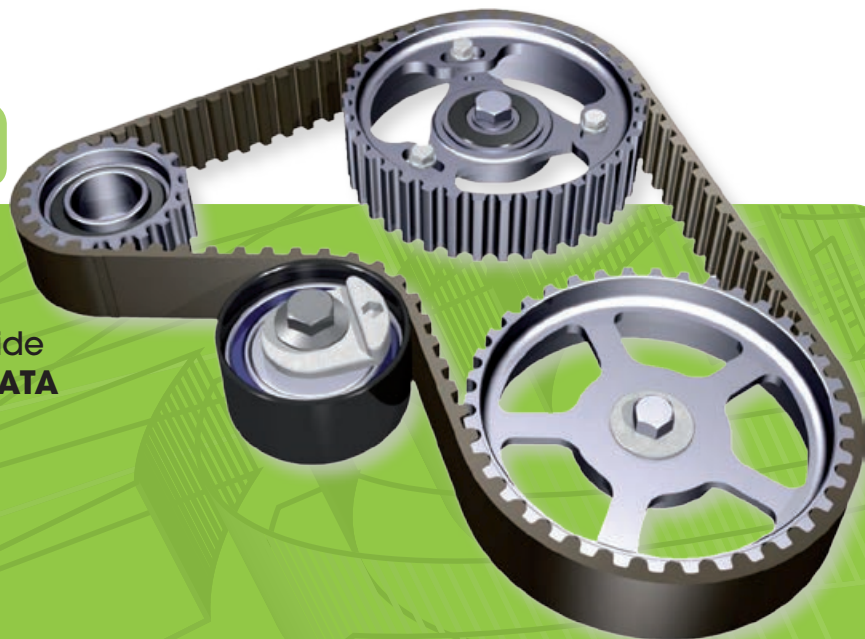
**NEW**



# SPECIAL

## TIMING TOOLS

The program of TIMING TOOLS has been developed with high accuracy and using official information coming from a worldwide leader about Thecnical database: **AUTODATA**



### INSTRUCTIONS

In each User Manual there's the correspondece between **FASANO tools** and OEM tools. This feature permits a fast research and using of each individual tools

CODE	DESCRIPTION
FG 192/BW4-1	Camshaft alignment tool
FG 192/BW4-2	Crankshaft pulley turning tool
FG 192/BW4-3	Flywheel/drive plate timing pin
FG 192/BW4-3	High-pressure fuel pump sprocket removal tool

### SPARE PARTS

**FASANO Tools** permits to buy the complete set available on the Catalogue and also individual tools which compose each set

**TOOL FINDER**  
RICERCA IL KIT DI FASATURA PER IL TUO VEICOLO

Marca

Modello

Cilindrata

Motore

Alimentazione

Ricerca per codice motore

Codice motore

Il programma speciale di utensili per la fasatura motore è stato sviluppato con estrema accuratezza utilizzando informazioni ufficiali provenienti da uno dei leader mondiali in tema di Banche Dati quali AUTODATA.

Ogni singolo set è dotato di apposito Manuale d'Uso dove l'utilizzatore può trovare la corrispondenza di ogni singolo pezzo con il codice originale fornito dalla Casa Costruttrice.

In collaborazione con: **Autodata**  
It's what we know

### TOOL FINDER

In the home of webiste [www.fasanotools.com](http://www.fasanotools.com) it's possible to use a fast research tool only writing the most important datas of veichule.



### FASANOTOOLS APP

Into FASANOTOOLS APP, available for ios and ANDROID devices, it's possible to find the Official Catalogue and the special TIMING TOOL FINDER



IN COLLABORATION WITH:



It's what we know

Autodata non è responsabile per l'uso improprio di informazioni tecniche allegate ai prodotti FASANO Tools



## Puller for injection pump pulley - BMW

Motor codes: M41, M51

CODE	
FG 192/BW1	



## Puller for injection pump pulley - BMW

Motor codes: M47, M47TU, M57, M57TU

CODE	
FG 192/BW2	



## Timing tool set for BMW 2.0 N47, N47S, 57 - chain



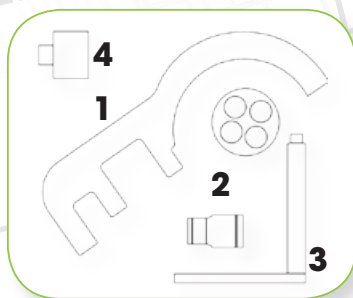
### Models:

118D(E81/E87); 120D(E81/E82/E87); 123D(E81/E82/E87); 318D(E90/E91); 320D(E90/E91/E92); 520D(E60/E); X3 2.0D(E83)

Engines: 1.6D, 2.0D, 3.0D

Motor codes: N47, N47S, N57

CODE	
FG 192/BW4	



CODE	DESCRIPTION	
FG 192/BW4-1	Camshaft alignment tool	
FG 192/BW4-2	Crankshaft pulley turning tool	
FG 192/BW4-3	Flywheel/drive plate timing pin	
FG 192/BW4-4	High-pressure fuel pump sprocket removal tool	



## Crankshaft holding tool for N47/N47S/N57 BMW engines



### Models:

118D(E81/E87); 120D(E81/E82/E87); 123D(E81/E82/E87); 318D(E90/E91); 320D(E90/E91/E92); 520D(E60/E); X3 2.0D(E83)

Engines: 1.6D, 2.0D, 3.0D

Motor codes: N47, N47S, N57

CODE	
FG 192/BW3	



## Balancer shaft timing tools suitable for BMW (N47/N47S)



### Models:

118D(E81/E87); 120D(E81/E82/E87); 123D(E81/E82/E87); 318D(E90/E91); 320D(E90/E91/E92); 520D(E60/E); X3 2.0D(E83)

Engines: 1.6D, 2.0D

Motor codes: N47, N47S

CODE	
FG 192/BW4B	



## Timing tool set for BMW M47 /M57 LAND ROVER 2.0 - 3.0 Diesel TD4/TD6; OPEL 2.5 D



**Models:**

**BMW M47 /M47TU:** 120d, 318d, 318td Compact, 320d, 520d, X3

**BMW M57 /M57TU:** 330d, 335d, 530d, 535D, 635d, 730d, X3, X5, X5D Turbo, X6

**LAND ROVER:** Freelander (Td4) 2000-2006; **Range Rover:** Td6 (02-13)

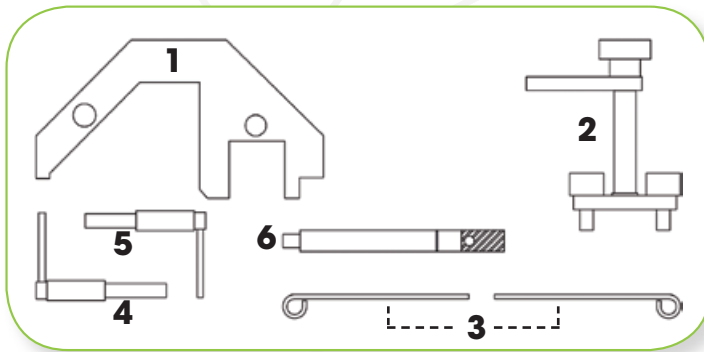
**VAUXHALL/OPEL:** Omega-B (01-03)

**Engine:** 2.0; 2.5; 3.0 Diesel

**Engine code:** M47: 20 4D 1; M47TU: 20 4D 4 / M57: 306D1;

M57: YD30T2, 204D3TD4 / M57TU: 306D2, 306D5, 306D1 / TD6: Y25DT

CODE	
FG 192/BW5	



CODE	DESCRIPTION	
FG 192/BW5-1	Camshaft alignment tool	
FG 192/BW5-2	Camshaft locking tool	
FG 192/BW5-3	Tensioner locking pins (2 pcs)	
FG 192/BW5-4	Flywheel timing pin 1	
FG 192/BW5-5	Flywheel timing pin 2	
FG 192/BW5-6	Flywheel timing pin	



## Timing tool set for BMW N40, N45



**Models:**

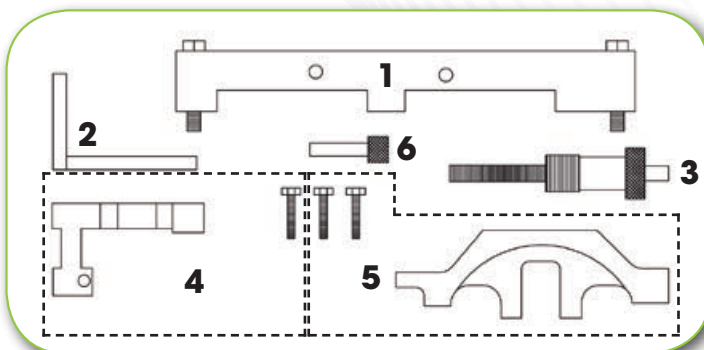
**N40:** (E46) 316i/316ti/316Ci

**N45:** (E81/E87) 116i; (E90) 316i

**Engine:** 1.6

**Engine code:** N40 B16A; N45TB16AC, N45B16A

CODE	
FG 192/BW6	



CODE	DESCRIPTION	
FG 192/BW6-1	Sensor gear alignment tool	
FG 192/BW6-2	Flywheel timing pin	
FG 192/BW6-3	Timing chain pre-tensioning tool	
FG 192/BW6-4	Camshaft alignment tool	
FG 192/BW6-5	Camshaft alignment tool	
FG 192/BW6-6	Camshaft alignment tool	



## Timing tool set for BMW N42, N46, N46T

### Models:

N42: (E46) 316i / 316ti / 318ti/318i

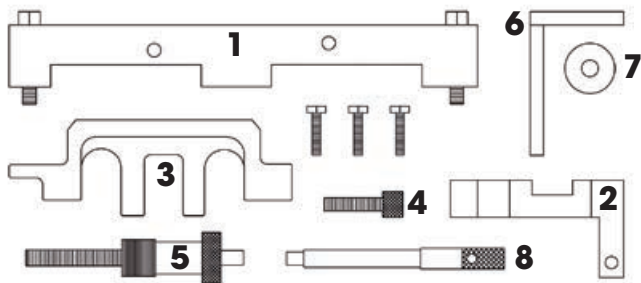
N46: (E87) 118i / 120i; (E90/E91) 318i/320i; Z4 (E85)

**Engine:** 1.8, 2.0

**Engine code:** N42 B18A; N42 B20A

N46 B18; N46 B20; N46 B20B

CODE	
FG 192/BW8	



CODE	DESCRIPTION	
FG 192/BW8-1	Sensor gear alignment tool	
FG 192/BW8-2	Inlet camshaft alignment tool	
FG 192/BW8-3	Exhaust camshaft alignment tool	
FG 192/BW8-4	Camshaft alignment tool	
FG 192/BW6-3	Timing chain pre-tensioning tool	
FG 192/BW6-2	Flywheel timing pin 2	
FG 192/BW8-7	Flywheel timing pin 1	
FG 192/BW8-8	Inlet camshaft turning tool	



## Timing tool set for BMW VALVETRONIC

### Models:

N42: (E46) 316i / 316ti / 318ti/318i

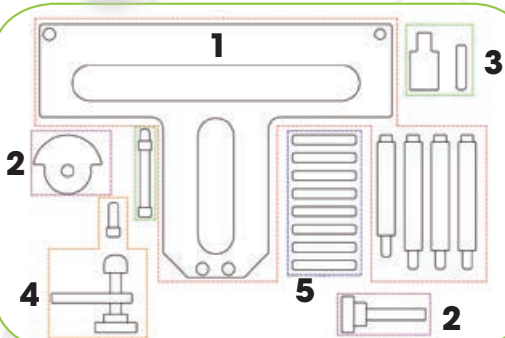
N46: (E87) 118i / 120i; (E90/E91) 318i/320i; Z4 (E85)

**Engine:** 1.8, 2.0

**Engine code:** N42 B18A; N42 B20A

N46 B18; N46 B20; N46 B20B

CODE	
FG 192/BW18	



CODE	DESCRIZIONE	
FG 192/BW18-1	Camshaft/Carrier Bracket Mounting Fixture	
FG 192/BW18-2	Inlet Camshaft Securing Tool (Front)	
FG 192/BW18-3	Torsion Spring Remover/Installer	
FG 192/BW18-4	Inlet Camshaft Securing Tool (Rear)	
FG 192/BW18-5	Intermediate Lever Clamp Set (8)	



## Timing tool set for BMW N62/N73



### Models:

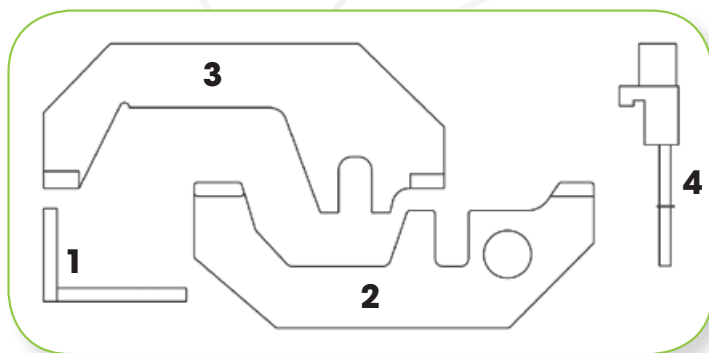
**N62:** 540i, 545i, 550i (E60/61); 645i, 650i (E63864), 735i, 740i, 745i  
750i (E65/66), X5 (E53/E70)

**N73:** 760i (E65/66)

**Engine:** 3.6-4.0-4.4-4.8

**Engine code:** N62 B40A; N62 B44A; N62 B48B; N62 B36A  
N73 B60A

CODE	
FG 192/BW7	



CODE	DESCRIPTION	
FG 192/BW7-1	Crankshaft pulley alignment tool	
FG 192/BW7-2	Inlet camshaft alignment tool	
FG 192/BW7-3	Exhaust camshaft alignment tool	
FG 192/BW7-4	Camshaft locking tool	



## Timing tool set for BMW N43 1.6 & 2.0



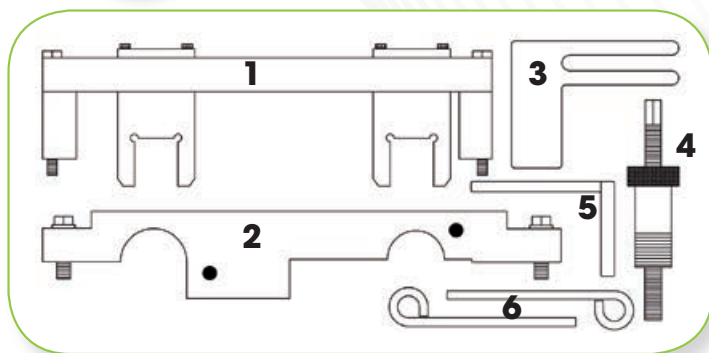
### Models:

116i; 118i; 120i; 316i; 318i; 320i; 520i

**Engine:** 1.6; 2.0

**Engine code:** N43 B16A/AA; N43 B16AA; N43 B20K0;  
N43 B20AY; N43 B20A; N43 B20AA;  
N43 B16AA/OO; N43 B20U0

CODE	
FG 192/BW9	



CODE	DESCRIPTION	
FG 192/BW9-1	Camshaft alignment tool 1, 2, 3	
FG 192/BW9-2	Camshaft position (CMP) sensor disc setting tool 1 & 2	
FG 192/BW9-3	Balancer shaft alignment tool	
FG 192/BW9-4	Timing chain pre-tensioning tool	
FG 192/BW9-5	Flywheel timing pin	
FG 192/BW9-6	Tensioner locking pin	



## Timing tool set for BMW N13 e N18



### Models:

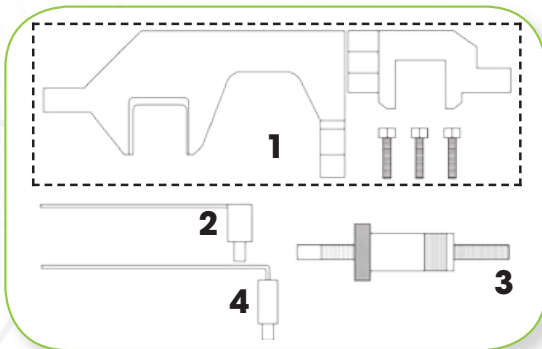
**BMW:** Serie 1 (114i; 116i; 118i); Serie 3 (316i; 320i)  
**MINI:** Clubman (Cooper S (R55)); Clubman (JCW (R55));  
 Countryman (Cooper / Cooper S (R60), JWC (R60));  
 Coupe (Cooper S / JCW (R58)); Mini (Cooper S (R56/R87);  
 Paceman (Cooper / JCW (R61)); Roadstar (Cooper S/JCW(R59))

**Engine:** 1.6 benzina

**Engine code:** N13, B16A (cambio manuale), N18 B16A; N18 B16M0; N18 B16C; N18 B16A/MO; N18 B16C/TO

CODE	
FG 192/BW8B	

CODE	DESCRIPTION	
FG 192/BW8B-1	Attrezzo allineamento alberi a camme+3 viti	
FG 192/BW8B-2	Perno fasatura albero motore (cambio manuale)	
FG 192/BW8B-3	Attrezzo pretensionamento catena distribuzione	
FG 192/BW8B-4	Perno fasatura albero motore	



## Timing tool set for BMW N20 e N26



### Models:

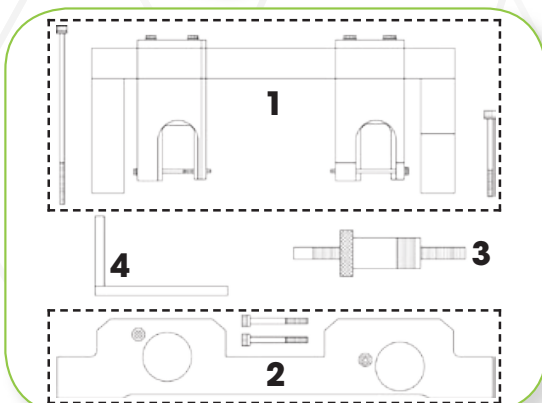
Serie 1 (125i); Serie 3 (320i/xDrive; 328i/xDrive);  
 Serie 5 (520i; 528i/xDrive); X1 (sDrive18i; sDrive20i; xDrive28i);  
 X3 (xDrive20i; xDrive28i); Z4 (sDrive18i; sDrive20i; sDrive28i)

**Engine:** 2.0 benzina

**Engine code:** N20 B20A; N20 B20B/U0; N20; N26 B20

CODE	
FG 192/BW8C	

CODE	DESCRIZIONE	
FG 192/BW8C-1	Attrezzo allineamento alberi a camme	
FG 192/BW8C-2	Attrezzo allineamento ingranaggi sensore	
FG 192/BW8C-3	Attrezzo pretensionamento catena distribuzione	
FG 192/BW8C-4	Perno fasatura volano / piastra di comando	







## Timing tool set for ALFA ROMEO 1.4, 1.6, 1.8 2.0



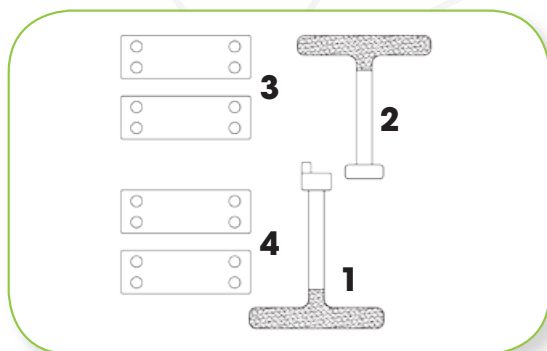
### Models:

145, 146, 155, 156, 166, 147, GTV, Spider

**Engine:** 1.4, 1.6, 1.8, 2.0 benzina

**Engine code:** 162.01/323.01; 322,01; 335,03; 676,01; 41,03

CODE	
FG 192/AF4	



CODE	DESCRIPTION	
FG 192/AF4-1	Timing belt tensioning tool	
FG 192/AF4-2	Balancer shaft belt tensioning tool	
FG 192/AF4-3	Camshaft locking tool (purple: 1.4 engines)	
FG 192/AF4-4	Camshaft locking tool (blue: 1.8 and 2.0 engines)	



## Timing tool set for ALFA ROMEO 1.75 Tbi



### Models:

159; BRERA; GIULIETTA; SPIDER. LANCIA: DELTA

**Engine:** 1,75 Tbi; 1,75 DI Turbo

**Engine code:** 939B1.000; 940A1.000

CODE	
FG 192/AF4B	



## Timing tool set for ALFA ROMEO 1.6 Eco 105 Hp



**Models:** 147

**Engine:** 1,6 Eco 105 Hp

**Engine code:** 372.03

CODE	
FG 192/AF2	



## Timing tool set for ALFA ROMEO 2.0 JTS 165 HP

**Models:** GT, 156

**Engine:** 2.0 JTS

**Engine code:** 932A2.000; 937A1.000

CODE	
FG 192/AF4C	



## Flywheel locking tool for FIAT

**Models:**

**FIAT:** Punto/Punto Classic; Grande Punto; Punto Evo; Palio Weekend; Stilo; Croma; Idea; Multipla; Strada Pick-Up; Marea; Marea Weekend; Sedici; Doblo'; Doblo' Cargo; Linea; Bravo

**LANCIA:** Lybra; Musa; Delta

**ALFA:** 145; 146; 147; 156; 159

**Engine:** 1.8 petrol

1.6 Multijet, 1.9 JTD - 1.9 Multijet, 2.0, 2.4

CODE	
FG 192/FT1	



## Timing tool set for FIAT CROMA, OPEL 2.2 16V

**Models:**

**FIAT:** CROMA

**OPEL:** ASTRA, VECTRA, VX220 SPEEDSTER, ZAFIRA, SIGNUM,

**Engine:** 2.2 16V (petrol with chain)

**Engine code:** 194A1.000; Z22SE; Z22YH

CODE	
FG 192/FT3	



## Special tool for holding of water pump for FIAT CROMA, OPEL

**Models:**

**FIAT:** CROMA

**OPEL:** ASTRA, VECTRA, VX220 SPEEDSTER, ZAFIRA, SIGNUM,

**Engine:** 2.2 16V (petrol with chain)

**Engine code:** 194A1.000; Z22SE; Z22YH

CODE	
FG 192/FT4	





### Timing tool set for FIAT 1.6 16V



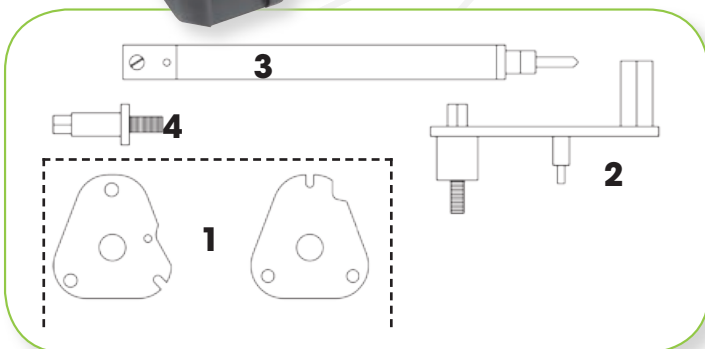
**Models:**

Brava; Bravo; Marea; Multipla; Stilo; Palio Weekend

**Engine:** 1.6 16V

**Engine code:** 178B3.000; 182A4.000; 182A6.000; 182B6.000

CODE	
FG 192/FT5	



CODE	DESCRIPTION
FG 192/FT5-1	Camshaft locking tools
FG 192/FT5-2	Tensioning tool
FG 192/FT5-3	Dial gauge adaptor
FG 192/FT5-4	Flywheel locking tool

### Flywheel locking tool for FIAT

**Models:** Brava; Bravo; Multipla

**Engine:** 1.6 16V

**Engine code:** 182B6.000, 182A4.000

CODE	
FG 192/FT5A	



### Timing tool set for FIAT 1.2/1.4 16V



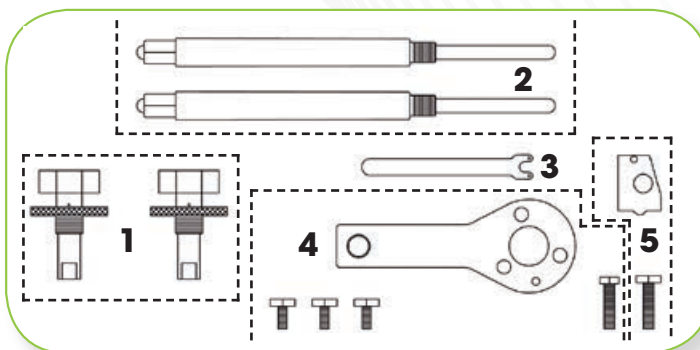
**Models:**

FIAT: Punto, Brava, Bravo, Marea, Stilo, Palio Weekend  
LANCIA: YPSILON, MUSA

**Engine:** 1.2 16V, 1.4 16V

**Engine code:** 176B9.000; 182B2.000; 188A5.000; 843A1.000

CODE	
FG 192/FT5B	



CODE	DESCRIPTION
FG 192/FT5B-1	Camshaft locking tools (2 pcs)
FG 192/FT5B-2	Piston position tools (2 pcs)
FG 192/FT5B-3	Tensioning tool
FG 192/FT5B-4	Crankshaft locking tool
FG 192/FT5B-5	Camshaft sprocket locking tool

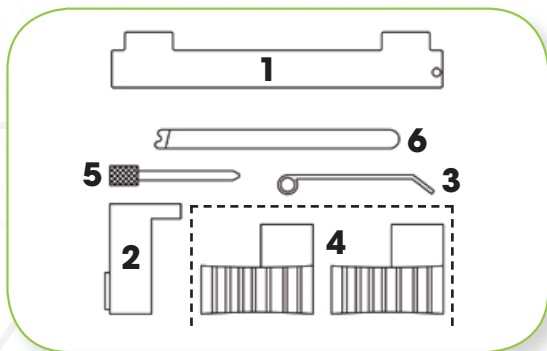


## Timing tool set FIAT, ALFA ROMEO, CHEVROLET, OPEL 1.6, 1.8



**Models:** **FIAT:** Croma; **ALFA ROMEO:** 159;  
**CHEVROLET:** Aveo; Cruze  
**OPEL:** Corsa; Astra, Meriva, Zafira, Vectra, Signum, Insignia  
**Engine:** 1.4, 1.6, 1.8 benzina  
**Engine code:** 939A4.000; G14D; LXV(F16D4);  
 2HO(Z18XER); Z16LEL; Z16LER; Z16LET; Z16XE1; Z16XEP;  
 Z16XER; A16XER; A18XER; 2HO/A18XEL

CODE	
FG 192/FT7	



CODE	DESCRIPTION	
FG 192/FT7-1	Camshafts timing tool	
FG 192/FT7-2	Flywheel locking tool	
FG 192/FT7-3	Tensioner pulley locking pin	
FG 192/FT7-4	Camshaft sprockets locking tool (2 pcs)	
FG 192/FT7-5	Auxiliary drive belt tensioner locking tool	
FG 192/FT7-6	Flywheel locking tool	



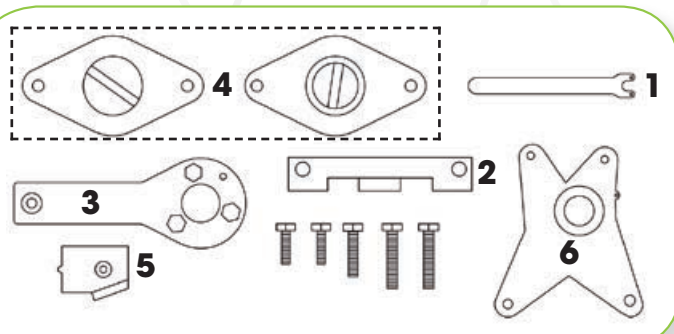
## Timing tool set FIAT 1.2 8V, 1.4 8V



**Models:**  
 FIAT 500, Grande Punto, Doblo, Panda EVO2.  
 LANCIA Musa

**Engine:** 1.2 8V / 1.4 16V  
**Engine code:** 169A4.000 - 199A4.000 - 350A1.000

CODE	
FG 192/FT12	



CODE	DESCRIPTION	
FG 192/FT12-1	Tensioning tool	
FG 192/FT12-2	Camshaft locking tool	
FG 192/FT12-3	Crankshaft timing tool	
FG 192/FT12-4	Camshaft aligning tool	
FG 192/FT12-5	Camshaft locking tool	
FG 192/FT12-6	Cylinder head cover alignment tool	



## Timing tool set FIAT 1.3 Multijet, 1.3 CDTi, 1.3 DDiS



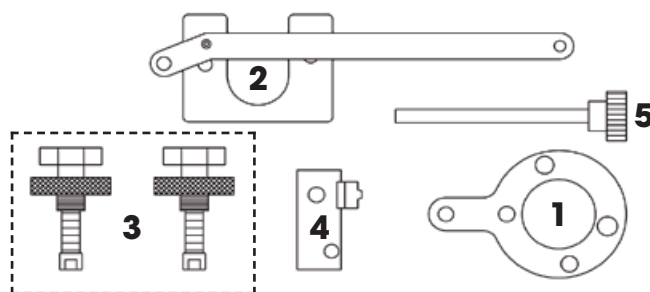
### Models:

FIAT: Panda, Punto, Idea, Doblo. LANCIA: Musa, Ypsilon  
OPEL: Agila, Corsa, Combo, Tigra, Meriva, Astra  
SUZUKI: Ignis, Swift

**Engine:** 1.3 Multijet, 1.3 CDTi, 1.3 DDiS

**Engine code:** 188A8.000; 188A9.000; 199A2.000;  
199A3.000; 169A1.000; 223A9.000; Z13DT; Z13 DTH

CODE	
FG 192/FT6	



CODE	DESCRIPTION	
FG 192/FT6-1	Crankshaft timing tool	
FG 192/FT6-2	Tensioner Tool	
FG 192/FT6-3	Camshaft locking tool (2 pcs)	
FG 192/FT6-4	Flywheel locking tool	
FG 192/FT6-5	Pin (8 mm)	



## Attrezzo bloccaggio mozzo puleggia albero motore e bloccaggio albero a camme per nuovi motori FIAT Multijet



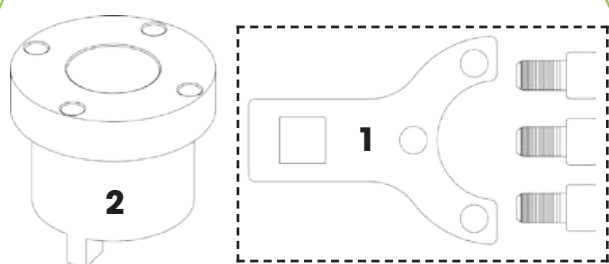
### Modelli:

Punto; Grande Punto; Punto Evo; Fiorino; Panda/Panda  
Classic; 500/500C; Doblò; Doblò Cargo; Qubo

**Cilindrata:** 1.3 JTDM; 1.3 JTDM; 1.3 MultiJet 75;  
1.3 MultiJet 85; 1.3 MultiJet 90; 1.3 MultiJet 95

**CODE motore:** 199A3.000; 199B1.000; 199B4.000;  
169A1.000; 223A9.000; 263A2.000

CODE	
FG 192/FT6A	



CODE	DESCRIZIONE	
FG 192/FT6A-1	Attrezzo bloccaggio puleggia albero motore	
FG 192/FT6A-2	Attrezzo bloccaggio albero a camme	



## Timing tool set FIAT, ALFA ROMEO, LANCIA, OPEL 1.6, 1.9, 2.0, 2.4 JTD Multijet



### Models:

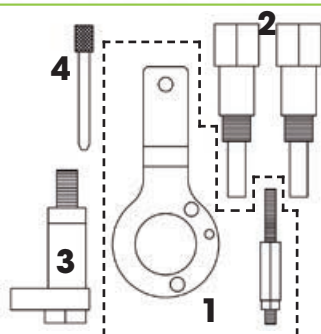
ALFA ROMEO: Mito; Giulietta; 145; 147; 156; 166  
 FIAT: Bravo; Cromia; Grande Punto; Punto EVO; Stilo;  
 Doblo'/Doblo' Cargo; Stilo; Multipla; Marea  
 LANCIA: Delta; Lybra  
 OPEL: Zafira; Vectra; Astra; Insigna  
 SAAB: 9-3

**Engine:** 1.6, 1.9, 2.0, 2.4 JTD

**Engine code:** 192A5.000; 937A5.000; 192B1.000;  
 939A2.000; 250A1.000; 182B9.000; 937A2.000; 937A3.000  
 939B3.000; 955A4.000; Z19DT; Z19DTH; Z19DTJ; Z19DTL;  
 A19DTR

CODE	
FG 192/FT6B	

CODE	DESCRIPTION
FG 192/FT6B-1	Crankshaft timing tool
FG 192/FT6B-2	Camshaft locking tool (2 pcs)
FG 192/FT6B-3	Flywheel locking tool
FG 192/FT6B-4	Pin



## Timing tool set FIAT 2.3JTD



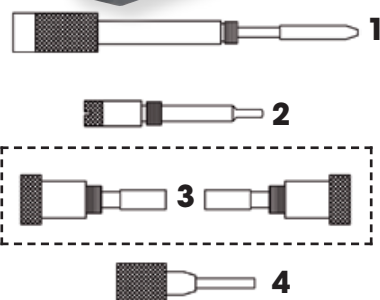
**Models:** FIAT DUCATO, IVECO DAILY

**Engine:** 2.3D JTD, 2.3D-3.0D Multijet, 2.3D HPI; 3.0 HPI

**Engine code:** F1AE0481C; F1AE0481A; F1AE0481B;  
 F1AE0481H; F1AE0481F; F1AE0481G; F1AE0481R; F1AE0481FA;  
 F1AE0481HA; F1AE0481UA; F1AE0481VA; F1AE0481D; F1A-  
 E0481N; F1AE0481E; F1CE3481N; F1CE3481M; F1CE0481D;  
 F1CE3481E; F1CE3481A; F1CE3481B; F1CE3481H; F1CE3481F

CODE	
FG 192/FT5C	

CODE	DESCRIPTION
FG 192/FT5C-1	Crankshaft timing pin
FG 192/FT5C-2	Crankshaft timing pin
FG 192/FT5C-3	Camshaft timing pins
FG 192/FT5C-4	Camshaft sprocket aligning pin





## Timing tool set FIAT TWINAIR

**Models:** 500/500C (07-); Panda (2012)

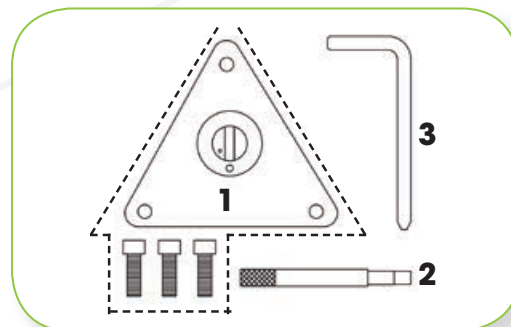
**Engine:** 900 Twinair Turbo

**Engine code:** 312A2.000



CODE	
FG 192/FT6C	

CODE	DESCRIPTION	
FG 192/FT6C-1	Camshaft locking tool	
FG 192/FT6C-2	Crankshaft pulley locking tool	
FG 192/FT6C-3	Flywheel/drive plate locking tool	



## Balancer shaft alignment tool for Fiat Twinair

**Models:** Ypsilon, 500, 500C, 500L, Punto, Panda, Mito

**Engine:** 900 Twinair, 900 Twinair Turbo Turbo

**Engine code:** 312A5.000, 312A2.000, 199B6.000, 312A7.000

CODE	
FG 192/FT6D	



## Timing tool set MULTIAIR

**Models:**

Punto EVO, Punto EVO Abarth, Bravo, 500 Alfa MITO, Giulietta

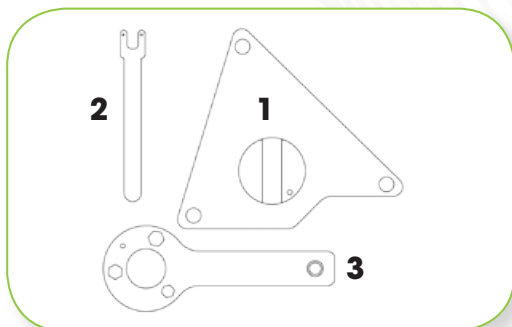
**Engine:** 1.4 Multiair 16V

**Engine code:** 940A2.000, 955A6.000,

955A2.000, 955A7.000, 955A8.000, 198A7.000



CODE	
FG 192/FT10	



CODE	DESCRIPTION	
FG 192/FT10-1	Camshaft timing tool	
FG 192/FT10-2	Crankshaft locking tool	
FG 192/FT10-3	Tensioner pulley adjusting tool	



## Timing tool set FIAT TWINAIR e MULTIAIR



**Models:** 500/500C (07-); Panda (2012), Punto EVO, Punto EVO Abarth, Bravo, 500, Alfa MITO, Giulietta

**Engine:** 900 Twinair Turbo, 1.4 Multiair 16V  
**Engine code:** 312A2.000, 940A2.000, 955A6.000, 955A2.000, 955A7.000, 955A8.000, 198A7.000

CODE	
FG 192/FT16	

## Spring compression tool for electro-hydraulic valve control - MULTIAIR and MULTIAIR TURBO

**Models:** Punto EVO, Punto EVO Abarth, Bravo, 500 Alfa MITO, Giulietta, Lancia Delta

**Engine:** 1.4 Multiair 16V  
**Engine code:** 940A2.000, 955A6.000, 955A2.000, 955A7.000, 955A8.000, 198A7.000

CODE	
FG 192/FT10C	



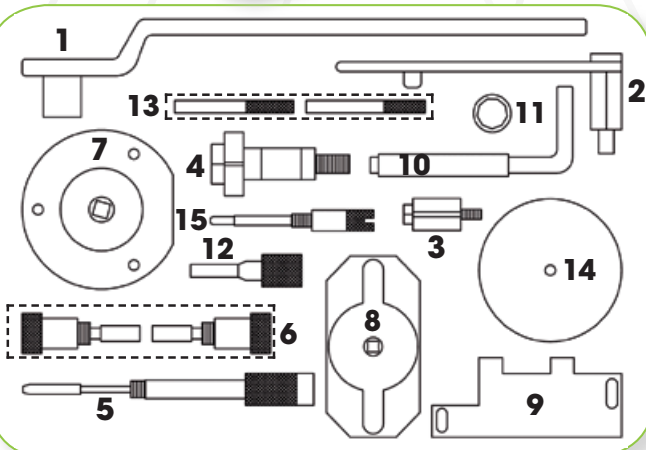
## Timing tool set FIAT, IVECO, FORD, PEUGEOT, CITROEN

**Models:** FIAT: Ducato, IVECO: Daily, CITROEN: Relay/Jumper III  
PEUGEOT: Boxer III, FORD: Transit Van

**Engine:** 2.2 - 2.3 - 3.0 JTD MJ (catena o cinghia)  
**Engine code:** 4HU(P22DTE); 4HV(P22DTE); P8FA; P8FB; QVFA; QWFA; SRFA; SRFB; SRFC; SRFD; SRFE; PGFA; PGFB; F1AE0481A/B/C/D/E/F/FA/G/H/HA/N/R/UA/VA F1CE3481/A/B/E/F/H/M

CODE	
FG 192/FT17	

CODE	DESCRIPTION
FG 192/FT17-1	Crankshaft holding/turning tool (2.2 MJ)
FG 192/FT17-2	Crankshaft alignment tool (2.2 MJ)
FG 192/FT17-3	Flywheel Locking Tool (2.3 MJ)
FG 192/FT17-4	Flywheel Locking Tool (3.0 MJ)
FG 192/FT17-5	Crankshaft timing pin (2.3 - 3.0 MJ)
FG 192/FT17-6	Camshaft timing pins (2x) (2.3 - 3.0 MJ)
FG 192/FT17-7	Extract/introduce tool for oil case (distribution) (2.2 MJ)
FG 192/FT17-8	Crankshaft holding/turning tool (3.0 MJ)
FG 192/FT17-9	Setting plate (Oil Pump) (2.2 MJ)
FG 192/FT17-10	Crankshaft position (CKP) sensor alignment tool (2.2 MJ)
FG 192/FT17-11	Water sensor installation socket (2.2 MJ)
FG 192/FT17-12	Camshaft sprocket aligning pin (2.3 MJ)
FG 192/FT17-13	Camshaft sprocket timing pin (2x) (2.2 MJ)
FG 192/FT17-14	Timing cover centring plate (2.2 MJ)
FG 192/FT17-15	Crankshaft timing pin (2.3 MJ)







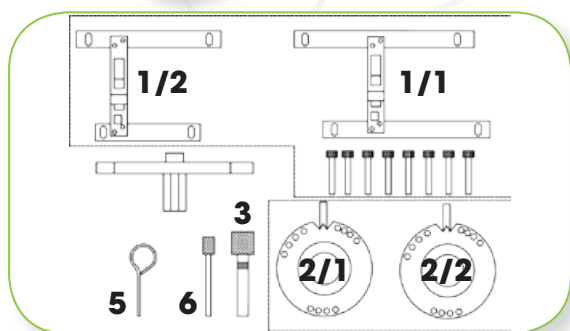
## Timing tool set for FORD 1.0 ECOBOOST



**Engine:** B-MAX; Fiesta; C-MAX; Grand C-MAX; Focus; EcoSport;  
**Engine:** 1.0 EcoBoost; 1.0 SCTi EcoBoost

**Engine code:** SFJA; SFJB; M1DA; M2DA; M1JC;  
 M1JE; P4JA; P4JB

CODE	
FG 192/FO16	



CODE	DESCRIPTION	
FG 192/FO16-1/1	Camshaft locking tool - big	
FG 192/FO16-1/2	Camshaft locking tool - small	
FG 192/FO16-1/3	Screws for FG 192/FO16-1 (8 pieces)	
FG 192/FO16-2/1	Camshaft adjuster alignment tool - inlet	
FG 192/FO16-2/2	Camshaft adjuster alignment tool - exhaust	
FG 192/FO16-3	Crankshaft timing tool	
FG 192/FO16-4	Flywheel locking tool	
FG 192/FO16-5	Tensioner pulley locking pin	
FG 192/FO16-6	Crankshaft pulley alignment tool	



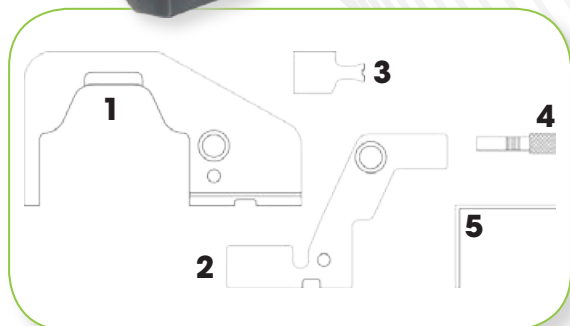
## Timing tool set for FORD 2.0 ECOBOOST



**Engine:** Focus, Mondeo, Galaxy, S-Max  
**Engine:** 2,0 Ti-VCT; 2,0 SCTi EcoBoost; 2,0 EcoBoost

**Engine code:** MGDA; TNBA; TNBB; TNWA; TNWB; TPBA;  
 TPWA; XQDA; R9CB; R9CF; R9CH; TNCC; TNCD; TNCF

CODE	
FG 192/FO16B	



CODE	DESCRIPTION	
FG 192/FO16B-1	Camshaft alignment tool (>01/05/11)	
FG 192/FO16B-2	Camshaft alignment tool (02/05/11>)	
FG 192/FO16B-3	Crankshaft position (CKP) sensor alignment tool	
FG 192/FO16B-4	Crankshaft timing	
FG 192/FO16B-5	2 mm tensioning pin	

## Timing tool set for FORD 1.4/1.6 TDCi, VOLVO 1.6/2.0, CITROËN 1.6/2.0/2.2 HDi, FIAT 1.6/2.0/2.2 Multijet

**Ford:** C-MAX, Fiesta, Focus, Focus, Focus C-MAX

**CITROËN:** Dispatch/Jumpy III, C4, C4 Picasso/Grand Picasso, C5 II, C5 III, C6, C8

**FIAT:** Scudo

**VOLVO:** C30, C70, S40, S80, V50, V70

**Engine:**

- G8DA, G8DB, G8DC, G8DD, G8DE, G8DF, HHDA, HHDB, F6JA, F6JB, F6JC, HHJA, HHJB, HHJC, HHJD: HHJE, HHJF

- 9HU (DV6UTED4), 4HP (DW12BTED4), 4HR (DW12BTED4), 4HR (DW12BTED4), 4HS (DW12BTED4), 4HT (DW12BTED4), RHK (DW10UTED4), RHR (DW10BTED4)

- 9H07, 9HU (DV6UTED4), RHK (DW10UTED4), RHR DW10BTED4)

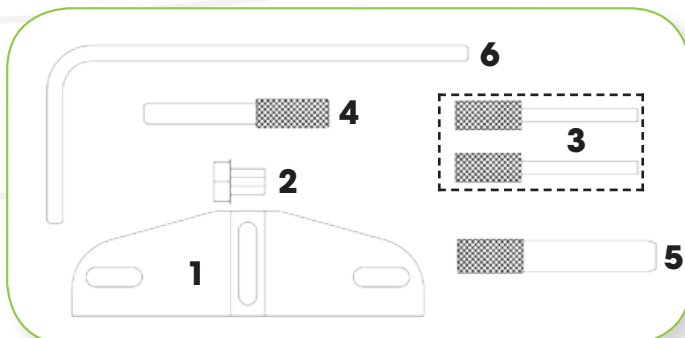
- D4164T, D4164T DRIVE, D4204T, D4204T2

**Engine code:**

-1.4, 1.6 TDCi /1.6 HDi, 2.0 HDi, 2.2 HDi / 1.6, 2.0, 2.2 Multijet / 1.6, 2.0



CODE	
FG 192/FO6	



CODE	DESCRIPTION	
FG 192/FO6-1	Flywheel locking tool (base plate)	
FG 192/FO6-2	Flywheel locking tool (adaptor)	
FG 192/FO6-3	Crankshaft alignment tool (Ø5 mm)	
FG 192/FO6-4	Camshaft sprocket locking tool (Ø8 mm)	
FG 192/FO6-5	Flywheel locking tool (Ø11.6 mm)	
FG 192/FO6-6	Flywheel timing pin	



## Timing tool set FORD

### 1.25/1.4/1.6/1.6 Ti-VCT (petrol), 2.0 TDCI

**Models:**

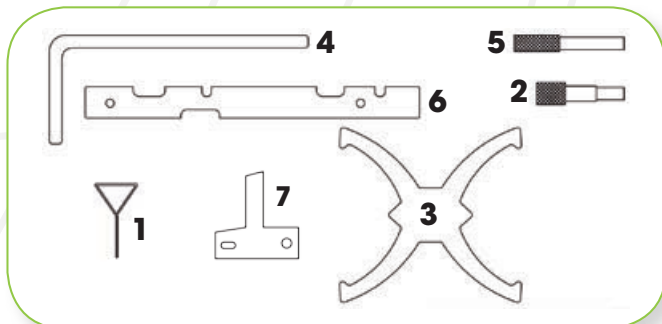
FORD: C-Max; Gran C-Max; Focus; Fiesta; Mondeo; Kuga; Galaxy; Fusion; S-Max

VOLVO: S60; S80; V70

**Engine:** 1.6 / 1.6 Ti-VCT (benzina); 2.0 TDCI

**Engine code:** HXDA; HXDB; SIDA; IQDA; IQDB; PNDA; XTDA; U5JA; RHBA; G6DA; G6DB; G6DC; G6DD; G6DE; G6DF; IXDA; TXDA; TXDB; TYDA; UKDA; UKDB; UFWA; F8JA; F8JB; FUJA; FUJB; M7JA; M7JB; SNJA; SNJB; STJA; STJB; ASDA; ASDB; FXJA; FXJB; FXJC; SPJA; SPJC; SPJD; FYJA; FYJB; FYJC; HWDA; HWDB; SHDA; SHDB; SHDC; JQDA; JQMA; JQMB; JTMA; IQJA; JQDA; JTWA; JTWB; KGBA; B4164T; B4164T3; B4164T2

CODE	
FG 192/FO4	



CODE	DESCRIPTION	
FG 192/FO4-1	Tensioner locking pin	
FG 192/FO4-2	Tensioner locking pin	
FG 192/FO4-3	Camshaft sprocket locking tool	
FG 192/FO4-4	Flywheel timing pin	
FG 192/FO4-5	Camshaft sprocket locking tool	
FG 192/FO4-6	Camshaft setting bar	
FG 192/FO4-7	Crankshaft pulley alignment tool	

## Camshaft setting bar

### - FORD 1.6 ECOBOOST

**Models:**

B-Max; C-Max; Fiesta; Focus; Galaxy; Gran C-Max; Kuga; Mondeo; S-Max; Tourneo Connect; Transit Connect

**Engine:** 1.6 ECOBOOST

**Engine code:** JQMA; JQMB; JTMA;

IQJA; JQDA; IQDA; JTWA; JTWB; KGBA

CODE	
FG 192/FO4A	





## Timing tool set FORD Transit 2.2 TDCI

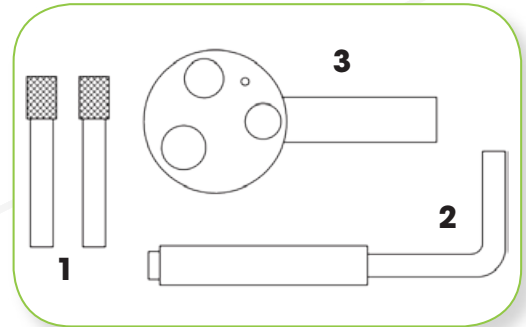
**Models:** Ford Transit

**Engine:** 2.2 TDCI

**Motor code:** CYFA; CYFB; DRFA; USRA; SRFA; SRFB; SRFC; SRFD; SRFE; UHFA; QVFA; QWFA; PGFA; PGFB

CODE	
FG 192/FO7	

**NEW**



CODE	DESCRIPTION	
FG 192/FO7-1	Camshaft timing pins (6mm)	
FG 192/FO7-2	Crankshaft alignment pin	
FG 192/FO7-3	Crankshaft sprocket locking tool	



**NEW**

## Crankshaft holding tool for FORD Transit 2.2 TDCI

CODE	
FG 192/FO7B	



## Timing tool set FORD/MAZDA

**Models:**

**FORD:** C-Max; Courier; Fiesta; Focus; Focus C-Max; Galaxy; Grand C-Max; S-Max; Mondeo; Tourneo; Transit

**MAZDA:** 121

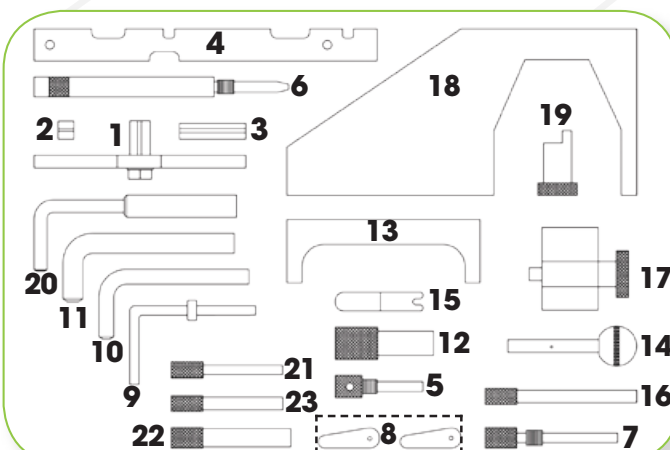
**Engine:**

1.25, 1.4, 1.6, 1.8, 2.0, 2.9, 1.4D, 1.6D, 1.8D, 1.9D, 2.0D, 1.8D Turbo, 1.8 XR2i, 1.8 TDDi, 1.8D TDCi, 1.4D TDCi, 1.6 TDCi, 1.9 TDI, 1.9D TDI PD, 2.0D TDCi, 2.0 SR150, 2.5 DI/Turbo/TCI

**Engine code:**

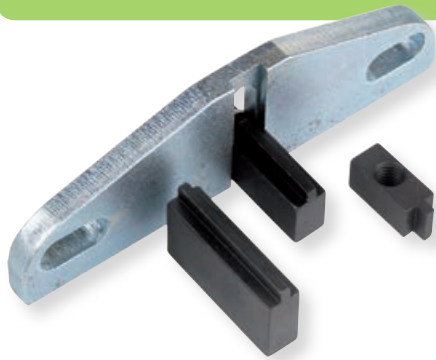
BHPA; KKDA; HCPA; TZJA; T1DA; C9DC; RTN/RTQ; RTP; DHA; C9DC; UBJA; C9DA/B; FFDA; F9DA/B; BHDA/B; QYWA; FFWA; ANU; UBJA; CFBA; R3PA; HCPA; HCPB; R2PA; P9PA; P7PA; R3PA; RWPA; RWPC; BHPA; 4CA; 4CB; 4FD; 4AB; 4BB; 4BA; 4AE; 4GA; DHA

CODE	
FG 192/FO24	



CODE	DESCRIPTION	
FG 192/FO24-1	Flywheel locking tool	
FG 192/FO24-2	Adaptor for flywheel locking tool	
FG 192/FO24-3	Adaptor for flywheel locking tool	
FG 192/FO24-4	Camshaft locking bar	
FG 192/FO24-5	Crankshaft timing pin (65x7,5mm)	
FG 192/FO24-6	Crankshaft timing pin	
FG 192/FO24-7	Crankshaft timing pin (Ø6mm)	
FG 192/FO24-8	Thickness	
FG 192/FO24-9	Camshaft timing pin (Ø12,7mm)	
FG 192/FO24-10	Camshaft timing pin	
FG 192/FO24-11	Flywheel timing pin	
FG 192/FO24-12	Locking pin for gear of Injection pump	
FG 192/FO24-13	Camshaft locking bar	
FG 192/FO24-14	Injection pump locking pin	
FG 192/FO24-15	Two pins wrench	
FG 192/FO24-16	Pin	
FG 192/FO24-17	Locking pin for gear of crankshaft	
FG 192/FO24-18	Camshaft alignment tool	
FG 192/FO24-19	Crankshaft tool	
FG 192/FO24-20	Flywheel locking tool	
FG 192/FO24-21	Crankshaft alignment tool	
FG 192/FO24-22	Flywheel locking tool	
FG 192/FO24-23	Camshaft locking tool	

# AUTOMOTIVE TOOLS



## Flywheel locking tool for FORD

Diesel, Petrol - Belt and Chain

CODE	
FG 192/FO3	



## Timing tool set FORD ZETEC and DURATEC

**Models:**

**FORD:** Fiesta, Fusion, Courier, Escort, Focu, Puma, Mondeo, Transit, Connect, CougarOrion, Kombi, Galaxy

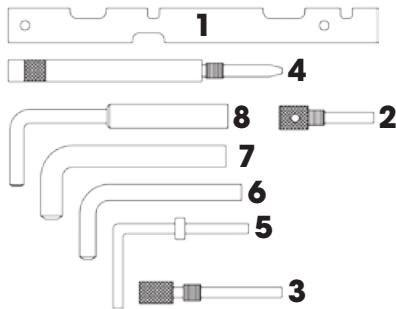
**MAZDA:** 121 benzina

**VOLVO:** S40, V50 benzina

**Engine:** 1.2,2.4,1.6,1.6 16V, 1.7 16 cinghia, 1.8D, 1.8TD, 1.8 e 2.0 16V cinghia e catena

**Motor code:** FUJA, FUJB, FXJA, FXJB, FYJA, FYJB, F8JA, F8JB, M7JA, M7JB, DHA, DHB, DHC, DHD, DHE, DHF, DHG, FHA, FHE, LIT, L1V, L1E, L1G, L1H, L1Y, L1K, RDA, RDB, RKC, RQB, RQC, FXDA/C, FXDB/D, FYDA/C, FYDB/D, FYDH, HWDA, RFN, RTJ, RTK, RVA, RKD

CODE	
FG 192/FO8	



CODE	DESCRIPTION	
FG 192/FO8-1	Camshaft locking bar	
FG 192/FO8-2	Cranckshaft timing pin (40x5mm)	
FG 192/FO8-3	Cranckshaft timing pin (65x7,5mm)	
FG 192/FO8-4	Cranckshaft timing pin	
FG 192/FO8-5	Camshaft timing pin (Ø6mm)	
FG 192/FO8-6	Camshaft timing pin (Ø9,5mm)	
FG 192/FO8-7	Camshaft timing pin (Ø12,7mm)	
FG 192/FO8-8	Flywheel locking tool	



## Timing tool set FORD 2.0,2.2, 2.4, DURATORQ 16V

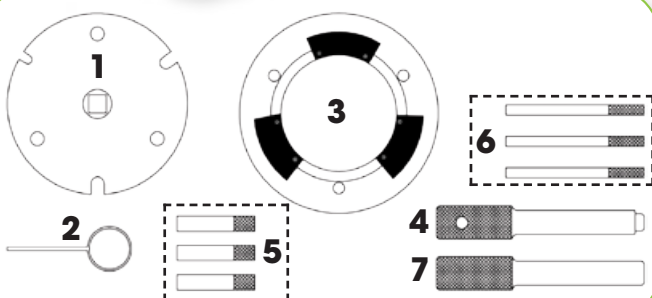
**Models:**

Mondeo, Transit, Focus

**Engine:** 2.0, 2.2 & 2.4 DURATORQ 16V

**Engine code:** FMBA/B, HJBA, HJBB, HJBC, HJBE, N7BA, N7BB, SDBA, D5BA, D6BA, QJBA, QJBB, QJBC, ABFA, D3FA, F3FA, FIFA, D2FA, D4FA, DOFA, F4FA, FXFA, H9FA

CODE	
FG 192/FO11	



CODE	DESCRIPTION	
FG 192/FO11-1	Plate for disassembly / assembly of fuel pump cover	
FG 192/FO11-2	Tensioner pin ø 1.9	
FG 192/FO11-3	Locking plate for gear of Injection Fuel pump	
FG 192/FO11-4	Flywheel locking pin ø 14 ø 10	
FG 192/FO11-5	Fuel pump locking Pins	
FG 192/FO11-6	Sprockets camshafts locking pins ø 6	
FG 192/FO11-7	Flywheel locking pin ø 14	



### Timing tool set JAGUAR e LAND ROVER 3.2, 3.5, 4.0, 4.2, 4.4 V8



**Models:**

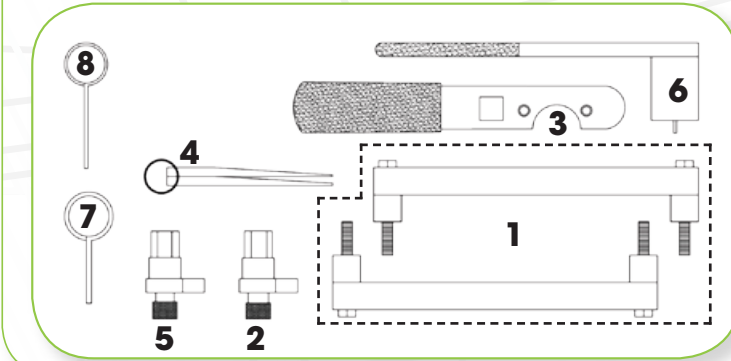
JAGUAR: XJ8, XJ8 Sport, Sovereign, XJR V8, XKR, S-Type, XK8  
 LAND ROVER: Range Rover Supercharged, Discovery 3, Range Rover

DAIMLER: V8, Super V8

**Engine:** 3.2, 3.5, 4.0, 4.2

**Engine code:** AC, KB, KC, RB, BC, CC, CE, LB, LC, MA, MB, NB, NC, 1B, 2B, 3B, 1G, 5G, 9G, HB, HG, SB, TB, PC, 428PS, 448PN, BC, DC

CODE	
FG 192/LR9	



CODE	DESCRIPTION	
FG 192/LR9-1	Camshafts setting/locking tool	
FG 192/LR9-2	Crankshaft positioning tool	
FG 192/LR9-3	Timing chain tensioning tool	
FG 192/LR9-4	Primary chain wedges	
FG 192/LR9-5	Crankshaft positioning tool	
FG 192/LR9-6	Camshaft adjuster holding / turning tool	
FG 192/LR9-7	Ø 3 mm Pin	
FG 192/LR9-8	Ø 0.8 mm Pin	



### Timing tool set JAGUAR e LAND ROVER 2.0 GTDI



**Models:**

JAGUAR: XE, XJ, XF  
 LAND ROVER: Discovery Sport, Freelander 2  
 RANGE ROVER: Evoque

**Engine:** 2.0 GTDI

**Engine code:** 204PT

CODE	
FG 192/LR8	

**NEW**



### Crankshaft pulley removal/installation set for JAGUAR & LAND ROVER V8

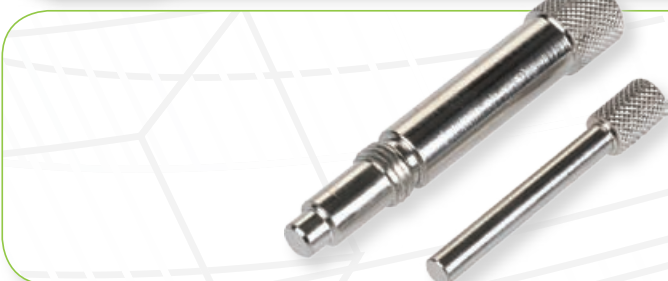
**Models:**

JAGUAR: XJ8; XJ8 Sport; Sovereign; XJR V8; XKR; S-Type; XK8  
 LAND ROVER: Range Rover Supercharged; Discovery 3; Range Rover

**Engine:** 3.2; 3.5; 4.0; 4.2

**Engine code:** AC, KB, KC, RB, BC, CC, CE, LB, LC, MA, MB, NB, NC, 1B, 2B, 3B, 1G, 5G, 9G, HB, HG, SB, TB, PC, 428PS, 448PN, BC, DC

CODE	
FG 192/LR6	



### Timing tool set Land Rover TD5

**Models:** LAND ROVER: Defender, Discovery II

**Engine:** 2.5 Diesel

**Engine code:** 10P, 15P, 16P

CODE	
FG 192/LR2	





## Timing tool set BMW Mini One, Cooper, Cooper S 1.6 (R50/R52/R53)



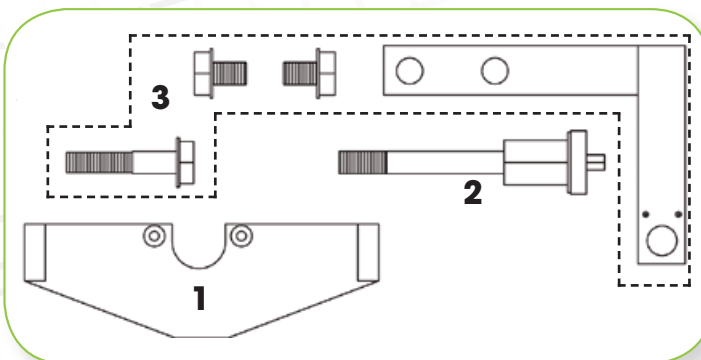
### Models:

Mini Cooper 2001-09; Mini Cooper S 2002-2004;  
Mini One 2001-2009

**Engine:** 1.6 benzina

**Engine code:** W10B16BA; W11B16AA; W10B16AA

CODE	
FG 192/MI6	



CODE	DESCRIPTION	
FG 192/MI6-1	Camshaft sprocket holding tool	
FG 192/MI6-2	Engine support bracket	
FG 192/MI6-3	Tensioner assembly tool	



## Timing tool set for MINI, PSA 1.4, 1.6 N12

CODE	
FG 192/MI10B	

### Models:

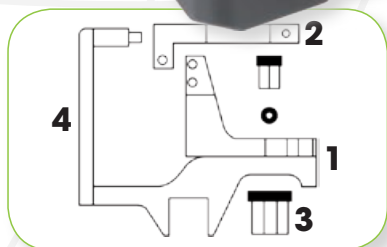
*Mini:* Clubman

*Citroen:* C3 III; C4 II; DS3/DS3 Cabrio; Berlingo III; C3 Picasso;  
C4 Picasso/Grand Picasso II; C5 III (2010 - 2013); DS4

*Peugeot:* 308; 207; 208; 3008; 308; 308 CC; 5008; 508; Partner III

**Engine:** 1.4 VTI, 1.6 VTI

**Engine code:** N12 B14AB; N12 B16A; 8FR(EP3C); 5FS (EP6C); 5FW (EP6); EP3C (8FR); EP6C (5FS); EP3 (8FS)



CODE	DESCRIPTION	
FG 192/MI10B-1	Inlet camshaft locking tool	
FG 192/MI10B-2	Exhaust camshaft locking tool	
FG 192/MI10B-3	Screw	
FG 192/MI10B-4	Crankshaft timing pin	



**NEW**



## Timing tool set for MINI, PSA 1.4, 1.6 16V N12&N14



### Models:

*Mini:* Mini One, Mini Couper, Mini Couper S, Mini Clubman

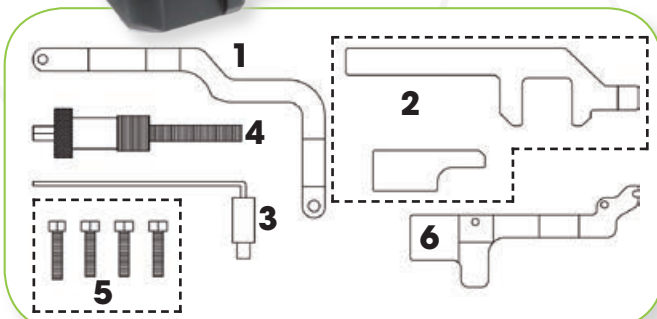
*Citroen:* C4, C4 Picasso

*Peugeot:* 207, 308

**Engine:** 1.4, 1.6 16V

**Engine code:** R55, R56, EP3, EP6, EP6DT, DTS

CODE	
FG 192/MI10	



CODE	DESCRIPTION	
FG 192/MI10-1	Inlet camshaft alignment tool (N12)	
FG 192/MI10-2	Inlet camshaft alignment tool (N14)	
FG 192/MI10-3	Crankshaft timing pin	
FG 192/MI10-4	Timing chain pre-tensioning tool	
FG 192/MI10-5	Screw	
FG 192/MI10-6	Exhaust camshaft alignment tool (N12 & N14 motors)	



### Timing tool set motori MW MINI 1.6 Diesel W16D

**Models:**

MINI: Clubman (Cooper D) (R55), Cooper D (R56/57), One D (R56/57)  
 CITROEN: Berlingo III, Berlingo/Berlingo First I/II, C2, C3 I/II/First/Classic, C3 Picasso, C4, C4 Picasso/Grand Picasso, C5 II, C5 III, Xsara Picasso, C4 Aircross, C4 II, DS3/DS3 Cabrio, DS4, DS5, Dispatch/Jumpy III  
 PEUGEOT: 1007, 206, 206 CC, 207, 207 CC, 3008, 307, 308, 308 CC, 407, 5008, Partner III, Partner/Partner Origin/Ranch I/II, Expert III

**Engine:** 1.6 D, 1.6 Hdi, 1.6 e-HDi Airdream, 1.6 e-Hdi

**Engine code:** W16 D16 (9HZ), W16 D16U0

CODE	
FG 192/MI9	



### Timing tool set for 1.8/2.1 MERCEDES-BENZ CDI Diesel -M651 from 2012

**Models:**

Classe A, Classe B, Classe C, Classe E, CLS, Sprinter, Viano, Vito

**Engine:** 1.8 CDI, 2.1 CDI

**Engine code:** M651 dal 2012 in poi

CODE	
FG 192/MB3C	

**NEW**



### Timing tool set for 1.8/2.1 MERCEDES-BENZ CDI Diesel -M651

**Models:**

Classe-A, Classe-B, Classe-C, Classe-C Coupe, CLA, CLS, Classe E, Classe E, Coupe/Cabriolet, GLK, Classe-M, Classe-S, SLK, Sprinter, Viano, Vito

**Engine:** 1.8 CDI, 2.1 CDI

**CODE motore:** 651.901, 651.910, 651.911, 651.912, 651.913, 651.916, 651.922, 651.924, 651.925, 651.930, 651.940, 651.955, 651.956, 651.957, 651.960, 651.961, 651.980

CODE	
FG 192/MB3	

### Balance shaft locking tool for MERCEDES-BENZ 1.8/2.1 CDI Diesel (M651)

**Models:**

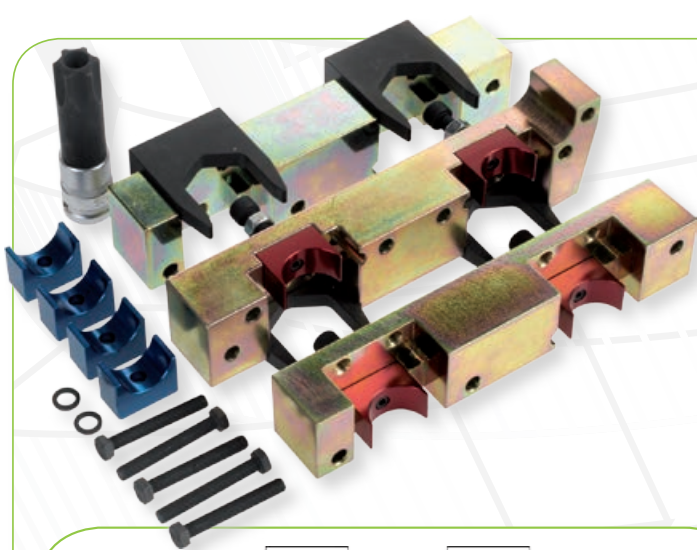
Classe-A, Classe-B, Classe-C, Classe-C Coupe, CLA, CLS, Classe E, Classe E, Coupe/Cabriolet, GLK, Classe-M, Classe-S, SLK, Sprinter, Viano, Vito

**Engine:** 1.8 CDI, 2.1 CDI

**CODE motore:** 651.901, 651.910, 651.911, 651.912, 651.913, 651.916, 651.922, 651.924, 651.925, 651.930, 651.940, 651.955, 651.956, 651.957, 651.960, 651.961, 651.980



CODE	
FG 192/MB3A	



## Camshaft clamping tools - MERCEDES-BENZ 1.6 / 2.0 petrol engines



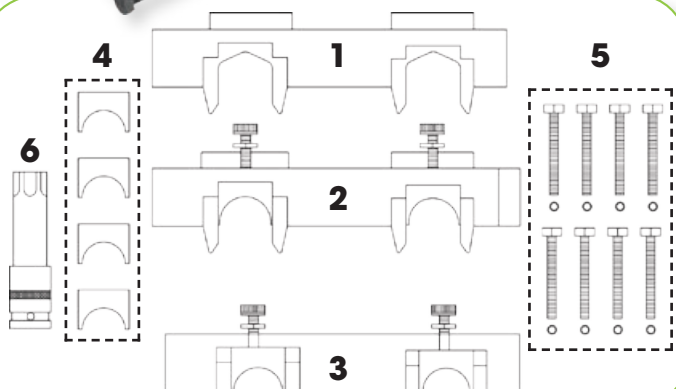
### Models:

Classe A, Classe B, CLA, Classe C, Classe C Coupe, Classe E, GLK

**Engine:** 1.6, 2.0 Benzina

**Engine code:** 270.910, 270.920, 133.980, 274.910, 274.920

CODE	
FG 192/MB24	



CODE	DESCRIPTION	
FG 192/MB24-1	Gruppo bloccaggio albero a camme (estremità catena) (dal 2009 al 2014)	
FG 192/MB24-2	Gruppo bloccaggio albero a camme (estremità catena) (dal 2014 -)	
FG 192/MB24-3	Gruppo bloccaggio albero a camme (estremità scatola del cambio)	
FG 192/MB24-4	Blocchi per albero a camme di diametro ridotto	
FG 192/MB24-5	Viti per gruppo di bloccaggio albero a camme	
FG 192/MB24-6	Chiave a bussola di sicurezza	



## Timing tool set for Mercedes-Benz 1.8

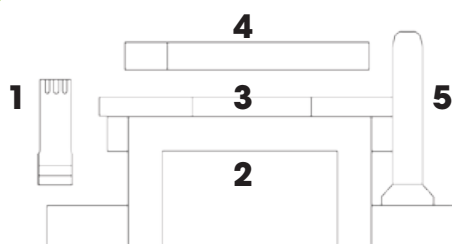
### Models:

Classe C; Classe C Coupe; Classe CLC; CLK;  
Classe E; SLK; Sprinter

**Engine:** 1.8 Benzina

**Engine code:** 271.820; 271.860; 271.861; 271.921; 271.940;  
271.941; 271.942; 271.944; 271.946; 271.948; 271.950; 271.951;  
271.952; 271.954; 271.955; 271.956; 271.957; 271.958

CODE	
FG 192/MB5	



CODE	DESCRIPTION	
FG 192/MB5-1	Socket wrench	
FG 192/MB5-2	Timing chain to camshaft sprocket holder	
FG 192/MB5-3	Camshaft holding tool	
FG 192/MB5-4	Tensioner rail wedge	
FG 192/MB5-5	Chain tensioner drift	



## Timing tool set for MERCEDES-BENZ M642

### Models:

Classe C; CLK; CLS; CLASSE E; CLASSE GL; GLK;  
CLASSE M; CLASSE R; CLASSE S; SPINTER; VITO; VIANO



**Engine:** 3.0 Diesel

**Engine code:** M642 (642,82; 642,822; 642,83; 642,835;  
642,836; 642,838; 642,992; ...)

CODE	
FG 192/MB10	

**NEW**





### Timing tool set for 2.1, 2.2, 2.7, 3.2 CDI/CRD Mercedes-Benz e Chrysler

CODE	
FG 192/MB6	

#### Models:

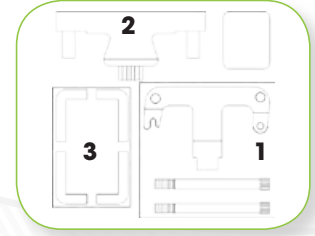
*Mercedes-Benz:* Classe-C; Classe-CLC; CLK; Classe-E; Viano; Vito; Sprinter; Classe-M; Classe-S

*Chrysler:* PT Cruiser

**Engine:** 2.1 CDI; 2.2 CDI; 2.7 CDI; 3.2 CDI; 2.2 CRD

**Engine code:** 611.960; 611.961; 611.962; 611.987; 611.980; 611.981; 612.961; 612.962; 612.963; 612.965; 612.967; 613.960; 613.961; 646.811; 646.812; 646.820; 646.821; 646.951; 646.961; 646.962; 646.963; 646.980; 646.981; 646.982; 646.984; 646.985; 646.986; 646.989; 646.990; 647.961; 648.961; 648.960; EDJ

CODE	DESCRIPTION
FG 192/MB6-1	Flywheel/drive plate locking tool with M6x90 mm bolts
FG 192/MB6-2	Flywheel/drive plate locking tool (starter motor aperture)
FG 192/MB6-3	Camshaft timing pins (2 pieces)



### Timing tool set for CHRYSLER, JEEP, DODGE

#### Models:

*CHRYSLER:* Grand Voyager

*JEEP:* Cherokee, Wrangler

*DODGE:* Nitro

**Engine:** 2.8 Diesel

**Engine code:** VM64C, ENS, ENS (51C), 49C, 50C, ENS VM10D

CODE	
FG 192/CH3	



### Timing tool set for JEEP and CHRYSLER 2.5 CRD / 2.8 CRD



#### Models:

*JEEP:* Cherokee. LDV: Maxus

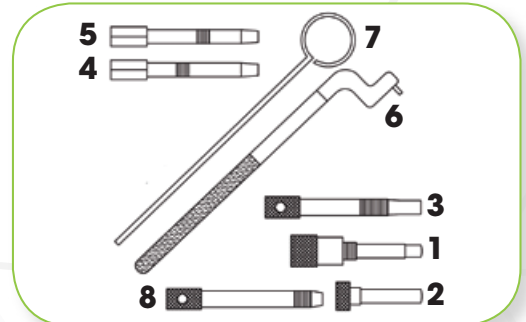
*CHRYSLER:* Grand Voyager, Voyager.

**Engine:** 2.5CRD, 2.8CRD

**Engine code:** R2516C, R2816C5.05A, R2516K, R2816K4, R2516L VM39/40B, R2516L7 VM57/58C

CODE	
FG 192/CH8	

CODE	DESCRIPTION
FG 192/CH8-1	Inlet camshaft locking pin
FG 192/CH8-2	Exhaust camshaft locking pin
FG 192/CH8-3	Flywheel locking pin (Voyager/Grand Voyager 2.5/2.8 and LVD Maxus)
FG 192/CH8-4	Flywheel locking pin (Jeep Cherokee 2.8)
FG 192/CH8-5	Flywheel locking pin (Jeep Cherokee 2.5)
FG 192/CH8-6	Tensioner pulley tool
FG 192/CH8-7	Balancer shaft locking pin
FG 192/CH8-8	Flywheel locking pin (Balancer Shaft)



### Timing tool set for JEEP GRAND CHEROKEE 3.0 CRD (Multijet (from 2011))

#### Models:

*JEEP:* Grand Cherokee

**Engine:** 3.0 CRD/Multijet

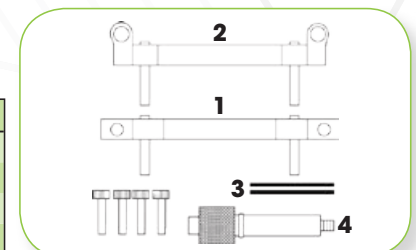
**Engine code:**

EXF VM23D; EXF VM44D; EXF

CODE	
FG 192/JE9	



CODE	DESCRIPTION
FG 192/JE9-1	Camshaft alignment tool (RH bank)
FG 192/JE9-2	Camshaft alignment tool (LH bank)
FG 192/JE9-3	Tensioner locking pin (2 pcs)
FG 192/JE9-4	Crankshaft timing pin



**NEW**



## Timing tool set OPEL 1.0, 1.2, 1.4 - CHAIN



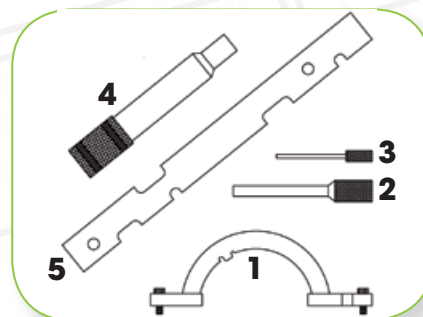
### Models:

Corsa; Combo; Agila; Astra; Meriva; Tigra

**Engine:** 1.0 12V; 1.0 16V; 1.2 16V; 1.4 16V

**Engine code:** X10XE, Z10XE, Z10EXP, Z12XE, Z12XEP, Z14XEP, Z14XEL

CODE	
FG 192/OP5	



## Updating set for FG 192/OP5

**It permits the timing also for below motors:**

Adam, Ampera, Astra-J, Insignia, Meriva-B, Mokka, Zafira-C Tourer, Astra-G, Astra-H, Barina, Meriva-A, Tigra-B

**Additional engines :** 1.0 ecoFLEX, 1.2 ecoFLEX, 1.4 ecoFLEX, 1.4 Turbo ecoFLEX

**Additional engine code :** LWD, L2Z, LDD, LUU/A14XFL, LDD/A14XEL, LDD/A14XER, LUJ/A14NEL, LUJ/A14NET, A10XEP, A12XEL, A12XER, A14XER, A14NEL, LUJ/A14NET, LUH/A14NEL, A14NET

CODE	
FG 192/OP7B	



## Timing tool set for OPEL 1.0, 1.2, 1.4 Chain and ecoFLEX



### Models:

Adam, Agila, Ampera, Astra-J, Corsa-D, Insignia, Meriva-B, Mokka, Zafira-C Tourer, Corsa-B, Corsa-C, Astra-G, Astra-H, Combo, Combo-C, Barina, Meriva-A, Tigra-B

**Engine:** 1.0, 1.0 ecoFLEX, 1.2, 1.2 ecoFLEX, 1.4, 1.4 ecoFLEX, 1.4 Turbo ecoFLEX,

**Engine code:** LWD, L2Z, LDD, LUU/A14XFL, LDD/A14XEL, LDD/A14XER, LUJ/A14NEL, LUJ/A14NET, A10XEP, A12XEL, 12XER, A14XER, A14NEL, LUJ/A14NET, LUH/A14NEL, A14NET

CODE	
FG 192/OP7	



## Timing tool set for OPEL 1.4-2.2 16V ECOTEC



### Models:

Astra F, G e H; Corsa B e C; Combo; Tigra; Vectra B e C; Zafira A e B; Meriva; Signum; Calibra; Omega B; Frontera A e B

**Engine:** 1.4 16V; 1.6 16V; 1.8 16V; 2.0 16V; 2.2 16V

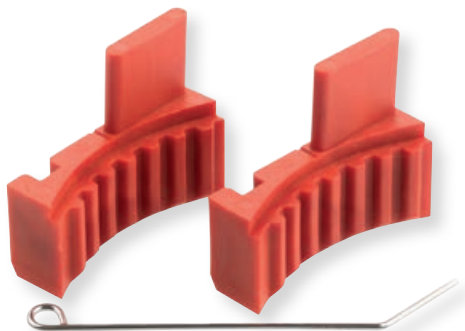
**Engine code: 1.4 16V:** X14XE, Z14XE, X16SEJ, X16XE, X16XEL, Y16XE, Z16XE, Z16YNG

**1.8 16V:** C18XEL, X18E1, X18XE, X18XE1, Z18XE, Z18XEL

**2.0 16V:** C20SEL, X20XEV, Z20LEH; Z20LEL; Z20LER; Z20LET

**2.2 16V:** X22SE, X22XE, Y22SE, Y22XE, Z22X

CODE	
FG 192/OP2	



## Timing tool set for OPEL 1.6 16V

### Models:

Astra G e H; Astra H Turbo; Corsa D



### Engine: 1.6 16V

Engine code: Z16XE1, Z16XER, Z16XEP, Z16LET, Z16LER

CODE	
FG 192/OP3	



## Timing tool set OPEL 1.3 CDTi

### Models:

Astra, Corsa, Agila, Combo, Meriva

### Engine: 1.3 CDTi

Engine code: Z13DT, Z13 DTH, Z13 DTJ



CODE	
FG 192/OP4	

## Flywheel locking tool for 1.3 CDTi

CODE	
FG 192/OP1	



## Timing tool set OPEL 1.6 CDTi e 1.6 SIDI Turbo (from 2013)

### Models:

Astra-J; Astra-K; Insignia; GTC; Meriva-B; Mokka; Zafira-C Tourer; Cascada

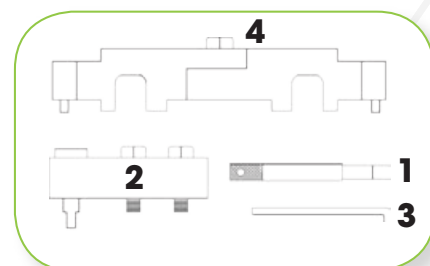
### Engine: 1,6 CDTi; 1,6 CDTi ecoFLEX; 1,6 SIDI Turbo; 1,6 SIDI Turbo ecoFLEX

Engine code: LVL/B16DTH; LVL/B16DTJ; LVL/B16DTN; LVM/B16DTL; LVM/B16DTC; LWQ/B16DTC; LWQ/B16DTE; LVK/B16DTR; LWV/B16DTU; LWC/A16SHT; LWC/B16SHL; LWC/B16SHT; LVP/A16XHT



CODE	
FG 192/OP4B	

CODE	DESCRIPTION	
FG 192/OP4B-1	Camshaft alignment tool	
FG 192/OP4B-2	Crankshaft alignment tool	
FG 192/OP4B-3	Tensioner locking pin	
FG 192/OP4B-4	camshaft holding tools	



## Timing tool set OPEL 2.0 CDTi, CHEVROLET 2.0D VCDi

### Models:

Antara, Captiva, Epica, Nubira, Lacetti, Evada

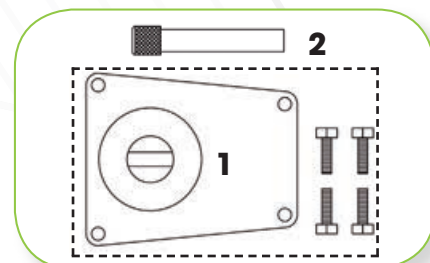
### Engine: 2.0 CDTi

Engine code: Z20DMH, Z20DM, Z20S1, RA420



CODE	
FG 192/OP6	

CODE	DESCRIPTION	
FG 192/OP6-1	Camshaft locking tool	
FG 192/OP6-2	Crankshaft locking pin	





## Timing tool set for OPEL 2.0, 2.2



### Models:

OPEL: Omega-B, Vectra-B, Astra-G, Zafira-A, Signum, Frontera-B

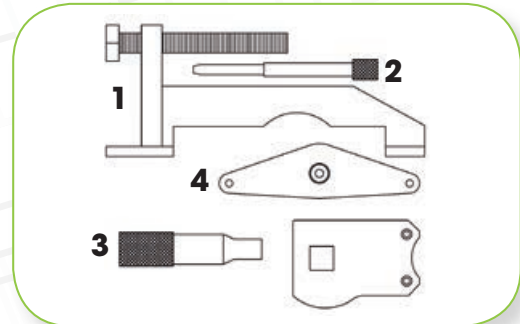
SAAB: 9-3, 9-5

Engine: 2.0 DTi, 2.2 DTi, 2.2 TiD

Engine code: X20DTH, X20DTL, Y20DTH, X22DTH, Y22DTR, D223L

CODE	
FG 192/OP8	

CODE	DESCRIPTION
FG 192/OP8-1	Camshaft sprocket holding tool
FG 192/OP8-2	Injection pump locking pin
FG 192/OP8-3	Crankshaft locking pin
FG 192/OP8-4	Camshaft locking tool



## Timing tool set for OPEL, SAAB 2.0 TURBO

CODE	
FG 192/OP10	

### Models:

OPEL: Signum, Vectra-C

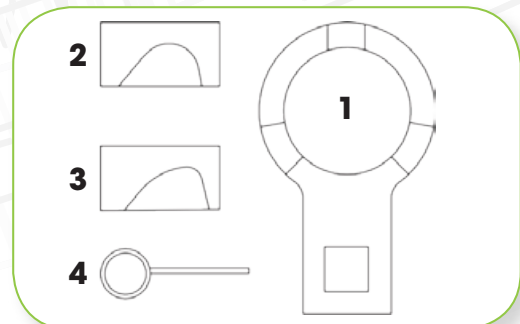
SAAB: 9-3

Engine: 2.0, 2.0 Turbo

Engine code: Z20NET; B207E; B207L

**NEW**

CODE	DESCRIPTION
FG 192/OP10-1	Crankshaft holding tool
FG 192/OP10-2	Inlet camshaft alignment tool
FG 192/OP10-3	Exhaust camshaft alignment tool
FG 192/OP10-4	1.0mm Tensioning Pin



## Timing tool set for Opel, Saab, Chevrolet 2.0 e 2.4 Turbo



### Models:

Opel: Astra; Astra-J; Insignia; Antara

Saab: 9-5

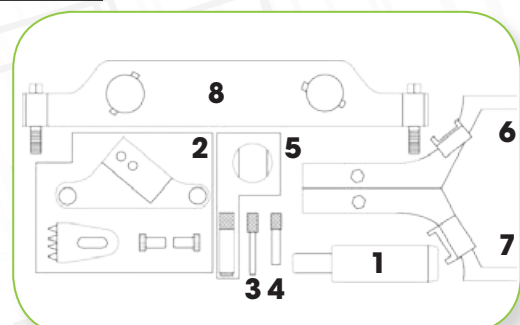
Chevrolet: Captiva; HHR; Malibu

Engine: 2.0 e 2.4 D (OPC; OPC/VXR); Turbo; Turbo ecoFLEX

Engine code: LHU/A20NFT; LKD/A20NHT; A24XE; A24XF; LE5; LE9

CODE	
FG 192/OP9	

CODE	DESCRIPTION
FG 192/OP9-1	Crankshaft pulley alignment tool
FG 192/OP9-2	Flywheel/drive plate holding tool
FG 192/OP9-3	Tensioner Retaining Pin 2.5 mm
FG 192/OP9-4	Tensioner Locating Pin 4.0 mm
FG 192/OP9-5	Tensioner plunger resetting tool
FG 192/OP9-6	Camshaft adjuster alignment tool
FG 192/OP9-7	Camshaft adjuster alignment tool
FG 192/OP9-8	Camshaft adjuster holding tool





## Timing tool set PSA 1.4 e 1.6 HDI

### Models:

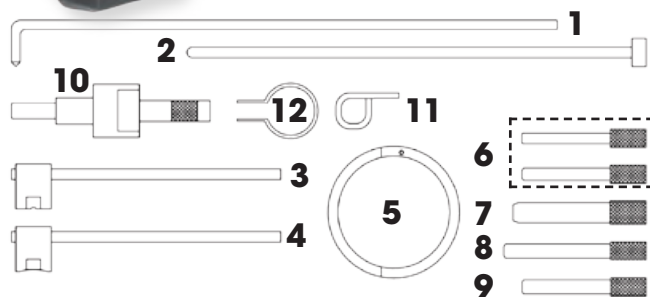
**Peugeot:** 107, 206, 206 Cc 207, 307, 307 Cc, 308, 406, 406 Coupe, 407, 607, 806, Expert I/II, Expert III, 807

**Citroen:** Xsara Picasso, Xsara II, C1, C3, C3 Pluriel, C4, C4 Picasso, Grand Picasso, Berlingo/Berlingo First I/II, C5 I, C5 II, C8, Dispatch/Jumpy III, Synergie/Evasion

**Cil:** 1,4D HdI, 1,6D HdI, 1,8, 1,8 16V, 2,0, 2,0 16V, 2,0 Hpi, 2,0 Gti 180/RC, 2,2

**Engine code:** EW10A(RFJ), EW10D(RLZ), EW10J4(RFR), W10J4L5(RFN), EW10J4S(RFK), EW12J4(3FY/3FZ), EW12J4/5(3FZ), EW7A(6FY), EW7J4(6FZ), 9H Y/9HZ(DV6TED4), 9HX(DV6ATED4), 9HW(DV6BTD4), 9HU(DV6UTED4), DV4TD (8HT/8HX/8HW/8HV/8HY/8HZ)

CODE	
FG 192/PS13	



CODE	DESCRIPTION
FG 192/PS13-1	Tensioner pin
FG 192/PS13-2	Tensioner pulley locking tool
FG 192/PS13-3	Tensioning tool
FG 192/PS13-4	Tensioning tool
FG 192/PS13-5	Tensioner pulley adjusting tool
FG 192/PS13-6	Timing pin
FG 192/PS13-7	Timing pin
FG 192/PS13-8	Timing pin
FG 192/PS13-9	Timing pin
FG 192/PS13-10	Flywheel/drive plate locking tool
FG 192/PS13-11	Locking Pin
FG 192/PS13-12	Crankshaft sprocket centralizing tool

## Timing tool set PSA 1.9D, 2.0D HDi, 2.2D HDi

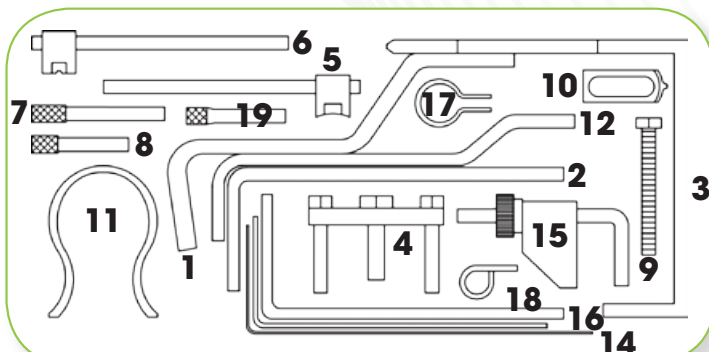
### Models:

Xsara; 307; 406; 607; 806; Expert I/II; 807; 206; 306; Boxer; 406 Coupe

**Engine:** 1.9D, 2.0D HDi, 2.2D HDi

**Engine code:** DW8/L3(WJZ), DW10TD(RHY), W10ATED(RHS), W10ATED(RHZ), DW10ATED4/L4(RHT), DW10BTED(RHX), W10ATED4(RHW), DW10TD(RHY), DW10UTD(RHV), W12ATED(4HX), DW12ATED(4HZ), DW12UTED(4HY), DW8(WJY), DW8/L/W3(WJZ), DW8B/L4(WJY)

CODE	
FG 192/PS15	



CODE	DESCRIPTION
FG 192/PS15-1	Flywheel locking tool
FG 192/PS15-2	Flywheel locking tool
FG 192/PS15-3	Flywheel timing pin - 8 mm
FG 192/PS15-4	Crankshaft pulley puller
FG 192/PS15-5	Tensioning tool
FG 192/PS15-6	Tensioning tool
FG 192/PS15-7	Flywheel locking tool 8mm
FG 192/PS15-8	Flywheel locking tool 6mm
FG 192/PS15-9	M8x80mm
FG 192/PS15-10	Flywheel locking tool
FG 192/PS15-11	Timing belt retaining clip
FG 192/PS15-12	Flywheel timing pin
FG 192/PS15-13	Tensioner retaining tool
FG 192/PS15-14	Tensioner locking tool
FG 192/PS15-15	Timing belt clamp
FG 192/PS15-16	Auxiliary drive belt tensioner pulley locking tool
FG 192/PS15-17	Crankshaft sprocket centralizing tool
FG 192/PS15-18	Flywheel timing pin
FG 192/PS15-19	Exhaust camshaft sprocket timing pin



## Timing tool set PSA, LAND ROVER, JAGUAR



### Models:

**PEUGEOT:** 407, 607

**CITROEN:** C5 III, C6

**LAND ROVER:** Discovery 3, Discovery 4, Range Rover Sport.

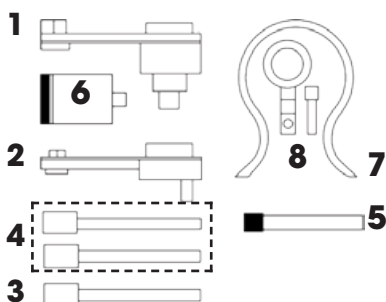
**JAGUAR:** S-Type, XF, XJ6. .

**Engine:** 2.7, 2.7 TDV6, 2.7 TDVi, 2,7 HDI

**Engine code:** 276DT, 276DT (7B/7G), 7G,  
UHZ (DT17BTED4), DT17TED4 (UHZ)

CODE	
FG 192/PS7	

**NEW**



CODE	DESCRIPTION	
FG 192/PS7-1	Flywheel locking tool (AT)	
FG 192/PS7-2	Flywheel timing tool (MT)	
FG 192/PS7-3	Camshaft sprocket aligning tool	
FG 192/PS7-4	Camshaft sprocket timing pins	
FG 192/PS7-5	Water pump pulley locking tool	
FG 192/PS7-6	Flywheel locking tool	
FG 192/PS7-7	Timing belt retaining clip	
FG 192/PS7-8	Water pump support	



## Timing tool set PSA / FIAT 2.5D, 2.8 - CHAIN

### Models:

**PEUGEOT:** Relay/Jumper

**CITROEN:** Boxer, Boxer II

**FIAT:** Ducato, Croma, Talento

**Engine:** 2.8, 2.8 TDi, 2.8 HDI

**Engine code:** 8140,63, 8140.43S, 8140.43N, 8144,67,  
8140,27, 8140.47R, 8144,21, 8140,47

CODE	
FG 192/PS4	



## Timing tool set PSA 1.0VTi, 1.2VTi

### Models:

**PEUGEOT:** 208, 308, 2008

**CITROEN:** C3 III, DS3/DS3 Cabrio

CODE	
FG 192/PS2	

**Engine:** 1,0 VTi, 1,2 VTi

**Engine code:** EBO(ZMZ), EB2(HMZ), ZMZ(EBO)



## Timing tool set PSA 1.4 16V

### Models:

**CITROEN:** Berlingo/Berlingo First I/II; C2

**PEUGEOT:** 1007; 206; 207; 307

**Engine:** 1.4 benzina a cinghia

**Engine code:** KFW(TU3A); KFW(TU3JP/L4); KFW(TU3A);  
KFW(TU3JP); ET3J4(KFU); ET3JP4(KFU); TU3A(KFV)

CODE	
FG 192/PS7B	





### Timing tool set RENAULT & NISSAN 1.4, 1.6 16V, 1.8 16V, 2.0 16V

**Models:**

Clio, Megane, Megan Scenic, Laguna, Espace, Grand Espace, Kubistar, Primastar

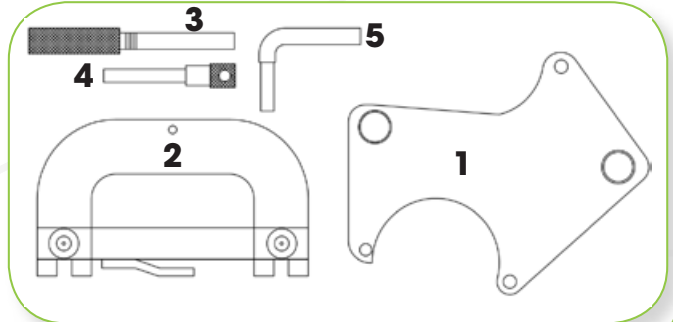
**Engine:** 1.4, 1.6 16V, 1.8 16V, 2.0 16V

**Engine code:** K4J, K4M, F4P, F4R

CODE	
FG 192/RE5	



CODE	DESCRIPTION
FG 192/RE5-1	Camshaft sprocket locking tool
FG 192/RE5-2	Camshaft locking bar
FG 192/RE5-3	Crankshaft timing pin (1.4/1.6)
FG 192/RE5-4	Camshaft timing pin (1.8/2.0)
FG 192/RE5-5	Crankshaft locking pin (1.8/2.0)



### Timing tool set RENAULT 1.5dCi, 1.4 & 1.6 16V

**Models:** Clio, Kangoo, Megane, Scenic, Grand Scenic II, Clio III

**Engine:** 1.5dCi, 1.4 & 1.6 16V

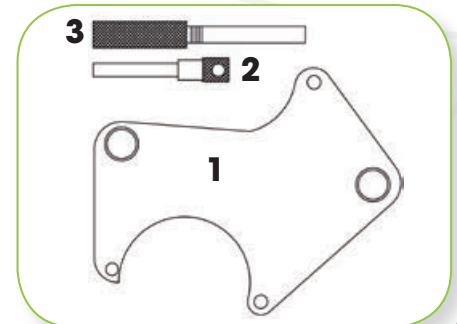
**Engine code:** 1.5 dCi: K9K dal 2001;

1.4&1.6 16V: K4M, 708, 716, 730, 732, 750, 752, 753, 760, 761, 766, 782, 800, 801, 812, 813

CODE	
FG 192/RE3	



CODE	DESCRIPTION
FG 192/RE3-1	Camshaft sprockets locking tool
FG 192/RE3-2	Crankshaft timing pin
FG 192/RE3-3	Crankshaft timing pin



### Set fasatura motori RENAULT, NISSAN 1.6 dCi

**Modelli:**

*Nissan:* Qashqai; Qashqai+2; X-Trail

*Renault:* Espace; Fluence; Megane III; Scenic/Grand Scenic III; Trafic III

**Cilindrata:** 1.6dCi

**CODE motore:** 1.5 dCi: K9K dal 2001;

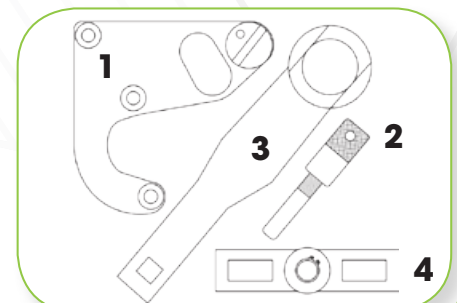
R9M; R9M 410; R9M 409; R9M 452; R9M 402;

R9M 404; R9M 408; R9M 413; R9M 450; R9M 452

CODE	
FG 192/RE4	



CODE	DESCRIPTION
FG 192/RE4-1	Camshaft holding/alignment tool
FG 192/RE4-2	Crankshaft timing pin
FG 192/RE4-3	Crankshaft pulley holding tool
FG 192/RE4-4	Two-piece inlet camshaft gear alignment tool



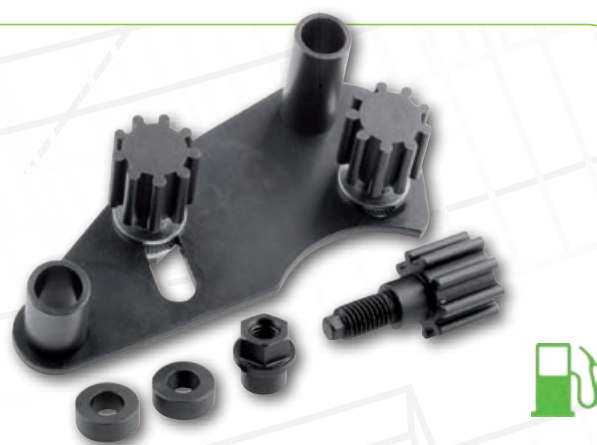
## Camshaft sprocket locking plate for RENAULT 1.8 and 2.0 16V

**Models:** Clio III; Laguna III Turbo/GT Turbo; Megane II; Megane III; Laguna; Megane; Scenic

**Engine:** 1.8 e 2.0 16V benzina

**Engine code:** F4R 830; F4R 832; F4RT 800; F4RT 802; F4RT 820; F4RT 810; F4RT 811; F4RT 813; F4RT 774; F4RT 776; F4RT 872; F4RT 874; F4RT 870; F4RT 874; F4P 760; F4P 720; F4P 722

CODE	
FG 192/RE7	



## Timing tool set RENAULT, OPEL, NISSAN 1.5, 1.9, 2.2, 2.5 DCI

**Models:**

Clio, Kangoo, Megane, Scenic, Grand Scenic, Modus, Logan, Almera, Micra, Qashqai, Kubistar, Laguna, Traffic II, Movano, Vivaro, Primera, Interstar, Primastar, Espace, Grand Espace

**Engine:** 1.5, 1.9, 2.2, 2.5 dCi

**Engine code:** 1.5 dCi: K9K, 1.9 dCi: F9Q,

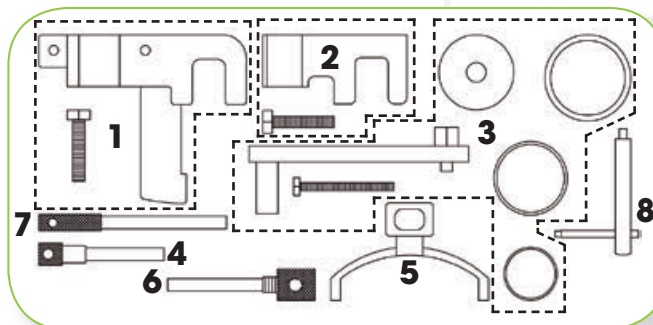
2.2 dCi: G9T, 2.5 dCi: G9U

750, 752, 753, 760, 761, 766, 782, 800, 801, 812, 813

CODE	
FG 192/RE13	



CODE	DESCRIPTION
FG 192/RE13-1	Exhaust camshaft locking tool
FG 192/RE13-2	Inlet camshaft locking tool
FG 192/RE13-3	Tensioning tool
FG 192/RE13-4	TDC timing pin
FG 192/RE13-5	Injection pump sprocket locking tool
FG 192/RE13-6	Crankshaft timing pin
FG 192/RE13-7	Crankshaft Timing Pin
FG 192/RE13-8	Injection pump gear holding tool



## Timing tool set RENAULT 2.0D dCi

*Suitable also for OPEL VIVARO e NISSAN PRIMASTAR*

**Models:**

*Renault:* Scenic, Grand Scenic II, Megane II, Laguna, Espace, Grand Espace, Traffic, Koleos

*Nissan:* Qashqai, Primastar

*Opel:* Vauxhall: Vivaro

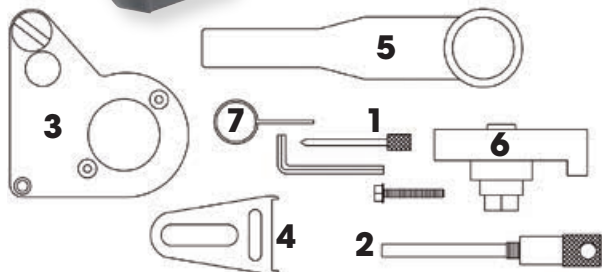
**Engine:** 2.0D dCi

**Engine code:** RENAULT: M9R 700, 721, 724, 740, 752, 760, 761, 780, 805, 830, 832, 833

NISSAN: M9R, M9R780

OPEL, VAUXHALL: M9R780, 750, 752, 753, 760, 761, 766, 782, 800, 801, 812, 813

CODE	
FG 192/RE6	



CODE	DESCRIPTION
FG 192/RE6-1	Auxiliary belt tensioner locking pin (3,60mm)
FG 192/RE6-2	Crankshaft Locking pin
FG 192/RE6-3	Locking tool / camshaft alignment tool + M6 bolt
FG 192/RE6-4	Flywheel locking tool
FG 192/RE6-5	Crankshaft pulley holding tool
FG 192/RE6-6	Two-piece exhaust camshaft gear alignment tool
FG 192/RE6-7	Crankshaft pulley holding tool (2,90mm)





**Pulley locking tool for  
VAG 1.4 16V e 1.6 16V**



**Models:**

*Volkswagen:* Polo, Lupo, Bora, Golf, Golf Estate, Caddy, Caddy Maxi, Polo Classic, Beetle

*Skoda:* Fabia, Octavia, Octavia Tour, Octavia II

*Seat:* Cordoba, Ibiza, Arosatoledo, Leon, Inca

*Audi:* A2

**Engine:** 1.4 16V e 1.6 16V

**Engine code:** AFH, AFK, AHW, AJV, AKQ, APE, AQQ, ATN, AUA, AUB, AUS, AXP, AZD, BAD, BBY, BBZ, BCA, BCB, BKY

<b>CODE</b>	
FG 192/VW1	



**Belt holder for  
VW, AUDI, SEAT, SKODA**



<b>CODE</b>	
FG 192/VW1B	



**Belt holder for  
VW, AUDI, SEAT, SKODA**



<b>CODE</b>	
FG 192/VW1C	



**Belt holder for  
VW, AUDI, SEAT, SKODA**



<b>CODE</b>	
FG 192/VW1D	



**Belt holder for  
VW, AUDI, SEAT, SKODA**



<b>CODE</b>	
FG 192/VW1E	



**Camshaft sprocket holding  
tool for VW, AUDI, SEAT, SKODA**



<b>CODE</b>	
FG 192/VW1F	



## Timing tool set AUDI 3.0 V6 BELT DRIVE



### Models:

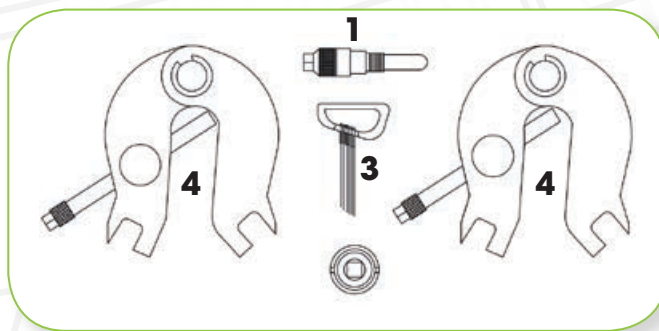
AUDI: A4, A4 Cabrio, A4 quattro, A6, A8

Engine: 3.0 Benzina

Engine code: ASN, BBJ

CODE	
FG 192/VW5B	

CODE	DESCRIPTION	
FG 192/VW5B-1	Crankshaft locking tool	
FG 192/VW5B-2	Camshaft sprocket adjusting tool	
FG 192/VW5B-3	Tensioner locking pins	
FG 192/VW5B-4	Camshaft locking tools (2 pcs)	



## Timing tool set for VAG 1.0 3 cilindri

### Models:

SEAT: Mii

SKODA: Citigo, Fabia

VOLKSWAGEN: Up, Polo

Engine: 1.0 Benzina

Engine code: ASN, BBJ: CHYA, CHYB, CPGA

CODE	
FG 192/VW4B	



CODE	DESCRIPTION	
FG 192/VW4B-1	Tensioner pulley holding tool	
FG 192/VW4B-2	Camshaft locking tool	
FG 192/VW4B-3	Camshaft timing tool	
FG 192/VW4B-4	Crankshaft locking tool	



## Camshaft alignment tools suitable for VOLKSWAGEN, AUDI, SKODA 1.2 TSi



### Models:

VOLKSWAGEN: Beetle/Maggiolino, Caddy/Caddy Maxi, Golf Plus, Golf VI, Golf VI Cabrio, Golf VI Estate, Jetta, Polo, Touran

AUDI: A1, A2, A3 Cabrio

SEAT: Altea/Altea XL, Ibiza, Leon

SKODA: Fabia II, Octavia, Praktik, Roomster, Yeti

Engine: 1.2 TSi

Engine code: CBZA, CBZB, CBZC

CODE	
FG 192/VW2	





### Timing tool set VAG 1.2 3 cilindros 6v e 12v

**Models:**

*Volkswagen:* Polo, Fox *Seat:* Cordoba, Ibiza  
*Skoda:* Fabia, Roomster  
*Seat:* Cordoba, Ibiza

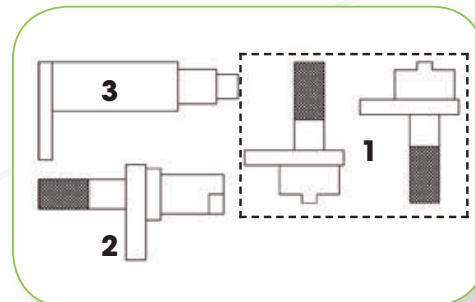


**Engine:** 1.2 3 CIL. 6V e 12V

**Engine code:** AWY, BMD, AZQ, BME

CODE	
FG 192/VW4	

CODE	DESCRIPTION	
FG 192/VW4-1	Camshaft alignment tool (2 pcs)	
FG 192/VW4-2	Camshaft alignment tool	
FG 192/VW4-3	Flywheel locking tool	



### Timing tool set VAG 1.4 FSI & 1.6 FSI

**Models:**

A3, Polo, Golf, Golf Plus, Touran, Eos, Jetta, Passat, Octavia II

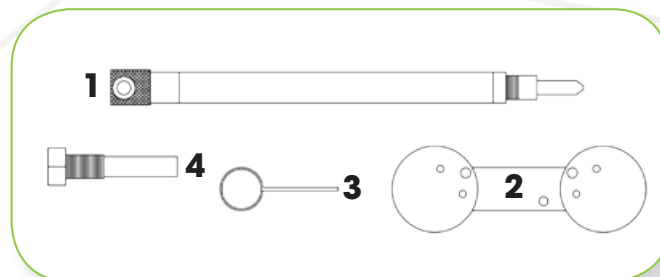


**Engine:** 1.4 FSI & 1.6 FSI

**Engine code:** AUX, BAG, BKG, BLF, BLN, BLP

CODE	
FG 192/VW3	

CODE	DESCRIPTION	
FG 192/VW3-1	Dial gauge holder	
FG 192/VW3-2	Camshaft alignment tool	
FG 192/VW3-3	Tensioner locking tool	
FG 192/VW3-4	Crankshaft timing pin	



### Set fasatura motori VAG VAG 1.2/1.4 TSi e TFSi

**Modelli:**

A3, A3 Sportback, A3 Saloon, A3 Cabrio, A3 Sedan, A1, A1 Sportback, Q3  
 Leon, Leon ST, Ibiza  
 Fabia III, Fabia III Estate, Octavia III  
 Polo, Jetta, Golf VII, Golf VII Estate, Golf VII Wagon, Passat, Golf SV

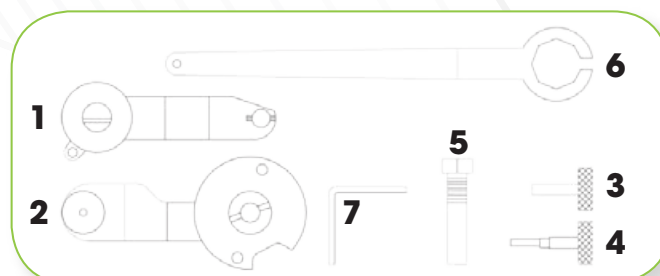
**Cilindrata:** 1,2TSI, 1,2TFSI, 1,4TSI, 1,4TFSI, 1,4 TSI ACT, 1,4GTE, 1,4 GTE Hybrid, 1,4TGI BlueMotion, 1,4g-tron, 1,4e-tron, 1,4TFSI COD

**CODE motore:** CJA, CJZB, CJZC, CJZD, CYVD, CYVA, CYVB, CZCA, CXSA, CXSB, CPWA, CHPB, CUKB, CZDA, CPTA, CZEA

CODE	
FG 192/VW4C	



CODE	DESCRIPTION	
FG 192/VW4C-1	Camshaft timing tool	
FG 192/VW4C-2	Camshaft timing tool	
FG 192/VW4C-3	Camshaft timing tool locking pin	
FG 192/VW4C-4	Camshaft timing check pin	
FG 192/VW4C-5	Crankshaft locking tool	
FG 192/VW4C-6	Tensioner pulley holding tool	
FG 192/VW4C-7	Auxiliary drive belt tensioner locking pin	



## Timing tool set VAG 1.8 e 1.8T

**Models:** AUDI: A3; S3; TT ;A6 - VW: Golf; Passat  
SEAT: Ibiza; Cordoba ; Leon; Toledo; Alhambra Octavia

**Engine:** 1.8, 1.8 T benzina

**Engine code:** ADR, AEB, AFY, AGN, AGU, AJH, AJL, AJP, AJQ, AMK, AMU, ANB, APG, APH, APP, APT, APU, APX, APY, AQA, AQX, AGR, ARX, ARY, ARZ, ATC, ATW, AUM, AUQ, AVC, AWC, AWP, AWU, AWV, AYP, BAM, BEA, BFV, BKF, BNU, BVP, BVR



CODE	
FG 192/VW5	



## Timing tool set VAG 1.8/2.0 TFSi 4V (CHAIN)

**Models:**

**VW:** Tiguan; CC; Golf VI; Passat; Beetle/Maggiolino; Eos; Scirocco.

**AUDI:** A4; A4 quattro; A5 Coupe/Cabriolet; A5 Sportback; Q5; TT

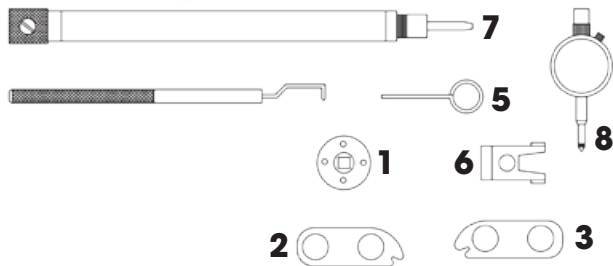
**SKODA:** Octavia II; Superb; Yeti

**Engine:** 1.8 TFSi; 2.0 TFSi

**Engine code:**

CCZA; CCZB; CCZC; CCZD; CDAA; CDAB; CDHB; CDNC; CFKA; CDNB; CETA; CJEB; CESA; CDHA

CODE	
FG 192/VW8	



CODE	DESCRIPTION	
FG 192/VW8-1	Camshaft Control Valve Removal Tool	
FG 192/VW8-2	Camshaft Clamp (Exhaust)	
FG 192/VW8-3	Camshaft Clamp (Inlet)	
FG 192/VW8-4	Oil Pump Tensioner Locking Pin	
FG 192/VW8-5	Tensioner Locking Pin 1.4mm	
FG 192/VW8-6	Timing Chain Tensioner	
FG 192/VW8-7	TDC	
FG 192/VW8-8	DTI Gauge	

## Crankshaft holding tool for VAG 1.8/2.0 TFSi 4V (CHAIN)

CODE	
FG 192/VW8B	

Associated set: FG 192/VW8



## Timing tool set VW / AUDI 2.0 FSI & TFSI

**Models:**

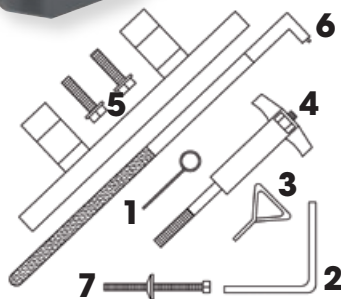
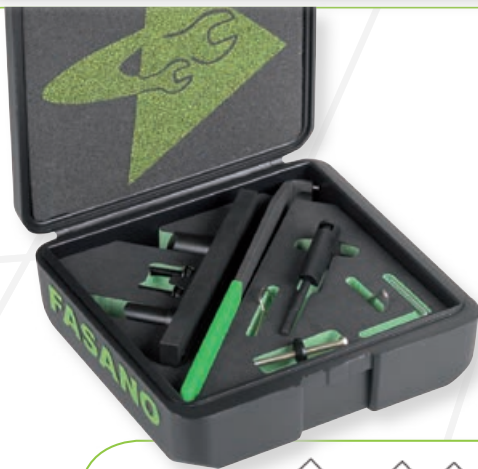
**AUDI:** A3, A4, TT, A4 Cabrio, S3

**VOLKSWAGEN:** Golf VI, Touran, Passat, Eos, Jetta, Golf Plus, Scirocco, Golf V

**Engine:** 2.0, 2.0 FSI, 2.0 TFSI

**Engine code:** AXW, BHD, BMB, AWA, AXX, BPY, BWA, BUL, BPJ, BGB, BWE, BLR, BLX, BLY, BVY, BWT, BPG, CDLA, CDLB, CDLC, CDMA, AXW, CDLF

CODE	
FG 192/VW7C	



CODE	DESCRIPTION	
FG 192/VW7C-1	Tensioner locking tool	
FG 192/VW7C-2	Auxiliary drive belt tensioner locking pin	
FG 192/VW7C-3	Tensioner locking tool	
FG 192/VW7C-4	Chain tensioner/camshaft adjuster retaining tool	
FG 192/VW7C-5	Camshaft alignment tool	
FG 192/VW7C-6	Two-pin wrench	
FG 192/VW7C-7	Chain tensioner/camshaft adjuster retaining tool	



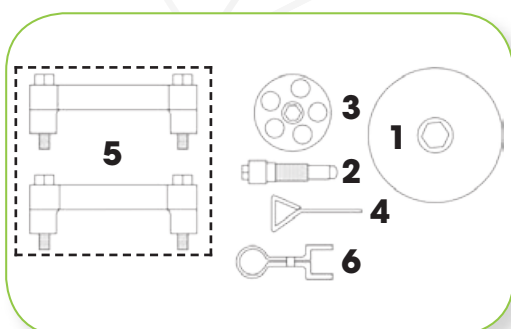
## Timing tool set AUDI 2.5 TFSI / RS PLUS

**Models:**  
RS Q3; Q3; TT

**Engine:** 2.5 TFSI / RS PLUS

**Engine code:** CZGA; CZGB; CEPA; CEPB; CTSA

CODE	
FG 192/VW7D	



CODE	DESCRIPTION
FG 192/VW7D-1	Camshaft adjuster holding tool
FG 192/VW7D-2	Crankshaft alignment pin
FG 192/VW7D-3	Crankshaft pulley bolt adaptor
FG 192/VW7D-4	Timing chain tensioner locking pin (3 pcs)
FG 192/VW7D-5	Camshaft locking tool (2 pcs)
FG 192/VW7D-6	Timing chain tensioner locking pin (2 pcs)



## Timing tool set VW 1.2, 1.4, 1.6, 1.9, 2.0D TDI PD

**Models:**

**Volkswagen:** Bora, Golf, Golf Estate, Golf Plus, Passat, Lupo, Polo, Sharan, Beetle, Touran, Transporter, Jetta, Caddy, Caddy Maxi, Eos

**Audi:** A2, A3, A4, A4 Cabrio, A4 Quattro, A6

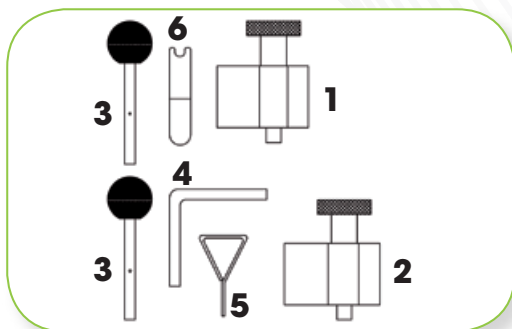
**Seat:** Arosa, Cordoba, Ibiza, Alhambra, Leon, Toledo, Altea, Altea XI

**Skoda:** Fabia, Octavia, Octavia Tour, Octavia li, Superb, Roomster

**Engine:** 1.2D TDI PD, 1.4D TDI PD, 1.6D TDI PD, 1.9D TDI PD, 2.0D TDI PD

**Engine code:** AJM, AMF, ANU, ANY, ARL, ASZ, ATD, ATJ, ATL, AUY, AVB, AVF, AVQ, AWX, AXB, AXC, AXR, AYZ, AZV, BAY, BDJ, BDK, BGW, BHC, BHW, BJB, BKC, BKD, BKE, BKP, BKQ, BLB, BLS, BLT, BMA, BMM, BMN, BMP, BMR, BMS, BMT, BNA, BNM, BNV, BPW, BPX, BRA, BRB, BRC, BRE, BRF, BRM, BRT, BRU, BSS, BSV, BSU, BSW, BTB, BUK, BUY, BUZ, BVA, BVE, BVF, BVG, BVH, BVK, BWV, BXE, BXF

CODE	
FG 192/VW7	



CODE	DESCRIPTION
FG 192/VW7-1	Crankshaft sprocket locking tool - round version
FG 192/VW7-2	Crankshaft sprocket locking tool - oval version
FG 192/VW7-3	Camshaft/high-pressure fuel pump locking tool (2 pcs)
FG 192/VW7-4	Auxiliary drive belt tensioner locking pin
FG 192/VW7-5	Chain tensioner locking pin
FG 192/VW7-6	Two-pin wrench





## Timing tool set for new VAG 1.4, 1.6, 2.0 TDi CR



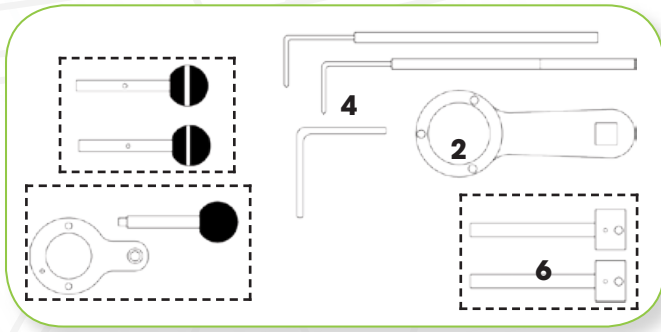
### Models:

**Volkswagen:** Golf VII, Golf VII Estate, Golf VII Wagon, Polo  
**Audi:** A3 Cabrio, A3 Saloon, A3/A3 Sportback, A4, A4 allroad, A4 quattro, A5 Coupe/Cabriolet, A5 Sportback, A6, Q5, TT  
**Seat:** Leon, Leon ST  
**Skoda:** Octavia III

**Engine:** 1.4TDI CR, 1.6TDI CR, 1.6TDI CR GreenLine/BlueMotion/Ecomotive, 2.0TDI CR / RSTDI / TDI CR Ultra

**Engine code:** CKFB, CKFC, CLHA, CLHB, CNHA, CNHC, CRBC, CRBD, CRFA, CRFC, CRKA, CRKB, CRLB, CRLC, CRMB, CRVA, CRVC, CSUA, CSUB, CUNA, CUPA, CUTA, CUSA, CUSB

CODE	
FG 192/VW10B	



CODE	DESCRIPTION	
FG 192/VW10B-1	Crankshaft sprocket locking tool	
FG 192/VW10B-2	High-pressure fuel pump sprocket holding tool	
FG 192/VW10B-3	Auxiliary drive belt tensioner locking pin	
FG 192/VW10B-4	Tensioner pulley adjusting tool	
FG 192/VW10B-5	Tensioner pulley locking tool	
FG 192/VW10B-6	High-pressure fuel pump locking tool	
FG 192/VW10B-7	Camshaft locking tool	



## Timing tool set VAG & FORD



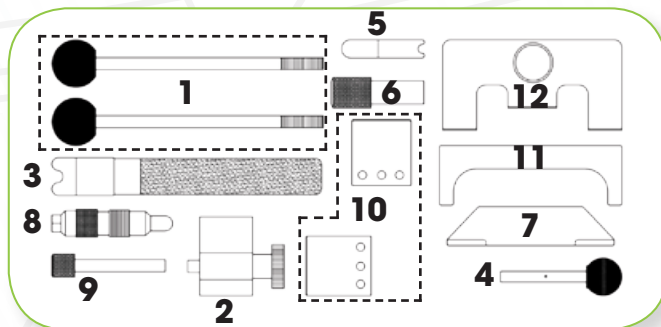
### Models:

**Volkswagen:** Transporter, Caddy, Golf, Golf Estate, Passat, Polo, Polo Classic, Polo Estate, Sharan, Vento, Bora, Beetle, Lupo  
**Audi:** 80, 90, 100, A6, A3, A4, A8, Allroad  
**Seat:** Cordoba, Ibiza, Toledo, Alhambra, Inca, Arosa  
**Skoda:** Felicia, Van, Pick, Up, Octavia, Octavia Tour, Fabia  
**Ford:** Galaxy

**Engine:** 1.2D TDI PD, 1.4D TDI PD, 1.6, 1.6D, 1.6D TURBO, 1.7D SDI, 1.8, 1.8 TURBO, 1.9D, 1.9D TURBO, 1.9D TDI, 1.9D TDI PD, 2.0, 2.4D, 2.5D TDI, 2.5D SDI, 3.7, 4.2

**Engine code:** 1X, 1Y, 1Z, AAB, AAT, AAZ, ABL, ABZ, ACE, ACV, ADP, ADR, AEB, AEF, AEL, AEY, AEW, AFB, AFF, AFN, AGD, AGP, AGR, AGX, AHB, AHC, AHD, AHF, AHH, AHL, AHU, AJA, AJM, AKE, AKN, AKU, AKW, ALE, ALH, ALT, AMF, ANU, ANY, AQM, ARL, ASV, ASX, ASZ, ATD, ATJ, AUJ, AVB, AVF, AVG, AVJ, AWX, AXR, AYM, AYZ, BAY, CY, JK, RA, SB

CODE	
FG 192/VW14	



CODE	DESCRIPTION	
FG 192/VW14-1	Support guides	
FG 192/VW14-2	Crankshaft sprocket locking tool	
FG 192/VW14-3	Two-pin wrench	
FG 192/VW14-4	Camshaft/high-pressure fuel pump locking tool	
FG 192/VW14-5	Tensioner locking tool	
FG 192/VW14-6	Injection pump sprocket locking pin	
FG 192/VW14-7	Camshaft setting bar	
FG 192/VW14-8	Crankshaft locking tool	
FG 192/VW14-9	Locking pin	
FG 192/VW14-10	Camshaft aligning tool	
FG 192/VW14-11	Camshaft setting bar	
FG 192/VW14-12	Camshaft setting bar	



## Timing tool set VW, AUDI, SEAT, SKODA 1.6, 2.0 TDI CR

### Models:

**VW:** Beetle/Maggiolino; Golf V; Golf VI Cabri; Golf VI Estate; Golf Plus; Passat; Polo; Jetta; Touran; Caddy/Caddy Maxi  
**AUDI:** Q5; A1; A3; A3 Cabrio; A4; A4 allroad; A4 quattro; A5 Coupe/Cabriolet; A5 Sportback; A6

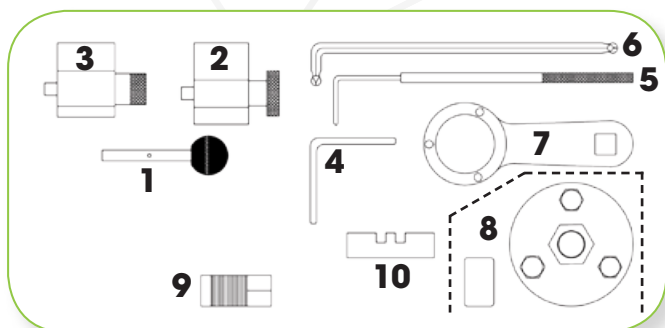
**SEAT:** Ibiza; Leon; Altea / Altea XL; Toledo; Exeo

**SKODA:** Fabia II; Octavia II; Rapid; Praktik; Yeti; Roomster; Superb II

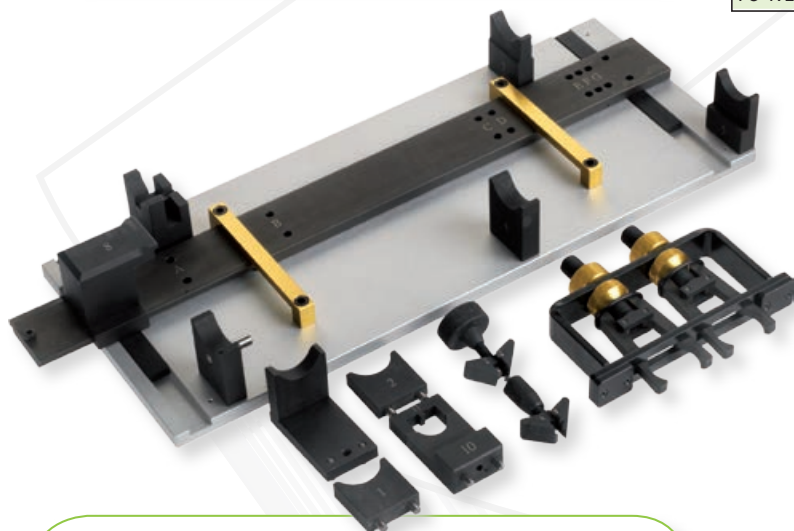
**Engines:** 1.6, 2.0 TDI CR (diesel with chain)

**Engine code:** CAYB; CAYC; CAYA; CAGA; CAGB; CAGC; CAHA; CAHB; CFHC; CBAA; CBAB; CFFB; CGLA; CGLB; CAAA; CAAB; CAAC; CBAB; CBAC; CBBA; CBBB; CBDA; CBDB; CBDC; CFJA; CFWA; CJCA; CJCB; CJAA; CCHA; CEGA

CODE	
FG 192/VW10	

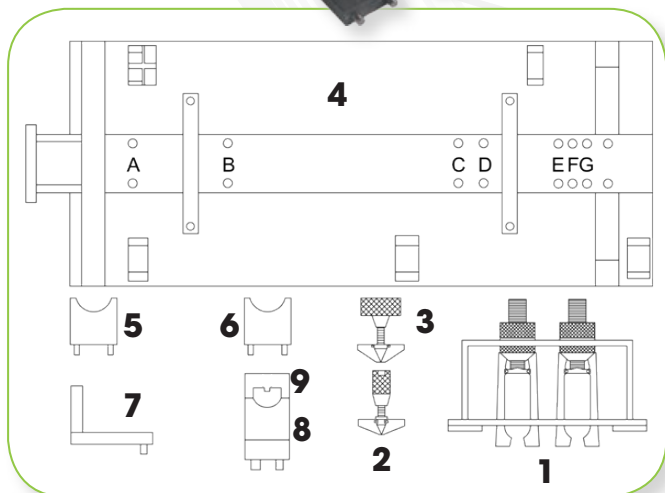


CODE	DESCRIPTION
FG 192/VW10-1	Injection pump/balancer shaft locking pin
FG 192/VW10-2	Crankshaft sprocket locking tool
FG 192/VW10-3	Crankshaft sprocket locking tool
FG 192/VW10-4	Auxiliary drive belt tensioner locking pin (3.9 mm)
FG 192/VW10-5	Tensioner pulley locking tool
FG 192/VW10-6	Tensioner pulley adjusting tool
FG 192/VW10-7	Camshaft sprocket hub holding tool
FG 192/VW10-8	Camshaft sprocket hub puller
FG 192/VW10-9	Camshaft sprocket hub puller
FG 192/VW10-10	Balancer shaft locking tool



## Camshaft/Head Rebuild set for VAG engines (Timing gears in cylinder head) for VW, AUDI, SEAT, SKODA 1.6, 2.0 TDI CR

CODE	
FG 192/VW11	



CODE	DESCRIPTION
FG 192/VW11-1	Camshaft locking pin
FG 192/VW11-2	Two-piece exhaust camshaft gear alignment tool
FG 192/VW11-3	Two-piece exhaust camshaft gear alignment tool
FG 192/VW11-4	Base plate of camshaft fitting tool
FG 192/VW11-5	Support for camshaft alignment tool
FG 192/VW11-6	Support for camshaft alignment tool
FG 192/VW11-7	Support for camshaft alignment tool
FG 192/VW11-8	Support for camshaft alignment tool
FG 192/VW11-9	Support for camshaft alignment tool



## Timing tool set VOLKSWAGEN 2.4, 2.5 TDI



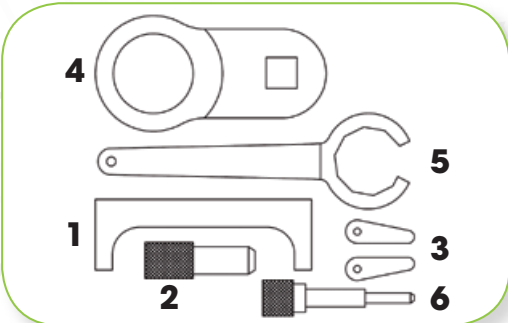
### Models:

LT; Crafter; Transporter T4

### Engine: 2.4, 2.5 Tdi

Engine codes: ANJ; BJJ; BJK; BJL; BJM; AAB; AJA

CODE	
FG 192/VW7B	



CODE	DESCRIPTION	
FG 192/VW7B-1	Camshaft setting bar	
FG 192/VW7B-2	Injection pump sprocket locking pin (Ø15.4 mm)	
FG 192/VW7B-3	Shims	
FG 192/VW7B-4	Crankshaft pulley holding tool	
FG 192/VW7B-5	Tensioner pulley spanner	
FG 192/VW7B-6	Crankshaft timing pin	



## Timing tool set VAG 2.5 TDi V6



### Models:

*Volkswagen:* Passat

*Audi:* A4; A4 quattro; A6; A6 quattro; A8; Allroad; A4 Cabrio

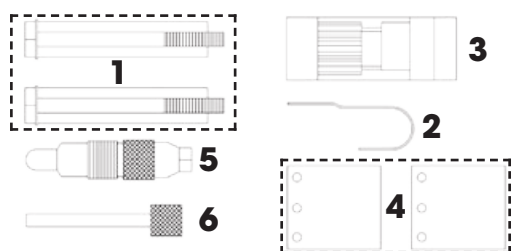
*Skoda:* Superb

### Engine: 2.5 Tdi

Engine codes: AFB; BAU; AKE; AKN; BDG; BDH; AFB; BAU; AKE; AKN; AYM; BCZ; BDG; BDH; BFC; AYM; BDG

CODE	
FG 192/VW9	

CODE	DESCRIPTION	
FG 192/VW9-1	Support guides (2 pcs)	
FG 192/VW9-2	Tensioner locking pin	
FG 192/VW9-3	Tensioner wrench	
FG 192/VW9-4	Camshaft alignment tool (2 pcs)	
FG 192/VW9-5	Crankshaft locking tool	
FG 192/VW9-6	Injection pump locking pin	







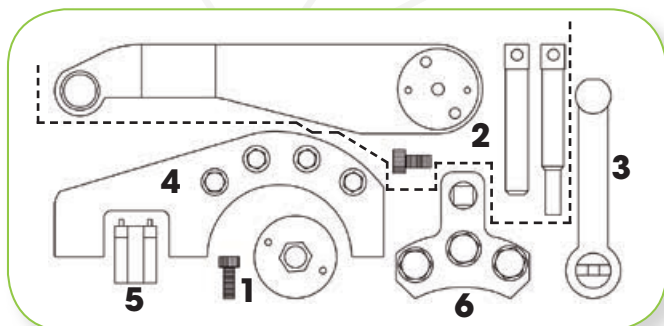
## Timing tool set VOLKSWAGEN 2.5 TDI PD



**Models:**  
Transporter, Touareg

**Engine:** 2.5 TDI PD  
**Engine codes:** AXD; AXE; BAC; BLJ;  
BLK; BNZ; BPC; BPD; BPE

CODE	
FG 192/VW6	



CODE	DESCRIZIONE	
FG 192/VW6-1	Crankshaft alignment tool	
FG 192/VW6-2	Crankshaft locking tool	
FG 192/VW6-3	Camshaft alignment tool	
FG 192/VW6-4	Camshaft gear locking tool	
FG 192/VW6-5	Camshaft compensation gear pre-tensioning tool	
FG 192/VW6-6	Camshaft gear holding / turning tool	



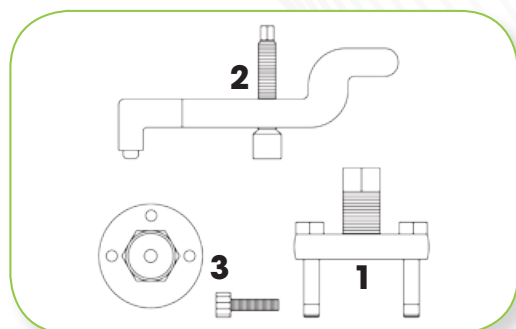
## Water pump removal set for VOLKSWAGEN 2.5 TDI PD



**Models:**  
Transporter, Transporter T5, Touareg

**Engine:** 2,5 TDI PD  
**Engine codes:** AXD, AXE, BAC, BLJ, BLK, BNZ, BPC, BPD

CODE	
FG 192/VW6B	



CODE	DESCRIPTION	
FG 192/VW6B-1	Gear Puller (For removing gear from coolant pump)	
FG 192/VW6B-2	Water pump puller	
FG 192/VW6B-3	Crankshaft alignment tool	

## Crankshaft pulley holding tool suitable for VOLVO DIESEL/PETROL



**Models:**  
C30, C70, S40, V50, C30 D5, C70 D5, S60, V70, XC70 Turbo

**Engine:** 2.0 D, 2.3 D, 2.4D, 2.5D, 2.8D, 2.9D

**Engine codes:** D5244T9, D5244T8, D5244T7, D5244T6, D5244T5, D5244T4, D5244T3, D5244T2, D5244T19, D5244T18, D5244T17, D5244T16, D5244T15, D5244T13, D5244T11, D5244T10, D5244T, D5204T7, B6304S3, B6294T, B6294S2, B6294S, B6294S, B5254T7, B5254T8, B5254T3, B5254T2, B5254T11, B5254T10, B5244T7, B5244SG2, B5244SG, B5244S7, B5244S5, B5234T9, B5234T8, B5234T7, B5234T3, B5204T5, B5204T4, B5204T3

CODE	
FG 192/VO1	



**NEW**



## Timing tool set VW/AUDI 2.7D, 3.0D TDi V6, 4.0D, 4.2D TDi V8 (Timing chain)



**Models:**

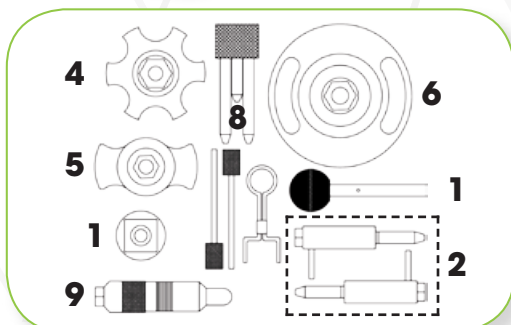
**AUDI:** A4, A4 Cabrio, A6, A6 allroad, A5 Coupe/Cabriolet, A5 Sportback, A8, Q7, Q5, A5 Coupe/Cabriolet

**Engines:** 2.7TDI, 2.7TDI CR, 3.0TDI, 3.0TDI CR, 4.0TDI CR, 4.2TDI CR

**Engine code:** BPP, BSG, CAMA, CAMB, CANA, CANB, CANS, CAND, CGKA, CGKB, ASB, BKN, BMK, BMZ, BNG, BUG, CAPA: CASA, CASB, CCLA, CCMA, CCWA, CCWB, CDTA, CDTB, CDUC, CDYA, CDYB, CDYC, CJGA, CJGC, CKVB, CKVC, CLAA, CLAB, CLZB, ASE, BVN, CDSB, CCFA, BTR CLAA, CLAB, CLZB, ASE, BVN, CDSB, CCFA, BTR

CODE	
FG 192/VW12	

CODE	DESCRIPTION
FG 192/VW12-1	Crankshaft turning tool (TYPE 1)
FG 192/VW12-2	Camshaft locking pin (2 pcs)
FG 192/VW12-3	Chain tensioner piston locking pin (Ø3.3mm) - (2pcs)
FG 192/VW12-4	Camshaft holding/alignment tool
FG 192/VW12-5	Camshaft sprocket holding tool
FG 192/VW12-6	Crankshaft turning tool (TYPE 2)
FG 192/VW12-7	Timing chain tensioner locking pin (3 pcs)
FG 192/VW12-8	High-pressure fuel pump sprocket locking tool
FG 192/VW12-9	Crankshaft locking tool
FG 192/VW12-10	Balancer shaft/high-pressure fuel pump locking tool





## High pressure pump sprocket remover for Hyundai/Kia

### Model:

*Hyundai:* Matrix; Accent/Excel; Getz; i10; Elantra; i30; i20; ix35; ix20; i40; i20 Coupe; Tucson

*Kia:* Cerato; Rio; Picanto; Cee'd; Pro-Cee'd; Soul; Venga; Sportage; Carens; Optima

**Engine:** 1.1 CRDi; 1.4 CRDi; 1.5 CRDi; 1.6 CRDi; 1.7 CRDi

**Engine code:** D3FF; D3FA; D4FC; D4FA; D4FB-H (U2); D4FB-L (U2); D4FB-H (U1); D4FB

CODE	
FG 192/H17	

**NEW**



## Timing tools for Honda 1.6-3.0 SOHC/DOHC

### Models:

Civic; Accord; Prulde; Shuttle; Odyssey

**Engine:** 1.6, 1.8, 2.0, 2.2; 2.3; 3.0

### Engine codes:

**1.6:** B16A2

**1.8:** F18A3, F18B2, F18B4

**2.0:** F20AF, F20B3, F20B5, F20B6, F20B7, F20Z1, F22Z2, F22B5, F22B8, F22A2, H22A5, H22A7, H22A8

**2.3:** F23A7, F23Z5, H23A2, H23A3

**3.0:** J30A1

CODE	
FG 192/HO5	



## Water pump wrenches 41mm for Chevrolet, Daewoo

### Models:

*Chevrolet:* Aveo, Cruze, Kalos, Lacetti, Nubira, Tacuma/Rezzo,

*Daewoo:* Kalos, Lacetti, Lanos, Nexia/Cielo/Racer, Nubira, Tacuma/Rezzo

**Engine:** 1.4, 1.5, 1.6, 1.8

**Engine codes:** F14D3, F16D3, A16DMS, G15MF, A15MF, F14S3, A15DM, A15SMS, A16DM, F18N

CODE	
FG 192/DW2	



## Belt tensioner tools for Hyundai, Mitsubishi e Proton

### Models:

*Hyundai:* Lantra/Elantra; Sonata; Santa Fe; Trajet

*Mitsubishi:* 3000 GT; Colt; Lancer; Carisma; Space Star; Pajero Pinin; Galant; Space runner; Grandis; Triton

*Proton:* Persona; 418; Satria; Wira; M21 Coupe

**Engine:** 1.6, 1.8, 2.0, 2.4, 3.0, 3.5

### Engine codes:

**1.6:** 4G61, G4-R - **1.8:** 4G67, 4G93, 4G93P, G4-N

**2.0:** 4G63, 4G94, G4CP, G4JP, G4-P - **2.4:** 4G64, 4G69, G4JS

**3.0:** 6G72 - **3.5:** 6G74

CODE	
FG 192/HI5	





## Timing tools for Toyota, Lexus



### Models:

**Toyota:** 4-Runner, Auris, Avensis, Camry, Celica, Corolla, Corolla Verso/CombiVan, Dyna, Hiace, Hilux, Landcruiser, Landcruiser/Prado, MR2, Picnic/SportVan, Previa, Prius, RAV4, Starlet, Tarago, Verso, Verso/Sportsvan, Vienta, Yaris

**Lexus:** GS, IS, LS, LX, RX, SC

### Engine:

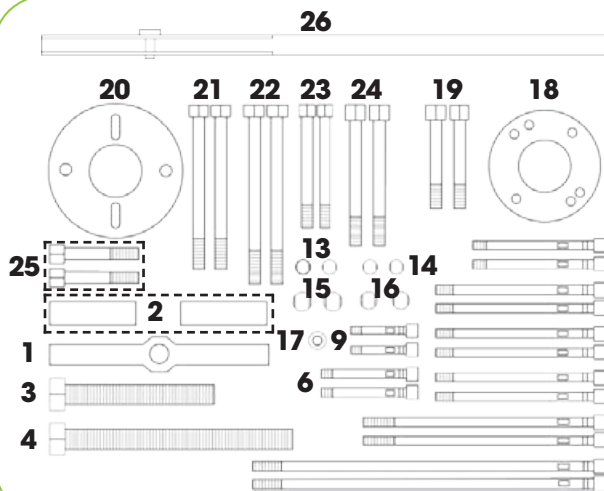
1.0, 1.3, 1.4, 1.6, 2.0, 2.2, 2.4, 2.5, 2.7, 2.8, 3.0, 3.4, 3.5, 4.7

### Engine codes:

1SZ-FE, 2SZ-FE, 4G15, 4G93, 2ZR-FAE, 1ZZ-FE, 2AD-FHV, 2AD-FTV, 1AD-FTV, 1CD-FTV, 1MZ-FE, 4E-FE, 2L, 3ZZ-FE, 4ZZ-FE, 3L, 2TR-FE, 2KD-FTV, 2L-T, 1GR-FE, 5VZ-FE, 5L, 2ZR-FE

CODE	
FG 192/TY45	

CODE	DESCRIPTION
FG 192/TY45-1	Camshaft sprocket puller
FG 192/TY45-2	Legs for item n.1 (2 pezzi)
FG 192/TY45-3	100 mm pressure bolt for item n.1
FG 192/TY45-4	150 mm pressure bolt for item n.1
FG 192/TY45-5	M5x100 screw (2 pcs)
FG 192/TY45-6	M8x50 screw (2 pcs)
FG 192/TY45-7	M8x100 screw (2 pcs)
FG 192/TY45-8	M8x150 screw (2 pcs)
FG 192/TY45-9	M6x30 screw (2 pcs)
FG 192/TY45-10	M6x100 screw (2 pcs)
FG 192/TY45-11	M8x75 screw (2 pcs)
FG 192/TY45-12	M8x225 screw (2 pcs)
FG 192/TY45-13	M10x1.25 adaptor (2 pcs)
FG 192/TY45-14	M10x1.5 adaptor (2 pcs)
FG 192/TY45-15	M12x1.25 adaptor (2 pcs)
FG 192/TY45-16	M12x1.5 adaptor (2 pcs)
FG 192/TY45-17	Connector
FG 192/TY45-18	Crankshaft pulley puller
FG 192/TY45-19	M8x65 screw for item n.18 (2 pcs)
FG 192/TY45-20	Crankshaft pulley puller
FG 192/TY45-21	M8x106 screw for item n.20 (2 pcs)
FG 192/TY45-22	M8x116 screw for item n.20 (2 pcs)
FG 192/TY45-23	M6x80 screw for item n.20 (2 pcs)
FG 192/TY45-24	M8x88 screw for item n.20 (2 pcs)
FG 192/TY45-25	M8x25 screw for item n.20 (2 pcs)
FG 192/TY45-26	Universal handle



## Camshaft pulley and Crankshaft pulley holder for Toyota and Lexus



### Models:

**Lexus:** GS; LS; LX; RX

**Toyota:** Auris; Avensis; Corolla; Aygo; Celica; Corolla Verso/CombiVan

### Engine:

1.0; 1.3; 1.4; 1.6; 2.0; 2.2; 2.4; 2.5; 2.7; 2.8; 3.0; 3.4; 3.5; 4.7

### Engine codes:

1UZ-FE; 1MZ-FE; 3MZ-FE; 3UZ-FE; 4ZZ-FE; 1CD-FTV; 1ZZ-FE; 3ZZ-FE; 2ZZ-GE; 2KD-FTV; 2KD-FTV H; 2KD-FTV L; 1KD-FTV; 2UZ-FE; 2SZ-FE

CODE	
FG 192/TY15	



**Dial gauge holder**



CODE	M	L1/mm	L/mm	
FG 192/PM	14x1.25	43	230	



**Dial gauge**



CODE	Range	Resolution	
FG 192/CO	0-8mm	0.01mm	



**Wrench for pulley puller**

CODE	L/mm	Ø mm	
FG 184/CP	400	14	



**Removing/installing tool for stretch belts**

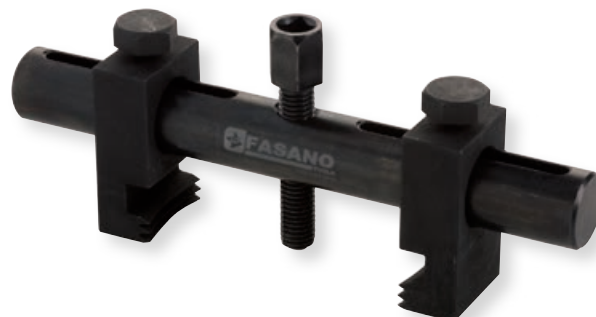
CODE	
FG 192/CE	

## RIBBED DRIVE PULLEYS PULLERS



- Depth: 100mm
- Adjustable ultra slim jaws

CODE	CAPACITY	
FG 181/PM	45-175mm	



- Step throat: 3.56mm
- Adjustable jaws

CODE	CAPACITY	
FG 181/PS	30 - 157mm	



## Set for locking of pulley puller

CODE	
FG 184/BP	



## Timing chain splitting and fitting tool kit

CODE	
FG 184/S24	



## Belt tensioner wrench FIAT, Ford, Citroen, Peugeot

CODE	
FG 184/FT1	

**NEW**

## Damper pulley puller holder wrenches

CODE	Ø/mm	L/mm	
FG 184/B13	13	470	
FG 184/B15	15	470	
FG 184/B16	16	470	
FG 184/B17	17	470	
FG 184/B19	19	470	

## Set of damper pulley puller holder wrenches

CODE	CONTENT	
FG 184/S5	13, 15, 16, 17, 19mm	



**Torx**



CODE	CONTENT	
FG 184TX/S5	E10, E12, E14, E16, E18	

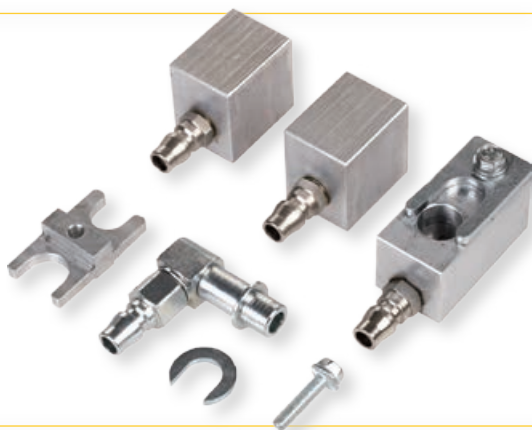
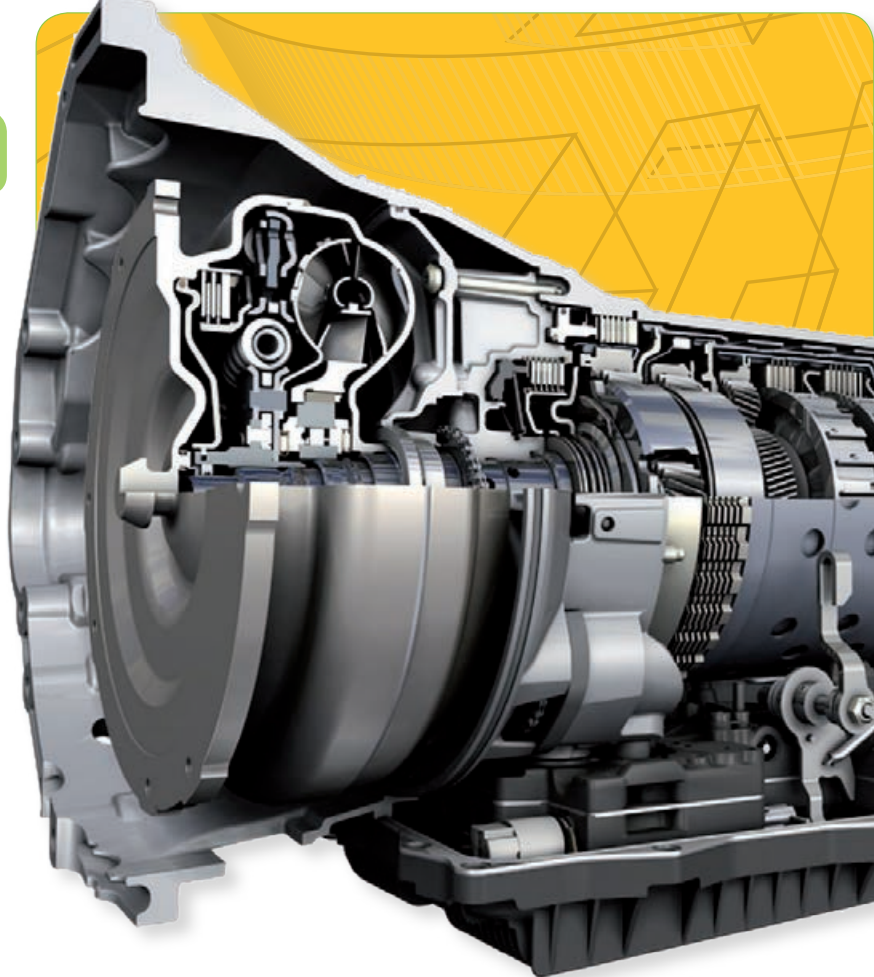


# AUTOMATIC TRANSMISSIONS

The ever-increasing number of vehicles equipped with automatic transmission pushed FASANO TOOLS has an intense R&D activity dedicated to the development of a specific program for the maintenance and revision of automatic transmissions.

The proposal includes all the fittings needed to change gear oil and all the specific pullers for the various maintenance operations.

A special TOOL FINDER posted on the website [www.fasanotools.com](http://www.fasanotools.com) allows easy identification of the fitting or the right tool according to the type of vehicle and / or gearbox to operate.



## Automatic transmission fitting for BMW, Volvo, Mercedes-Benz, Audi, Renault, SAAB, Ford

### Application:

09D; 0C8; AF33-5; AF40; AISIN TR60-SN; O9E; AW55-50SN; TR-60SN; 722.9; ZF6HP

CODE	
FG 193/R1	

**NEW**



## Automatic transmission fitting for BMW, Audi, Renault, SAAB, Ford, Range-Rover, Jaguar

### Application:

09D; 0C8; AF33-5; AF40; AISIN TR60-SN; O9E; AW55-50SN; TR-60SN; 722.9; ZF6HP

CODE	
FG 193/R2	

**NEW**



## Automatic transmission fitting for AUDI, Volkswagen, Jeep

### Application:

ZF5HP; OB5; O9L; OAW; A500; O1V

CODE	
FG 193/R3	

**NEW**



**Automatic transmission fitting for Audi, Porsche, Opel, Subaru, Mazda, Citroen, Renault, Alfa Romeo, Lancia**

**Application:**

AW55-50SN; AF40; TF-81SC; ZF5HP; 6L80; 6L90; TF-80SC; AF21; TF-80SD

<b>CODE</b>	
FG 193/R4	

**NEW**



**Automatic transmission fitting for Audi, Volkswagen, Porsche, Lexus, Mitsubishi**

**Application:**

O9G; TF-60SN; O9M; ZF5HP; TF-63SN

<b>CODE</b>	
FG 193/R6	

**NEW**



**Automatic transmission fitting for Jeep, Fiat, Chrysler, Mercedes-Benz, Subaru**

**Application:**

4L60E; 4L65E; 41TE; 41AE; 62TE; WFC280; 5EAT

<b>CODE</b>	
FG 193/R7	

**NEW**



**Automatic transmission fitting for Audi, Mercedes-Benz, Mitsubishi**

**Application:**

R4A51; V4A51; V5A51; 42RE; 44RE; 45RFE; 5-45RFE; 722.6; 722.9

<b>CODE</b>	
FG 193/R8	

**NEW**



**Automatic transmission fitting for Jaguar, Mercedes-Benz, Ssangyong**

**Application:**

722.6; 722.3; 722.4; 722.7

<b>CODE</b>	
FG 193/R9	

**NEW**







## Automatic transmission fitting for Jaguar, Mercedes-Benz, Mitsubishi, Ssangyong

### Application:

722.6; 722.3;  
722.4; 722.7

CODE	
FG 193/R10	

**NEW**



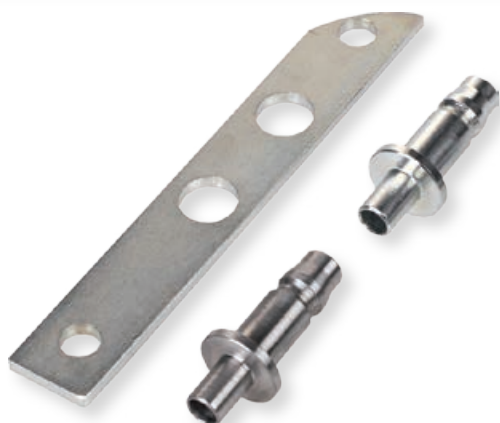
## Automatic transmission fitting for Jaguar, Ford, Mazda

### Application:

5R55E; 5R55S;  
5R55N; 5R55W

CODE	
FG 193/R11	

**NEW**



## Automatic transmission fitting for Volkswagen, Audi, Mitsubishi

### Application:

O9E; O9L; ZF6HP

CODE	
FG 193/R13	

**NEW**



## Automatic transmission fitting for Ford, Jeep, Dodge

### Application:

ZF9HP (9SP)

CODE	
FG 193/R14	

**NEW**



## Automatic transmission fitting for Hyundai, Toyota, Kia, Mitsubishi, Isuzu

### Application:

A340; A340E; A340H; A341E; A343F; AW 30-40LE;  
AW30-40LS; A5HF1; F5A51; F5AH1; F4A42 /B; TZ10

CODE	
FG 193/R15	

**NEW**



## Automatic transmission fitting for Mercedes-Benz e Renault

**Application:**  
K7A240; K7A350;  
K7X350; 7DCT300

<b>CODE</b>	
FG 193/R16	

**NEW**



## Automatic transmission fitting for JEEP

**Application:**  
45RFE; 5-45RFE

<b>CODE</b>	
FG 193/R17	

**NEW**



## Automatic transmission fitting for JEEP, FIAT, Alfa Romeo, Opel, Citroen

**Application:**  
AF33-5; 09G; 09M;  
TF-80SC (AF40); TF-80SD (AF40)

<b>CODE</b>	
FG 193/R18	

**NEW**



## Automatic transmission fitting for FIAT, Citroen, Peugeot, Renault

**Application:**  
AL4; DP0

<b>CODE</b>	
FG 193/R19	

**NEW**



## Automatic transmission fitting for Audi, Volkswagen, Seat, Skoda

**Application:**  
DQ250 (02E);  
DQ500 (OBH)

<b>CODE</b>	
FG 193/R20	

**NEW**





## Automatic transmission fitting for Renault, Mitsubishi, Nissan

### Application:

JF613E;  
RE0F06A

CODE	
FG 193/R21	

**NEW**



## Automatic transmission fitting for Mitsubishi

### Application:

R4A51;  
R5A51

CODE	
FG 193/R22	

**NEW**



## Automatic transmission fitting for JEEP, DODGE, Opel

### Application:

42RE; 44RE; 45RFE;  
A500; 5-45RFE

CODE	
FG 193/R24	

**NEW**



## Automatic transmission fitting for Ford, Renault, Peugeot, Volvo

### Application:

6DCT250; 6DCT450/WD;  
6DCT451; DD

CODE	
FG 193/R25	

**NEW**



## Automatic transmission fitting for Fiat, JEEP, Land-Rover

### Application:

ZF09HP

CODE	
FG 193/R26	

**NEW**



## Automatic transmission fitting for Toyota, Suzuki, Mazda

Application:  
K410-411

CODE	
FG 193/R27	

**NEW**



## Automatic transmission fitting for AUDI e BMW

Application:  
OB5; OAW; O8HP

CODE	
FG 193/R28	

**NEW**



## Automatic transmission fitting for Audi, BMW, Jaguar, Land-Rover, Alfa Romeo, Jeep, Iveco

Application:  
ZF8HP45; ZF8HP50; ZF8HP55; ZF8HP55AF;  
ZF8HP65A; ZF8HP70; ZF8HP90; ZF8HP75H

CODE	
FG 193/R31	

**NEW**



## Automatic transmission fitting for BMW, MINI, Volvo

Application:  
AWF8F45 (TG-81LS)

CODE	
FG 193/R32	

**NEW**



Set of 3pcs  
universal plates

**NEW**

CODE	
FG 193/R34	



Set of 3pcs  
universal extensions  
(Ø 10, 13, 15mm)

**NEW**

CODE	
FG 193/R35	



## Set of STANDARD automatic transmission fittings

### CONTENT:

- FG 193/R1
- FG 193/R2
- FG 193/R3
- FG 193/R4
- FG 193/R6
- FG 193/R7
- FG 193/R8
- FG 193/R9
- FG 193/R10
- FG 193/R11
- FG 193/R13
- FG 193/R14
- FG 193/R15
- FG 193/R18
- FG 193/R20
- FG 193/R24
- FG 193/R31
- FG 193/R34
- FG 193/R35



<b>CODE</b>	
FG 193/S19	

**NEW**

## Set of OPTIONAL automatic transmission fittings

### CONTENT:

- FG 193/R16
- FG 193/R17
- FG 193/R19
- FG 193/R21
- FG 193/R22
- FG 193/R25
- FG 193/R26
- FG 193/R27
- FG 193/R28
- FG 193/R32



<b>CODE</b>	
FG 193/S10	

**NEW**



## Mounting/Dismounting tools for automatic transmissions 0AW MULTITRONIC

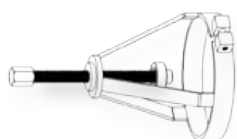
Model: 0AW Multitronic

Applications: Audi



<b>CODE</b>	
FG 193/AT1	

**NEW**



*Secondary shaft pulley puller*

<b>CODE</b>	
FG 193/AT1-1	



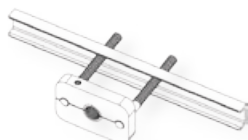
*Mounting tool for sprocket-wheel axle*

<b>CODE</b>	
FG 193/AT1-2	



*Puller for sprocket-wheel axle*

<b>CODE</b>	
FG 193/AT1-3	



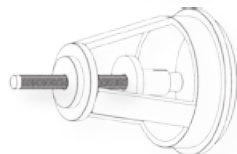
*Clutch shaft puller*

<b>CODE</b>	
FG 193/AT1-4	



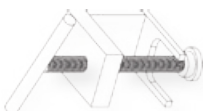
*Socket wrench for secondary bolt*

<b>CODE</b>	
FG 193/AT1-5	



*Mounting tool for double seal*

<b>CODE</b>	
FG 193/AT1-6	



*Sensor puller*

<b>CODE</b>	
FG 193/AT1-7	



## Shaft holder for automatic transmission 0AW MULTITRONIC

<b>CODE</b>	
FG 193/AT1-8	

**NEW**





## Mounting/Dismounting tools for automatic transmissions 722.6

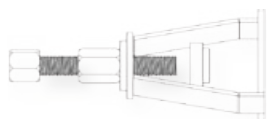
Automatic transmission model: 722.6

Applications: Mercedes-Benz; Jaguar; Jeep; Ssangyong; Porsche; Chrysler



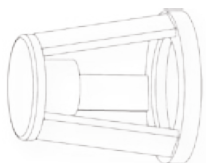
<b>CODE</b>	
FG 193/AT2	

**NEW**



*Bearing's extractor from water's pump stator*

<b>CODE</b>	
FG 193/AT2-1	



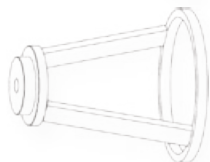
*Mounting tool for stator's water pump bearing*

<b>CODE</b>	
FG 193/AT2-2	



*Piston's spring extractor for B1 Clutch group*

<b>CODE</b>	
FG 193/AT2-3	



*Piston's spring extractor for B2&K3 group*

<b>CODE</b>	
FG 193/AT2-4	



*Piston's extractor for K2 group*

<b>CODE</b>	
FG 193/AT2-5	



*Piston's extractor for K1 group*

<b>CODE</b>	
FG 193/AT2-6	



*Mounting tool for water pump bush*

<b>CODE</b>	
FG 193/AT2-7	



*Mounting tool for stator's bush*

<b>CODE</b>	
FG 193/AT2-8	



**Planetary shaft holder for automatic transmission 722.6**

<b>CODE</b>	
FG 193/AT2-9	

**NEW**



**Mounting/Dismounting tools for automatic transmissions 722.8**

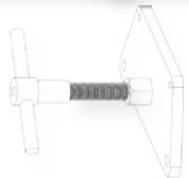
Automatic transmission model: 722.8

Applications: Mercedes-Benz



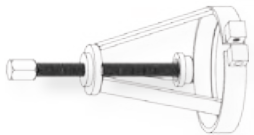
<b>CODE</b>	
FG 193/AT3	

**NEW**



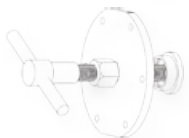
*Primary shaft pulley puller*

<b>CODE</b>	
FG 193/AT3-1	



*Secondary shaft pulley puller*

<b>CODE</b>	
FG 193/AT3-2	



*Secondary shaft pulley puller*

<b>CODE</b>	
FG 193/AT3-3	



*Socket wrench for secondary shaft nut*

<b>CODE</b>	
FG 193/AT3-4	



*Holder for secondary shaft bearing*

<b>CODE</b>	
FG 193/AT3-5	

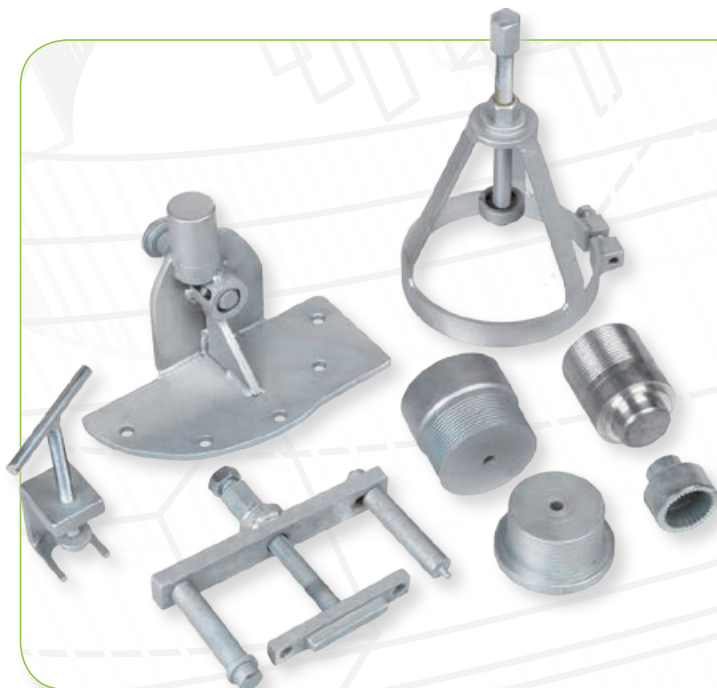




## Mounting/Dismounting tools for automatic transmissions 01J MULTITRONIC

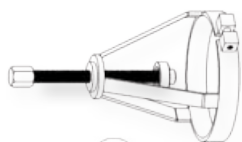
Automatic transmission model: 01J Multitronic

Applications: Audi



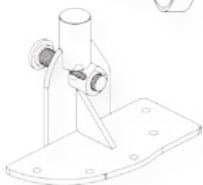
CODE	
FG 193/AT4	

**NEW**



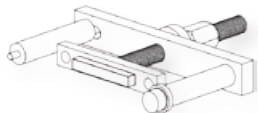
*Secondary shaft pulley puller*

CODE	
FG 193/AT4-1	



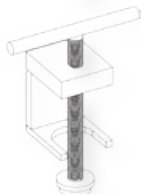
*Secondary shaft sprocket-wheel pulley puller*

CODE	
FG 193/AT4-2	



*Joint puller*

CODE	
FG 193/AT4-3	



*Primary shaft sensor pulley puller*

CODE	
FG 193/AT4-4	



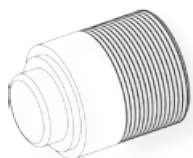
*Chiave a bussola per dado albero secondario*

CODE	
FG 193/AT4-5	



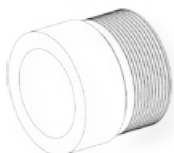
*Socket wrench for secondary shaft nut*

CODE	
FG 193/AT4-6	



*Seal bush*

CODE	
FG 193/AT4-7	



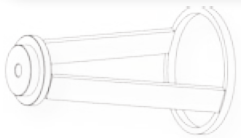
*Seal bush for secondary shaft sprocket-wheel*

CODE	
FG 193/AT4-8	

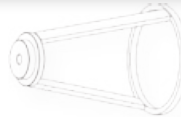
## Kit of spring compressor for automatic transmissions

<b>CODE</b>	
FG 193/UN	

**NEW**



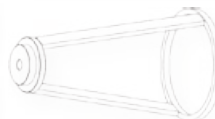
<b>CODE</b>	<b>mm</b>	
FG 193/UN-1	100x169H	



<b>CODE</b>	<b>mm</b>	
FG 193/UN-7	113x168H	



<b>CODE</b>	<b>mm</b>	
FG 193/UN-2	62x161H	

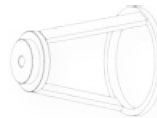


<b>CODE</b>	<b>mm</b>	
FG 193/UN-8	111x201H	

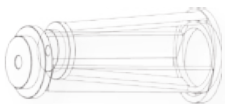
<b>CODE</b>	<b>mm</b>	
FG 193/UN-9	111x122H	



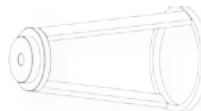
<b>CODE</b>	<b>mm</b>	
FG 193/UN-3	70x323H	



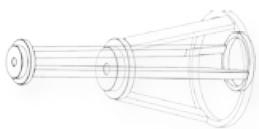
<b>CODE</b>	<b>mm</b>	
FG 193/UN-10	98x123H	



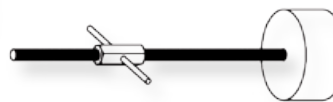
<b>CODE</b>	<b>mm</b>	
FG 193/UN-4	80x168H	



<b>CODE</b>	<b>mm</b>	
FG 193/UN-11	90x161H	



<b>CODE</b>	<b>mm</b>	
FG 193/UN-5	105x123H	
<b>CODE</b>	<b>mm</b>	
FG 193/UN-6	105x161H	



<b>CODE</b>	
FG 193/UN-12	

## Tool holder for DSG clutch group

<b>CODE</b>	
FG 194/TS	

**NEW**

## Mounting/Dismounting tool for DCT clutch group

**NEW**

<b>CODE</b>	
FG 193/DCT	





## HAMMER WITH ROUND FLAT FACE AND PEIN

CODE	Ø mm	
FG 130/TP	40	



## HAMMER WITH ROUND AND SQUARE FLAT FACES

CODE	Ø mm	□/mm	
FG 130/TQ	40	38mm	



## HAMMER WITH ROUND FLAT AND SQUARE MILLED FACE

CODE	Ø mm	□/mm	
FG 130/TZQ	40	38mm	



## HAMMER WITH ROUND FLAT FACE AND POINT PEIN

CODE	Ø mm	
FG 130/TPP	40	



## GENERAL DOLLY

CODE	DIMENSIONS	
FG 131/TR	70x62x64mm	



## CURVED DOLLY

CODE	DIMENSIONS	
FG 131/TV	59x130x40mm	



## HEEL DOLLY

CODE	DIMENSIONS	
FG 131/TB	30x78x60mm	



## TOE DOLLY

CODE	DIMENSIONS	
FG 131/TC	30x120x58mm	



## BODY BLADE HOLDER WITH FLAT BLADE

CODE	LIMA	L/mm	
FG 131/PL9	9"	360	
FG 131/PL12	12"	360	

## FLAT BLADE

CODE	LIMA	L/mm	
FG 131/PL9R	9"	360	
FG 131/PL12R	12"	360	

## BODY BLADE HODLER

CODE	L/mm	
FG 131/PL	360	



## CURVED ANGLE SPOON - light model

CODE	L/mm	
FG 131/SC	290	



## FLAT ANGLE SPOON - light model

CODE	L/mm	
FG 131/SCZ	260	



## DOUBLE ENDED SPOON

CODE	DEGREE	L/mm	
FG 131/SCP	40°	420	



## LONG DOUBLE ENDED SPOON

CODE	L/mm	
FG 131/SCG	520	



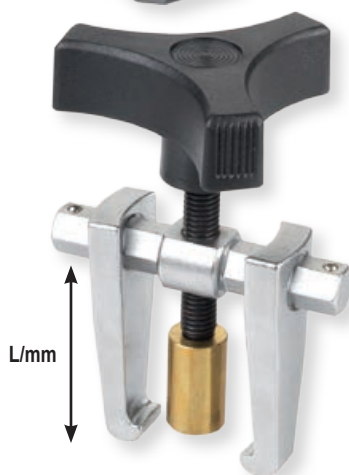
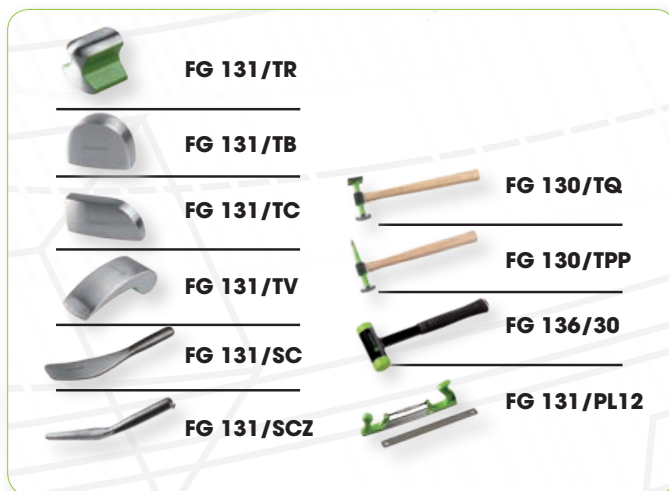
**Set 7 tools for car body repair shops**

CODE	
FG 130/S7	



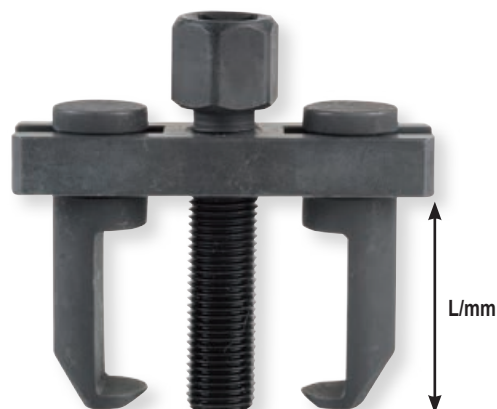
**Set 10 tools for car body repair shops**

CODE	
FG 130/S10	



**Windshield wiper arm remover**

CODE	Ø/mm	L/mm	
FG 165/BC1	30-50	42	

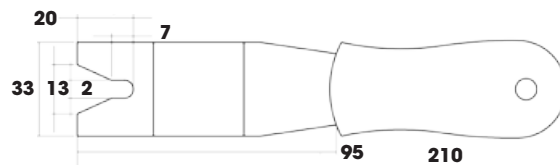


**Windshield wiper arm remover**

CODE	Ø/mm	L/mm	
FG 165/BC2	30-57	36	

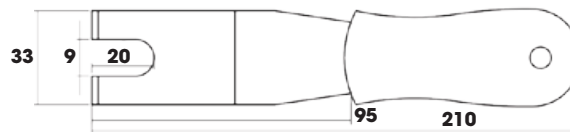
**Trim pin remover with INOX blade**

CODE	
FG 186/A1	



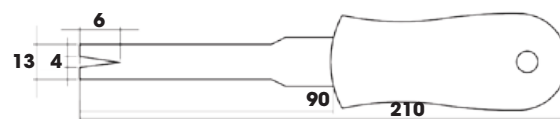
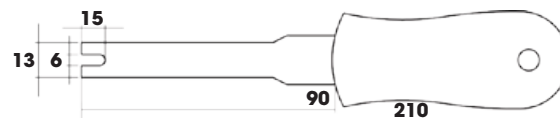
**Trim pin remover with INOX blade**

CODE	
FG 186/A2	



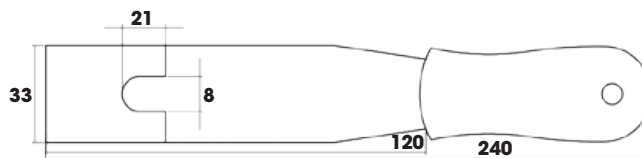
**Trim pin remover with INOX blade**

CODE	
FG 186/A3	
FG 186/A4	



**Trim pin remover with INOX blade**

CODE	
FG 186/A5	

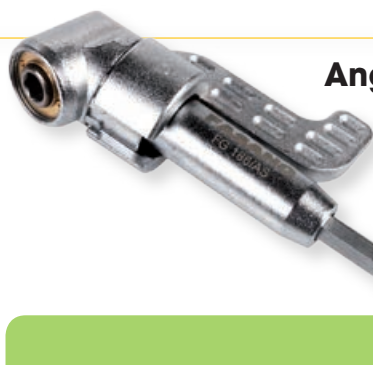


**Set of pcs trim pin remover with folded INOX blade**

CODE	CONTENT
FG 186/S5	FG 186/A1, FG 186/A2, FG 186/A3, FG 186/A4, FG 186/A5

**Set of 5pcs Nylon trim pin removers**

CODE	
FG 186P/S5	

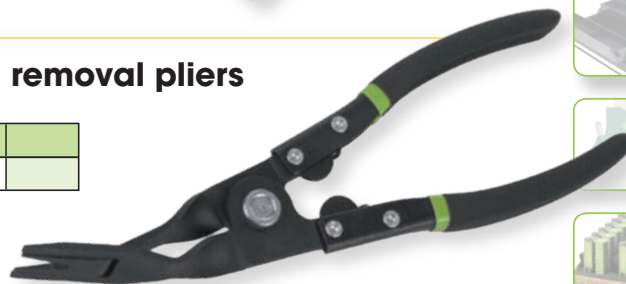


**Angle screwdriver**

CODE	
FG 186/AS	

**Trim pin removal pliers**

CODE	
FG 186/LP	





## Suction cups

- Capacity: 30Kg

CODE	Ø mm	L/mm	
FG 187/K30	117	380	



## Suction cup

- Capacity: 130Kg  
 - Useful for truck and bus  
 - Supplied in ABS box

CODE	Ø mm		
FG 187/K130	254		



## Suction cup

- Capacity: 30Kg  
 - *Aluminum body*

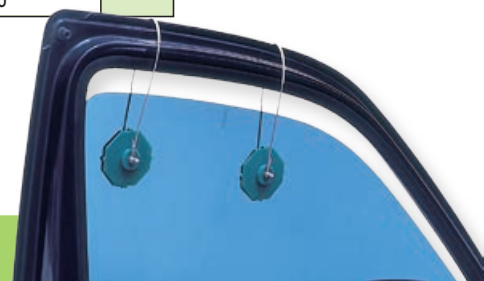
CODE	Ø mm		
FG 187/K25	117		



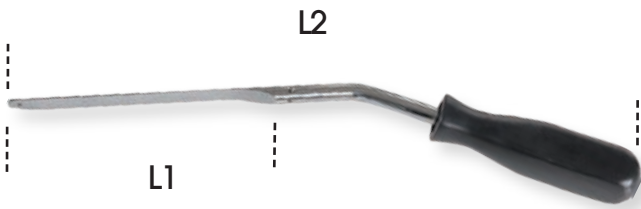
## Set of 4 suction cups for car glasses

- Capacity: 10Kg

CODE	Ø mm	L/mm	
FG 187/K10	78	400	



# AUTOMOTIVE TOOLS



**Lever for car window**

CODE	L1/mm	L2/mm	
FG 187/GU	145	345	



**Set of 2pcs wire handles**

CODE	
FG 187/IM	



**Stainless steel wire**

CODE	Lenght	
FG 187/W50	50 Metri	



**Set of 7pcs special tools for car glasses**

CODE	Content	
FG 187/S7	7pcs	



**Vacuum dent puller, with 3 suction cups**

CODE	
FG 187/TB	



**Air vacuum dent puller, with 3 suction cups**

CODE	
FG 187/PN	



**PNEUMATIC**





To complete the big range of special tools for here it's possible to find all the special items for Truck.

Also in this case, after a long period of R&S, FASANO Tools offer a complete range of tools for timing and for hub nuts



### Engine crankshaft rotator Mercedes Benz e MAN *- double gear*

**Models:**

Merceder-Benz 6, 8, 10 cilindri  
MAN 12 cilindri

**Engine code:**

401, 404, 407, 409, 421, 424, 444, 427, 447

CODE	
FG 197/MB1	



### Engine crankshaft rotator Mercedes Benz e MAN *- triple gear*

**Models:**

Merceder-Benz Actros e Atego;  
MAN 5, 6, 8 cilindri

CODE	
FG 197/MB2	



### Engine crankshaft rotator MAN

**Engine code:**

D20..., D25..., D26..., D28...

CODE	
FG 197/MA1	



1/2"

### Engine crankshaft rotator SCANIA

**Models:**  
SCANIA (dopo il 1996)

CODE	
FG 197/SC1	



### Engine crankshaft rotator VOLVO

**Engine code:**  
D9A, D12, D16C

CODE	
FG 197/VO1	



1/2"

46 mm

### Engine flywheel turning tool VOLVO and RENAULT

**Models:**  
HGV Volvo  
RENAULT

**Engine code:**  
MP8, MP10 (FH, D13A520)

CODE	
FG 197/VO2	



### Engine crankshaft rotator IVECO

- *double gear*

**Engine code:** 8040.25.45, 8060.25.45, 8260, 8210.42  
8280, 8460, 190.38, 190.42

CODE	
FG 197/IV1	

### Engine crankshaft rotator IVECO

- *double gear*

**Engine code:** 8360.46, F3A, F3B

CODE	
FG 197/IV2	



24 mm

### Engine crankshaft rotator DAF

**Engine code:**  
65CF, 75CF, 85CF, 95XF, CF75,  
CF85, F65, F75, F85, F95, XF95F95, XF95

CODE	
FG 197/DA1	



1/2"

### Engine crankshaft rotator DAF

**Engine code:**  
XF105 Euro5

CODE	
FG 197/DA2	

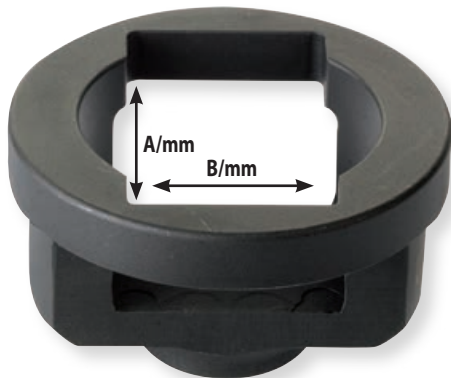


# AUTOMOTIVE TOOLS



**Octagonal impact socket for locking hub nuts**

CODE	Ø mm	Drive	
FG 194/A80	80	41mm	
FG 194/A95	95	3/4"	
FG 194/A100	100	3/4"	
FG 194/A109	109	41mm	
FG 194/A115	115	3/4"	
FG 194/A120	120	41mm	



**Impact socket for BPW locking hub nuts**

CODE	Ø mm	A/mm	B/mm	Drive	
FG 194/B65	65	65	40	3/4"	
FG 194/B80	80	80	50	3/4"	



**Impact socket for BPW locking hub nuts**

CODE	Ø mm	Drive	
FG 194/B96	96	3/4"	
FG 194/B111	111	41mm	



**Impact socket for BPW locking hub nuts**

CODE	Ø mm	Drive	
FG 195/A95	95	36mm	
FG 195/A98	98	36mm	



**Impact socket for BPW locking hub nuts**

CODE	Ø mm	Drive	
FG 194/A105	105	1"	



**1"dr. hub nut socket  
- IVECO Daily**

CODE	Ø mm	Drive	
FG 630/B65	65	1"	



**Impact socket for  
BPW locking hub nuts  
- IVECO EURO CARGO**

CODE	Ø mm	Drive	
FG 195/A85	85	3/4"	



**Impact socket for rectangular  
nuts MERCEDES, DAF, MAN**

CODE	AxB mm	Attaque	Application	
FG 195/R56	56 x 71	3/4"	Mercedes / DAF	
FG 195/R60	60 x 76	3/4"	Mercedes / MAN	



**Impact socket  
for axle nuts**

CODE	Ø mm	Attaque	
FG 195/A110	110	36mm	



**Ball joint  
puller**

CODE	
FG 197/BP	

A/mm: 60  
B/mm: 26  
Ø/mm: 39  
L/mm: 155



**Impact socket  
for leaf spring**

CODE	Ø mm	Attaque	
FG 196/A37	37x28	3/4"	
FG 196/A46	46x34	3/4"	
FG 196/A56	56x34	3/4"	



**Impact socket  
for leaf spring  
- VOLVO**

CODE	Ø mm	
FG 196/AV	27mm	



**Set of clutch  
alignment tools**

Centerings' sizes:  
- Ø 36-45m  
- Ø 42-52m

CODE	
FG 180/S6	



**Drier filter wrenches**

CODE	Ø /mm	L band	
FG 197/F1	120 - 140	75 mm	
FG 197/F2	125 - 145	40 mm	