

Application

- Check-in
- Repair and maintenance
- Wheel alignment
- Testing equipment

Approvals

- All models:
 - Renault
- PL 2.40 F 460:
 - Jaguar
 - Landrover
 - Volkswagen Group
- PL 2.40 Fn 460:
 - BMW/Mini,
 - Opel

Profilift 2.40 F/FN 460

Electro-hydraulic twin-ram lift, 4 t, with platforms

Description:

Steel cassette:

- Waterproof steel cassette

Hydraulic unit:

- Hard-chrome plated cylinder
- Flexible synchronization and safety system
- Corrosion-free guiding elements
- Pump unit with immersed motor
- Ecological hydraulic fluid
- Pneumatic emergency lowering
- Programmable pushbutton control unit

Superstructure:

- A set of platforms with drive-on ramps and stops
- High-quality anti-slip coating in RAL 7016

Free-wheel device Fn:

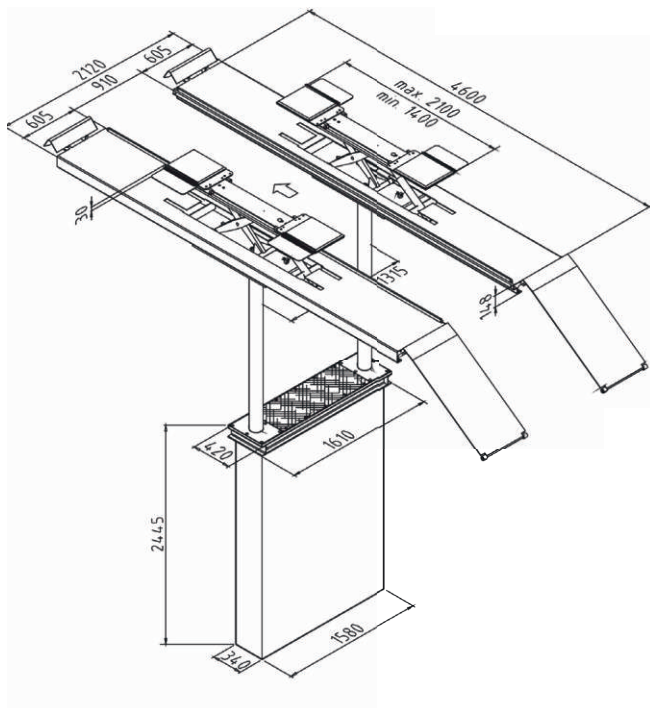
- Free-wheel device with adjustability lengthwise
- Rubber-coated, non-skid pads
- Low minimum height

Standard colours

- Platforms: Grey RAL 7016
- Free-wheel device: Grey RAL 7016
- Ramps: Red RAL 3020

Technical data	
Lifting capacity	4,000 kg
Lifting height	1,960 mm
Working height	2,110 mm
Cylinder diameter	2 x 140 mm
Distance between cylinders	1,315 mm
Lifting / lowering time	app. 30 Sec.
Foundation depth	2,625 mm
Pump unit	3.0 kW
Ecological hydraulic fluid	app. 10 l
Voltage	230/400 V - 50 Hz - 16 A

Platforms	
Total length	app. 5,700 mm
Usable length of platform	4,600 mm
Wheel base	app. 4,100 mm
Platform width	605 mm
Distance between platforms	910 mm
Drive-on height	150 mm



Free-wheel device (Fn 460)	
Lifting capacity	3,500 kg
Length	1,400 - 2,100 mm
Lifting height	370 mm + Rubber pads
Drive-on height	25 mm
Lifting / lowering time	app. 8 Sec.
Operation	elektro-hydraulic

Scissor jack (F 460 - Option)	
Lifting capacity	2,000 Kg
Lifting height	250 mm
Operation	Air-hydraulic
Lift positions	Middle / 780 - 1,610 mm

Play detector (optional extra)	
Max. axle load	2,500 Kg
Drive-over height	150 mm
Operation	hydraulic

autop Maschinenbau GmbH
 Sandkampstraße 90
 48432 Rheine | Germany
 ☎ +49 5971 8602-02
 📠 +49 5971 8602-25
 ✉ info@autopstenhøj.com

STENHOJ A/S
 Barrit Langgade 188-190
 7150 Barrit | Denmark
 ☎ +45 76821-330
 📠 +45 76821-331
 ✉ info@autopstenhøj.com

Versions:

Steel cassette:

- Zinc-coated
- Coated
- Self-carrying

Installation:

- Superstructure on floor
- Superstructure in floor with or without flush floor device
- Ceiling installation

Optional extras:

Superstructure platform:

- Supporting legs for wheel alignment
- Aluminium coating
- Scissor jack
- Play detector
- Lighting set

Superstructure Fn:

- XY-pads

Special colours available on request!

