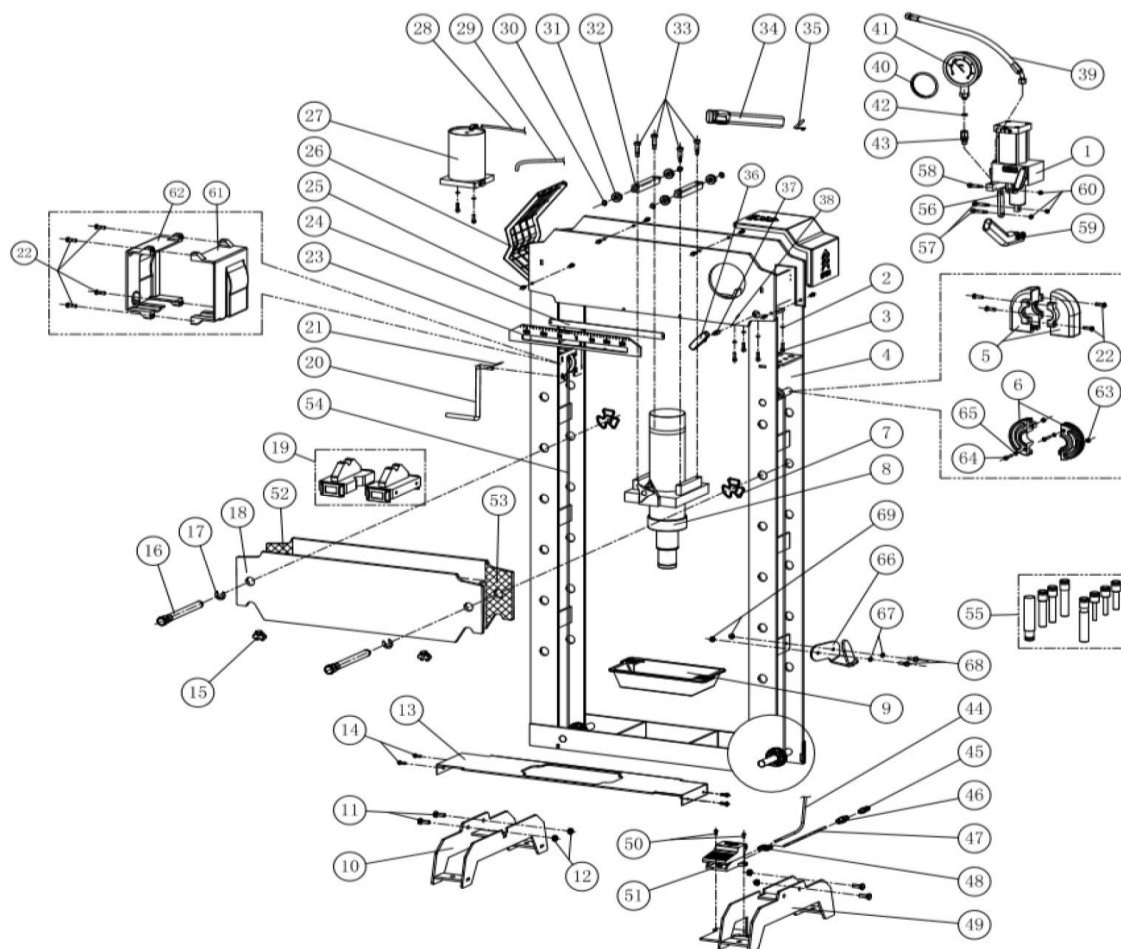


Product code: FG 732/30TP



| REF. | CODE | DESCRIPTION | Q.TY/EACH TOOL |
|------|----------------|---------------------------------------|----------------|
| 1 | FG 732/30TP-1 | Oil pump assy | 1 |
| 2 | FG 732/30TP-2 | Spring washer | 6 |
| 3 | FG 732/30TP-3 | Inner hexagonal screw | 6 |
| 4 | FG 732/30TP-4 | Frame assy | 1 |
| 5 | FG 732/30TP-5 | Pulley protection cover assy | 1 |
| 6 | FG 732/30TP-6 | Pulley protection cover assy | 3 |
| 7 | FG 732/30TP-7 | Shift shaft ring | 2 |
| 8 | FG 732/30TP-8 | Cylinder assy | 1 |
| 9 | FG 732/30TP-9 | Spare parts tray | 1 |
| 10 | FG 732/30TP-10 | Foot base assy | 1 |
| 11 | FG 732/30TP-11 | Set of 4 pcs of outer hexagonal screw | 1 |
| 12 | FG 732/30TP-12 | Nylon locking screw nut | 4 |
| 13 | FG 732/30TP-13 | Plate protection cover | 1 |



Fasangas S.r.l. - Via Di Vittorio, 29/31 - 73010 Surbo (Lecce) – ITALIA - Tel.:+39.0832.362097/364265 - Fax: +39.0832.364453
 http: www.fasanotools.com - e-mail: info@fasanotools.com

AZIENDA CERTIFICATA ISO 9001:2015

| REF. | CODE | DESCRIPTION | Q.TY/EACH TOOL |
|------|------------------|----------------------------------|----------------|
| 14 | FG 732/30TP-14 | Outer hexagonal screw | 4 |
| 15 | FG 732/30TP-15 | Wirerope lock | 2 |
| 16 | FG 732/30TP-16-1 | Gear shaft | 2 |
| | FG 732/30TP-16-2 | Pin rubber sleeve | 2 |
| 17 | FG 732/30TP-17 | E-clamp | 2 |
| 18 | FG 732/30TP-18 | Working bench assy | 1 |
| 19 | FG 732/30TP-19 | V-Block assy | 1 |
| | | Block baffle | 2 |
| | | Rotating shaft for block baffle | 2 |
| | | Machine screw | 2 |
| | | Spring pin | 2 |
| | | Spring pin | 2 |
| 20 | FG 732/30TP-20 | Winch handle | 1 |
| 21 | FG 732/30TP-21 | Cylindrical pin | 1 |
| 22 | FG 732/30TP-22 | Pulley protection cover assy | 1 |
| 23 | FG 732/30TP-23 | Scale | 1 |
| 24 | FG 732/30TP-24 | Layering | 1 |
| 25 | FG 732/30TP-25 | 8 pcs of plastic plug | 1 |
| 26 | FG 732/30TP-26 | Dust-proof cover | 2 |
| 27 | FG 732/30TP-27 | Oil tank Assy | 1 |
| 28 | FG 732/30TP-28 | PU pipe | 1 |
| 29 | FG 732/30TP-29 | Nylon pipe | 1 |
| 30 | FG 732/30TP-30 | Set of 4 pcs of axle clip spring | 1 |
| 31 | FG 732/30TP-31 | Bearing | 4 |
| 32 | FG 732/30TP-32 | Cylinder moving shaft | 2 |
| 33 | FG 732/30TP-33 | Set of 4 pcs of shoulder screw | 1 |
| 34 | FG 732/30TP-34 | Handle assy-1 | 1 |
| | | Handle plastic sleeve | 1 |
| 35 | FG 732/30TP-35 | V-spring | 1 |
| 36 | FG 732/30TP-36 | Pressure relief knob(female) | 1 |
| 37 | FG 732/30TP-37 | Pressure-relief rod2 | 1 |
| 38 | FG 732/30TP-38 | Spring pin | 1 |
| 39 | FG 732/30TP-39 | Oil pipe assy | 1 |
| 40 | FG 732/30TP-40 | Gauge protection strip | 1 |
| 41 | FG 732/30TP-41 | Pressure gauge | 1 |
| 42 | FG 732/30TP-42 | Gauge joint connector | 1 |
| 43 | FG 732/30TP-43 | Locking O-ring | 1 |
| 44 | FG 732/30TP-44 | PU pipe | 1 |

| REF. | CODE | DESCRIPTION | Q.TY/EACH TOOL |
|------|----------------|---|----------------|
| 45 | FG 732/30TP-45 | Air inlet connector | 1 |
| 46 | FG 732/30TP-46 | Quick plug straight through connector | 1 |
| 47 | FG 732/30TP-47 | PU pipe | 1 |
| 48 | FG 732/30TP-48 | Quick plug straight connector | 2 |
| 49 | FG 732/30TP-49 | Foot base assy | 1 |
| 50 | FG 732/30TP-50 | Inner hexagonal round head screw | 2 |
| 51 | FG 732/30TP-51 | Foot pedal valve | 1 |
| 52 | FG 732/30TP-52 | Workbench wear plate(right) | 2 |
| 53 | FG 732/30TP-53 | Workbench wear plate(left) | 2 |
| 54 | FG 732/30TP-54 | wirerope | 1 |
| 55 | FG 732/30TP-55 | Pin(2T) | 1 |
| | | Pin(3T) | |
| | | Pin(6T) | |
| | | Pin(8T) | |
| | | Pin(10T) | |
| | | Pin(12T) | |
| | | Pin(13T) | |
| 56 | FG 732/30TP-56 | Pump connecting rod | 1 |
| 57 | FG 732/30TP-57 | Set of 2 pcs of shoulder screw | 1 |
| 58 | FG 732/30TP-58 | Shoulder screw | 1 |
| 59 | FG 732/30TP-59 | Handle2 assy | 1 |
| 60 | FG 732/30TP-60 | Set of 3 pcs of nylon locking screw nut | 1 |
| 61 | FG 732/30TP-61 | Winch protection cover B | 1 |
| 62 | | Winch protection cover A | 1 |
| 63 | FG 732/30TP-63 | Set of 2 pcs of thin hexagon screw nut | 1 |
| 64 | FG 732/30TP-64 | Set of 2 pcs of inner hexagonal screw | 1 |
| 65 | FG 732/30TP-65 | Set of 2 pcs of spring washer | 1 |
| 66 | FG 732/30TP-66 | Handle fixed support | 1 |
| 67 | | Spring washer | 2 |
| 68 | | Outer hexagonal screw | 2 |
| 69 | | Outer hexagonal screw | 2 |