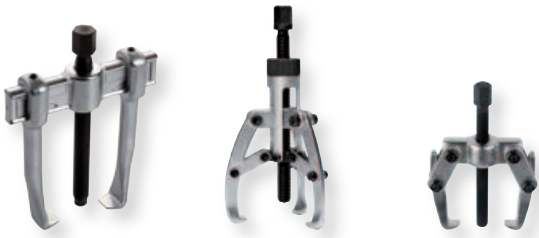
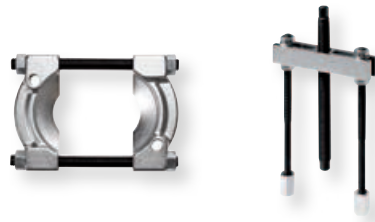


## UNIVERSAL PULLERS



2 Jaws pullers	198
Heavy duty outside pullers with 2 jaws	198
Heavy duty outside pullers with 3 jaws	198
Small puller with 2 floating jaws	198

## SEPARATORS AND BEAMS



Separators	200
Beams	200

## PULLERS WITH 3 JAWS



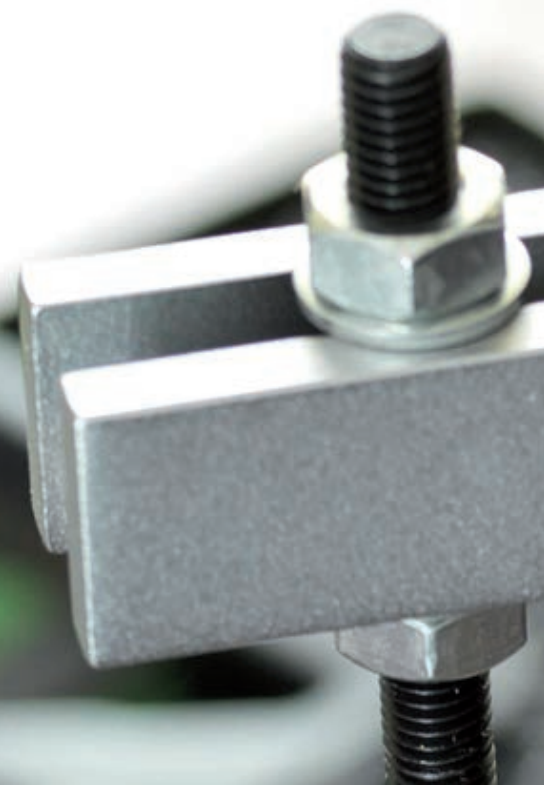
Outside 3 jaws pullers	199
Inside 3 jaws pullers	199

## EXPANDERS



Internal extractors	200
Pullers for internal extractors	200
Internal expanders	201

8



---

## EXTRACTORES FOR BROKEN SCREWS

---



Extractores for broken screws

202



Tapered extractores for broken screws

202

---

## NUT SPLITTER

---



Nut splitter

203



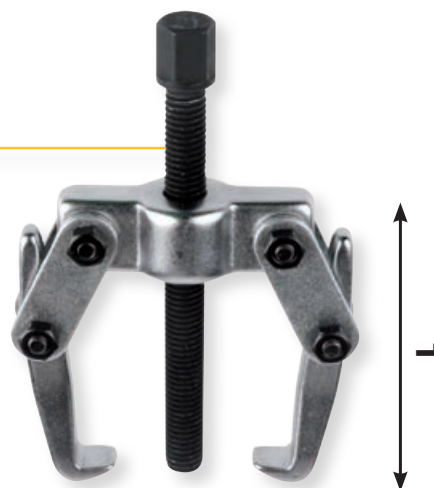


## 2 jaws puller

CODE	Opening min-max	H jaw	
FG 162/1	27 - 90mm	100 mm	
FG 162/2	27 - 135mm	100 mm	
FG 162/3	35 - 155mm	150 mm	
FG 162/4	35 - 190mm	150mm	
FG 162/5	50 - 250mm	200mm	

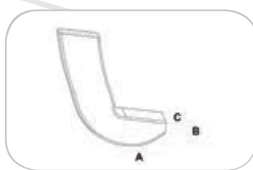
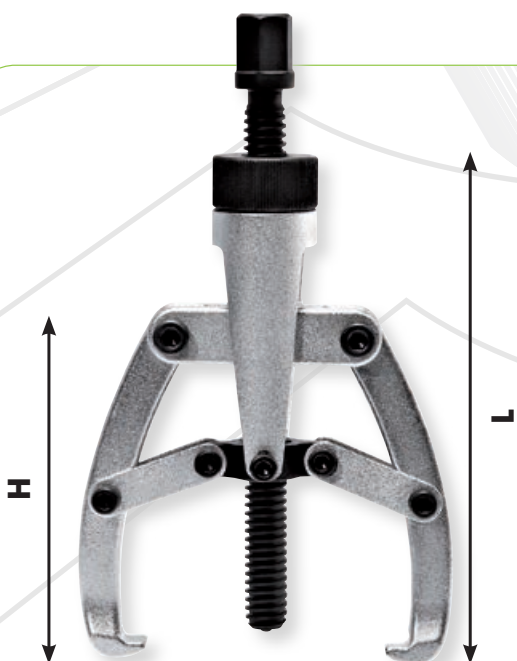
## Small puller with 2 floating jaws

CODE	Opening max	H jaw	
FG 162/ME	60 mm	85mm	



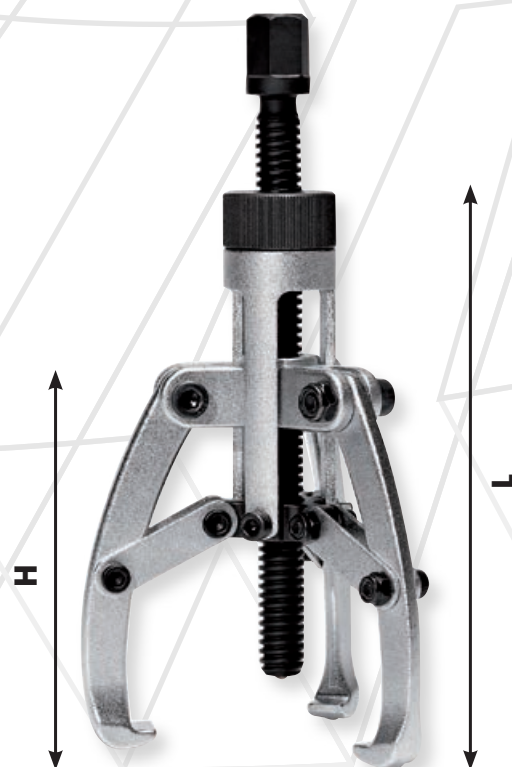
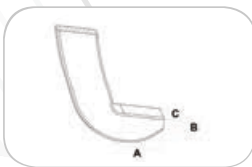
## Heavy duty outside puller with 2 jaws

CODE	CAPACITY	Opening min-max	AxBxC/mm	HxL/mm	
FG 160/1	2 Ton.	20 - 115mm	8x6x15	80x120	
FG 160/2	5Ton.	30 - 240mm	11x10x25	160x250	
FG 160/3	10Ton.	40 - 380mm	14x10x29	230x380	



## Heavy duty outside puller with 3 jaws

CODE	CAPACITY	Opening min-max	AxBxC/mm	HxL/mm	
FG 161/1	2 Ton.	28 - 112mm	8x6x15	80x120	
FG 161/2	5Ton.	40 - 243mm	11x10x25	160x250	
FG 161/3	10Ton.	46 - 370mm	14x10x29	230x380	



## Outside puller with 3 jaws



CODE	L min /mm	L max /mm	H/mm	
FG 163/1	7	140	147	
FG 163/2	10	180	200	
FG 163/3	20	260	250	



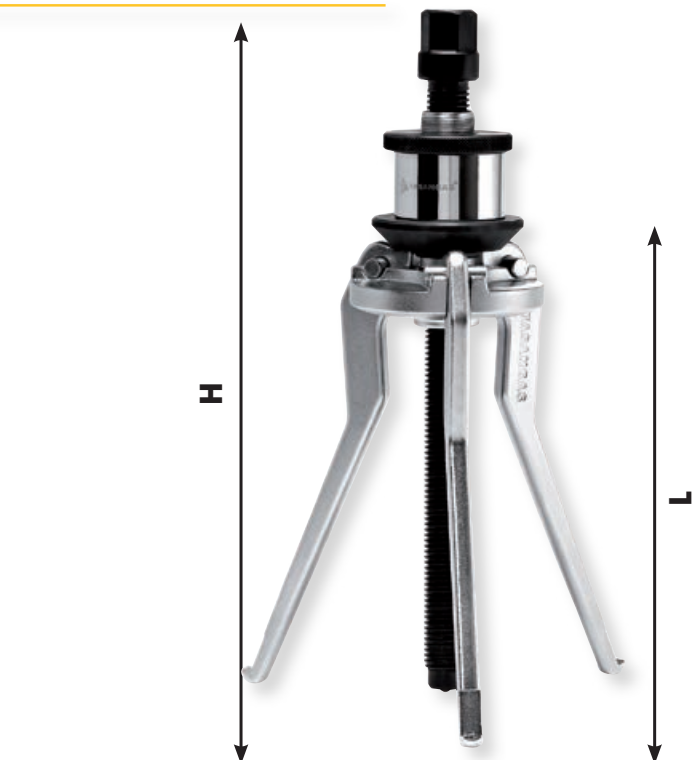
Set of 3 inside jaws for FG 163/...

CODE	FOR:	
FG 164/GR1	FG 163/1	
FG 164/GR2	FG 163/2	

## Inside puller with 3 jaws



CODE	L min /mm	L max /mm	H/mm	
FG 164/1	23	130	140	
FG 164/2	50	170	190	

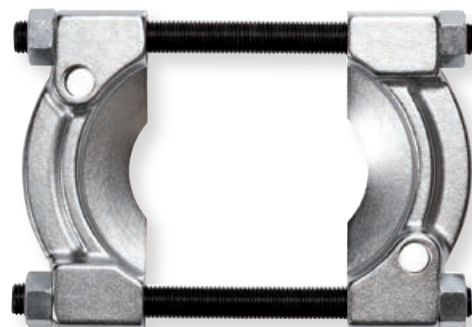


Set of 3 outside jaws for FG 164/...

CODICE	FOR:	
FG 163/GR1	FG 164/1	
FG 163/GR2	FG 164/2	

## Separator

CODE	Ømm MIN	Ømm MAX	L/mm
FG 166/1	5	50	60
FG 166/2	15	110	110
FG 166/3	15	150	150



## Beam

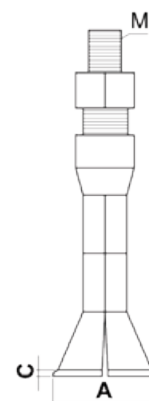
CODE	Ømm MIN	Ømm MAX	L/mm
FG 167/1	25	95	90
FG 167/2	40	120	180
FG 167/3	75	190	245
FG 167/4	80	280	300



COUPLING BEAMS - SEPARATORS	
FG 167/1	-
FG 167/2	FG 166/1
FG 167/3	FG 166/2
FG 167/4	FG 166/3

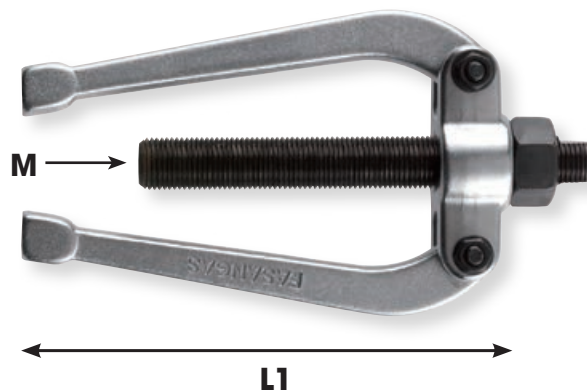
## Internal extractor

CODE	A/mm	M	C/mm
FG 182/ES1	8.6-9.6	M10	1.5
FG 182/ES2	13-18	M10	1.5
FG 182/ES3	21-23	M10	1.5
FG 182/ES4	25-29	M10	1.5
FG 182/ES5	27.2-27.6	M10	2.5
FG 182/ES6	36.5-37	M10	3.5
FG 182/ES7	43-51	M16	3.5



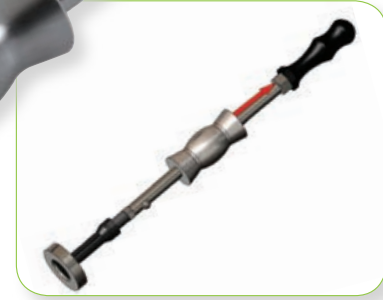
## Puller for internal extractor

CODE	Ø/mm	M	L1/mm
FG 182/EG1	35 - 75	M10	140
FG 182/EG2	60 - 140	M16	160



## Sliding hammer

CODE	L/mm	M	
FG 182/MI	390	M10	



## Set of internal extractors and accessories in ABS case

CODE	CONTENT	
FG 182/S10	FG 182/ES1 - FG 182/ES7 FG 182/EG1, FG 182/EG2 FG 182/MI	



## Form of internal extractors and accessories in ABS case

CODE	CONTENT	
FG 100/79	FG 182/ES1 - FG 182/ES7 FG 182/EG1, FG 182/EG2 FG 182/MI	



## Dummy ball bearing extractors

- Ømm: 5, 6, 8, 9, 11, 12.5

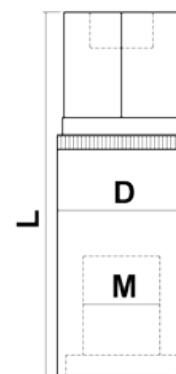
CODE	
FG 182/S14	

**NEW**



## EXTRACTOR FOR BROKEN SCREWS

CODE	M	■ - ◆	L/mm
FG 168/R6	6	1/4" - 21mm	60
FG 168/R7	7	1/4" - 21mm	60
FG 168/R8	8	1/4" - 21mm	60
FG 168/R9	9	1/4" - 21mm	69
FG 168/R10	10	1/4" - 21mm	69
FG 168/R10.5	10.5	1/4" - 21mm	69
FG 168/R12	12	1/4" - 21mm	69
FG 168/R14	14	- 24mm	73
FG 168/R16	16	- 24mm	73



**Set of 9pcs roller stud extractors for broken screws**

CODE	CONTENT
FG 168/S9	FG 168/R6, R7, R8, R9, R10, R10.5, R12, R14, R16

## TAPERED EXTRACTOR FOR BROKEN SCREWS

CODE	Ø/mm	A/mm
FG 168/F1	3-6	2.5
FG 168/F2	6-8	3.0
FG 168/F3	8-11	4.5
FG 168/F4	11-14	6.0
FG 168/F5	14-18	8.0
FG 168/F6	18-24	11.0
FG 168/F7	24-33	14.0
FG 168/F8	33-50	21.0



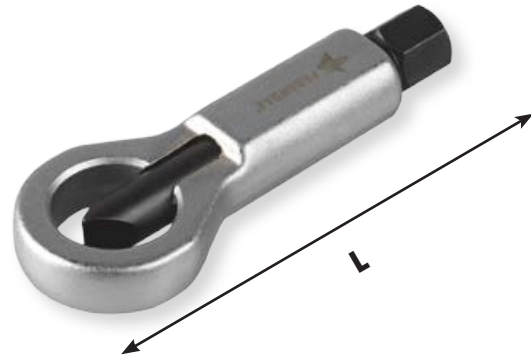
**Set of tapered extractors**

CODE	CONTENT
FG 168/FS5	FG 168/F1 - FG 168/F5
FG 168/FS8	FG 168/F1 - FG 168/F8



## NUT SPLITTER

CODE	Ø Max	L/mm	
FG 168/SD1	12mm	62	
FG 168/SD2	17mm	82	
FG 168/SD3	22mm	106	
FG 168/SD4	35mm	125	



### Set of 4pcs nut splitters in ABS case

CODE	CONTENT	
FG 168SD/S4	FG 168/SD1 - FG 168/SD4	



### Form of 4pcs nut splitters

CODE	CONTENT	
FG 100/78	FG 168/SD1 - FG 168/SD4	

## Internal expander

CODE	Ø/mm	L1/mm	L2/mm	
FG 182/TS1	29-44	51	132	
FG 182/TS2	38-64	64	164	
FG 182/TS3	54-89	77	215	

