

1

Combination wrenches



page 4

10

Air tools



page 210

2

Socket wrenches



page 40

11

Automotive



page 234

3

Screwdrivers & pliers



page 92

12

Battery tools



page 342

4

Insulated tools



page 136

13

Maintenance



page 346

5

Torque tools



page 158

14

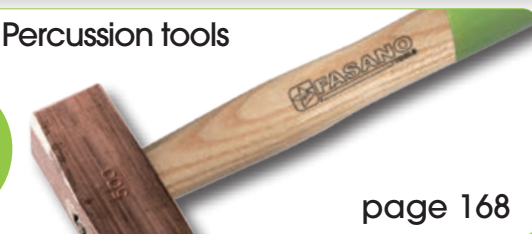
Plumbing tools



page 358

6

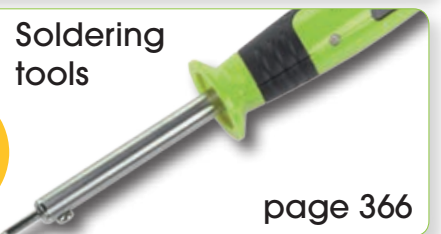
Percussion tools



page 168

15

Soldering tools



page 366

7

Cutting tools



page 178

16



page 370

8

Pullers



page 196

17

Tool bags



page 458

9

Measuring tools



page 204

18



page 478

# THE COMPANY



The company was founded in 1976 by the intuition of its founder Giuseppe Fasano, who in 2002 launched the brand **FASANO TOOLS** with the aim of creating an alternative brand in the world of professional tools.

Over the last 16 years, the company has reached an important capillarity at national level and has strengthened its position international presence, counting today's presence in 30 different countries around the world. The Headquarter is located in the city of Lecce, with an operational center of about 3,000mq2 inside the which are focused on production and logistics.



All **FASANO** tools are subject to strict quality control in order to guarantee a high level of reliability and durability over time. The business mission is particularly customer oriented and every need of his daily necessity.

The catalog consists of 6,000 references and each product **FASANO TOOLS** guarantees the constant availability of spare parts. Particular attention is also devoted to all compulsory and voluntary certification, with the respect of all international standards.



## COMBINATION WRENCHES



|                                |    |
|--------------------------------|----|
| Combination wrenches - mm      | 6  |
| 6PT combination wrenches - mm  | 8  |
| Universal combination wrenches | 10 |
| Combination wrenches - inch    | 12 |

## DOUBLE OPEN END WRENCHES



|                                       |    |
|---------------------------------------|----|
| Double open end wrenches - mm         | 14 |
| Double open end wrenches - extra flat | 16 |
| Double open end wrenches - inch       | 17 |
| Flare nut wrenches                    | 20 |

## COUBLE COMBINATION WRENCHES



|                                  |    |
|----------------------------------|----|
| 12PT double combination wrenches | 18 |
| Half-moon ring wrenches          | 19 |
| Torx double ring wrenches        | 19 |

## T-HANDLE WRENCHES



|                                  |    |
|----------------------------------|----|
| 6PT simple T-handle wrenches     | 26 |
| 6PT swivel T-Handle wrenches     | 27 |
| T-Handle wrenches with male ends | 28 |



## PIPE WRENCHES - TUBE WRENCHES



|                                   |    |
|-----------------------------------|----|
| Pipe wrenches                     | 21 |
| Tube wrenches - heavy duty series | 22 |
| Tube wrenches - light series      | 23 |

## SPECIAL GEAR WRENCHES



|                                       |    |
|---------------------------------------|----|
| Half-moon ring gear wrenches          | 36 |
| Gear wrenches - double flexible heads | 38 |
| Flexible gear wrenches                | 38 |

## GEAR WRENCHES



|  |    |
|--|----|
| Combination gear wrenches - reversible series    | 32 |
| Combination gear wrenches - no reversible series | 33 |
| Combination flexible gear wrenches               | 34 |

## SLOGGING WRENCHES - HOOK WRENCHES



|                            |    |
|----------------------------|----|
| Ring slogging wrenches     | 24 |
| Open end slogging wrenches | 24 |
| Hook wrenches              | 25 |



## 12point COMBINATION WRENCH - DIN 3113

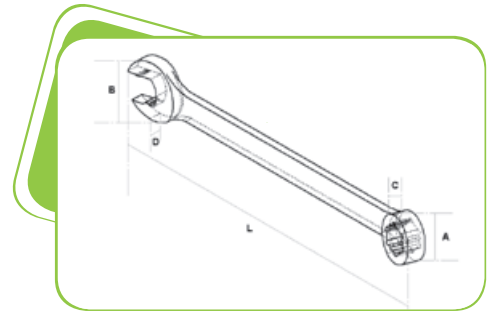
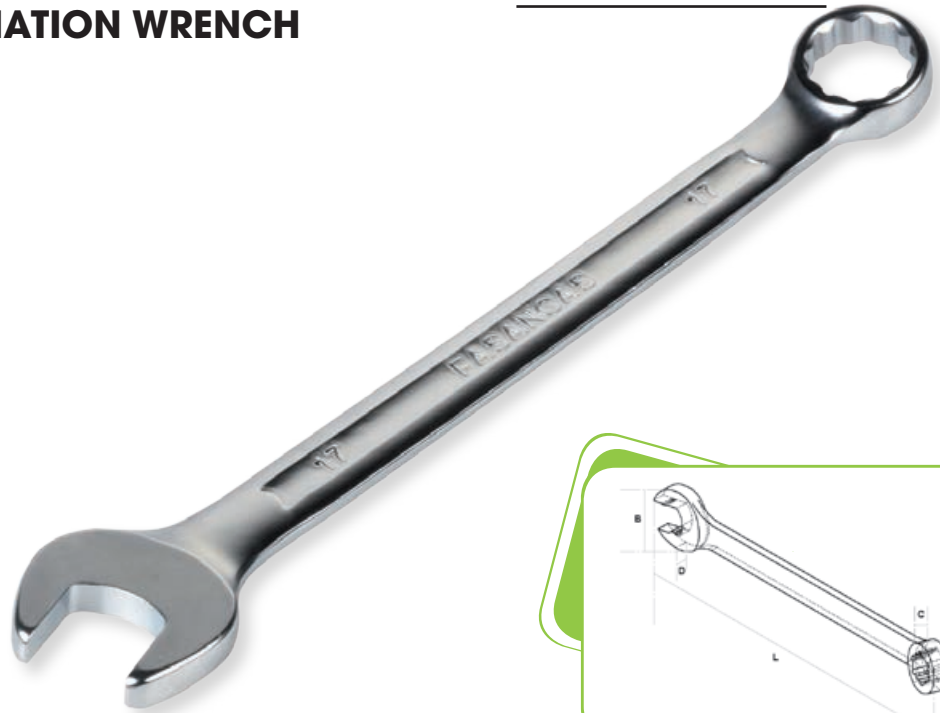
12PT

**→ USE**

hex and 12point nuts

**→ FINISH**

smooth satin



| CODE        | mm  | A/mm | B/mm | C/mm | D/mm | L/mm |
|-------------|-----|------|------|------|------|------|
| FG 600/B5.5 | 5.5 | 10.1 | 15.5 | 4.7  | 4.0  | 105  |
| FG 600/B6   | 6   | 10.1 | 15.5 | 4.7  | 4.0  | 105  |
| FG 600/B7   | 7   | 11.5 | 17.0 | 5.0  | 4.0  | 115  |
| FG 600/B8   | 8   | 12.8 | 19.2 | 5.5  | 4.5  | 125  |
| FG 600/B9   | 9   | 14.2 | 21.2 | 5.9  | 4.5  | 135  |
| FG 600/B10  | 10  | 15.6 | 23.2 | 6.5  | 5.0  | 145  |
| FG 600/B11  | 11  | 16.9 | 25.3 | 6.9  | 5.4  | 155  |
| FG 600/B12  | 12  | 18.3 | 27.2 | 7.3  | 5.5  | 165  |
| FG 600/B13  | 13  | 19.7 | 29.4 | 7.8  | 5.9  | 175  |
| FG 600/B14  | 14  | 21.2 | 31.5 | 8.3  | 6.2  | 185  |
| FG 600/B15  | 15  | 22.5 | 33.2 | 8.6  | 6.4  | 195  |
| FG 600/B16  | 16  | 24.0 | 34.7 | 8.9  | 6.7  | 205  |
| FG 600/B17  | 17  | 25.3 | 36.5 | 9.3  | 6.9  | 215  |
| FG 600/B18  | 18  | 26.8 | 38.7 | 9.9  | 7.2  | 225  |
| FG 600/B19  | 19  | 28.1 | 40.7 | 10.5 | 7.4  | 235  |
| FG 600/B20  | 20  | 29.7 | 43.1 | 10.9 | 7.7  | 245  |
| FG 600/B21  | 21  | 31.3 | 44.8 | 11.3 | 8.0  | 255  |
| FG 600/B22  | 22  | 32.6 | 46.9 | 11.5 | 8.2  | 265  |
| FG 600/B23  | 23  | 34.2 | 48.3 | 11.8 | 8.4  | 275  |
| FG 600/B24  | 24  | 35.5 | 50.4 | 12.1 | 8.7  | 285  |

| CODE       | mm | A/mm  | B/mm  | C/mm | D/mm | L/mm |
|------------|----|-------|-------|------|------|------|
| FG 600/B25 | 25 | 36.9  | 52.0  | 12.5 | 8.9  | 295  |
| FG 600/B26 | 26 | 38.2  | 53.6  | 12.8 | 9.2  | 305  |
| FG 600/B27 | 27 | 39.6  | 55.7  | 13.1 | 9.4  | 315  |
| FG 600/B28 | 28 | 40.9  | 57.6  | 13.3 | 9.7  | 325  |
| FG 600/B29 | 29 | 42.3  | 59.7  | 13.5 | 9.9  | 335  |
| FG 600/B30 | 30 | 43.7  | 61.8  | 13.7 | 10.1 | 345  |
| FG 600/B32 | 32 | 46.4  | 65.8  | 14.3 | 10.4 | 365  |
| FG 600/B34 | 34 | 48.8  | 69.2  | 15.0 | 10.7 | 380  |
| FG 600/B36 | 36 | 53.0  | 74.0  | 19.4 | 13.5 | 410  |
| FG 600/B38 | 38 | 56.0  | 77.0  | 20.4 | 15.0 | 430  |
| FG 600/B41 | 41 | 61.0  | 84.0  | 21.6 | 16.0 | 460  |
| FG 600/B46 | 46 | 66.0  | 92.0  | 23.0 | 17.0 | 500  |
| FG 600/B50 | 50 | 73.0  | 102.0 | 24.0 | 18.0 | 540  |
| FG 600/B55 | 55 | 85.0  | 118.0 | 28.0 | 18.0 | 560  |
| FG 600/B60 | 60 | 94.0  | 124.0 | 31.0 | 20.0 | 600  |
| FG 600/B65 | 65 | 107.0 | 144.0 | 31.0 | 22.0 | 680  |
| FG 600/B70 | 70 | 107.0 | 144.0 | 31.0 | 22.0 | 680  |
| FG 600/B75 | 75 | 112.0 | 149.0 | 36.0 | 25.5 | 730  |
| FG 600/B80 | 80 | 112.0 | 149.0 | 36.0 | 25.2 | 730  |



**FG 600**

# COMBINATION WRENCHES



## Set of combination wrenches in carton box

| CODE        | Pc | CONTENT   |
|-------------|----|---|
| FG 600/SC8  | 8  | 8, 10, 11, 13, 14, 17, 19, 22 mm  |
| FG 600/SC11 | 11 | 8, 10, 11, 12, 13, 14, 15, 16, 17, 18, 19 mm  |
| FG 600/SC17 | 17 | 6, 7, 8, 9, 10, 11, 12, 13, 14, 15, 16, 17, 18, 19, 20, 21, 22 mm                                 |
| FG 600/SC16 | 16 | 6, 7, 8, 10, 12, 13, 14, 16, 17, 19, 21, 22, 24, 27, 30, 32 mm                                    |
| FG 600/SC25 | 25 | 6, 7, 8, 9, 10, 11, 12, 13, 14, 15, 16, 17, 18, 19, 20, 21, 22, 23, 24, 25, 26, 27, 28, 30, 32 mm |



## Set of combination wrenches in nylon pouch

| CODE        | Pc | CONTENT                                     |
|-------------|----|---|
| FG 600/SP6  | 6  | 8, 10, 13, 14, 17, 19 mm                    |
| FG 600/SP9  | 9  | 8, 10, 11, 12, 13, 14, 15, 17, 19 mm        |
| FG 600/SP11 | 11 | 8, 9, 10, 11, 12, 13, 14, 15, 16, 17, 19 mm |



## Soft form of 14pcs combination wrenches

| CODE       | Pc | CONTENT   |
|------------|----|---|
| FG 100/03G | 14 | 6, 7, 8, 9, 10, 11, 12, 13, 14, 15, 16, 17, 18, 19 mm |



## Soft form of 18pcs combination wrenches

| CODE       | Pc | CONTENT  |
|------------|----|--|
| FG 100/03H | 18 | 6, 7, 8, 10, 11, 12, 13, 14, 16, 17, 18, 19, 21, 22, 24, 27, 30, 32 mm |



## Plastic tray of 14pcs combination wrenches

| CODE       | Pc | CONTENT   |
|------------|----|---|
| FG 102/03G | 14 | 6, 7, 8, 9, 10, 11, 12, 13, 14, 15, 16, 17, 18, 19 mm |



## Plastic tray of 18pcs combination wrenches

| CODE       | Pc | CONTENT  |
|------------|----|--|
| FG 102/03H | 18 | 6, 7, 8, 10, 11, 12, 13, 14, 16, 17, 18, 19, 21, 22, 24, 27, 30, 32 mm |



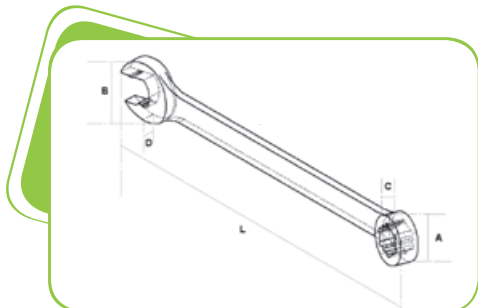
## HEXAGONAL COMBINATION NON-SLIP WRENCH, STRONG series

### → USE

hexagonal bolts, intacts or damaged until **70%** or **50%**

### → FINISH

mirror



NON-SLIP 70%

NON-SLIP 50%

| CODE       | mm | A/mm | B/mm | C/mm | D/mm | L/mm |
|------------|----|------|------|------|------|------|
| FG 600/C8  | 8  | 13.5 | 17.5 | 5.7  | 4.5  | 113  |
| FG 600/C9  | 9  | 15.0 | 19.6 | 6.2  | 5.2  | 117  |
| FG 600/C10 | 10 | 15.5 | 21.5 | 7.2  | 5.2  | 123  |
| FG 600/C11 | 11 | 17.5 | 23.5 | 7.2  | 5.3  | 135  |
| FG 600/C12 | 12 | 18.5 | 25.5 | 8.2  | 5.5  | 146  |
| FG 600/C13 | 13 | 20.5 | 27.5 | 8.2  | 6.0  | 158  |
| FG 600/C14 | 14 | 21.5 | 29.5 | 9.2  | 6.5  | 173  |
| FG 600/C15 | 15 | 22.5 | 31.5 | 9.2  | 7.0  | 183  |
| FG 600/C16 | 16 | 24.5 | 33.5 | 10.2 | 7.0  | 195  |
| FG 600/C17 | 17 | 25.5 | 35.5 | 10.2 | 7.9  | 215  |

| CODE       | mm | A/mm | B/mm | C/mm | D/mm | L/mm |
|------------|----|------|------|------|------|------|
| FG 600/C18 | 18 | 27.5 | 37.5 | 12.2 | 7.8  | 225  |
| FG 600/C19 | 19 | 28.5 | 39.5 | 12.2 | 8.7  | 242  |
| FG 600/C20 | 20 | 30.3 | 42.2 | 12.2 | 9.0  | 259  |
| FG 600/C21 | 21 | 31.3 | 44.0 | 12.2 | 9.0  | 271  |
| FG 600/C23 | 23 | 34.0 | 48.8 | 12.2 | 9.7  | 317  |
| FG 600/C24 | 24 | 34.3 | 49.1 | 11.2 | 10.1 | 317  |
| FG 600/C26 | 26 | 37.3 | 51.4 | 12.6 | 10.9 | 339  |
| FG 600/C27 | 27 | 39.4 | 56.0 | 12.1 | 12.2 | 362  |
| FG 600/C29 | 29 | 42.5 | 58.4 | 14.3 | 13.1 | 394  |
| FG 600/C30 | 30 | 42.7 | 58.5 | 14.3 | 13.1 | 394  |
| FG 600/C32 | 32 | 46.1 | 64.7 | 15.1 | 15.5 | 429  |



### Set of hexagonal NON-SLIP combination wrenches

| CODE         | Pz | CONTENT   |
|--------------|----|---|
| FG 600C/SC8  | 8  | 8, 10, 11, 13, 14, 17, 19, 22 mm  |
| FG 600C/SC11 | 11 | 8, 10, 11, 12, 13, 14, 15, 16, 17, 18, 19 mm  |
| FG 600C/SC16 | 16 | 8, 9, 10, 11, 12, 13, 14, 15, 16, 17, 18, 19, 20, 21, 23, 24 mm                     |
| FG 600C/SC21 | 21 | 8, 9, 10, 11, 12, 13, 14, 15, 16, 17, 18, 19, 20, 21, 23, 24, 26, 27, 29, 30, 32 mm |

### Set of hexagonal NON-SLIP combination wrenches

| CODE         | Pc | CONTENT                                     |
|--------------|----|---|
| FG 600C/SP6  | 6  | 8, 10, 13, 14, 17, 19 mm                    |
| FG 600C/SP9  | 9  | 8, 10, 11, 12, 13, 14, 15, 17, 19 mm        |
| FG 600C/SP11 | 11 | 8, 9, 10, 11, 12, 13, 14, 15, 16, 17, 19 mm |





# COMBINATION WRENCHES

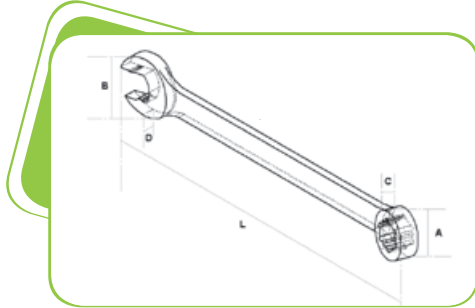
## HEXAGONAL COMBINATION NON-SLIP WRENCH, SLIM series

### → USE

hexagonal bolts, intacts or damaged until 70% or 50%

### → FINISH

mirror



| CODE       | mm | A/mm | B/mm | C/mm | D/mm | L/mm |
|------------|----|------|------|------|------|------|
| FG 600/D8  | 8  | 13.5 | 17.5 | 5.7  | 3.9  | 115  |
| FG 600/D9  | 9  | 14.0 | 19.0 | 7.0  | 4.2  | 118  |
| FG 600/D10 | 10 | 15.5 | 21.5 | 7.2  | 4.5  | 123  |
| FG 600/D11 | 11 | 17.5 | 23.5 | 7.2  | 4.8  | 135  |
| FG 600/D12 | 12 | 18.5 | 25.5 | 8.2  | 5.1  | 146  |
| FG 600/D13 | 13 | 20.5 | 27.5 | 8.2  | 5.4  | 158  |
| FG 600/D14 | 14 | 21.5 | 29.5 | 9.2  | 5.7  | 173  |
| FG 600/D15 | 15 | 22.5 | 31.5 | 9.2  | 6.0  | 183  |
| FG 600/D16 | 16 | 24.5 | 33.5 | 10.2 | 6.3  | 195  |
| FG 600/D17 | 17 | 25.5 | 35.5 | 10.2 | 6.7  | 215  |
| FG 600/D18 | 18 | 27.5 | 37.5 | 12.2 | 7.0  | 225  |
| FG 600/D19 | 19 | 28.5 | 39.5 | 12.2 | 7.3  | 242  |
| FG 600/D20 | 20 | 29.2 | 42.6 | 10.9 | 7.6  | 245  |

| CODE       | mm | A/mm | B/mm | C/mm | D/mm | L/mm |
|------------|----|------|------|------|------|------|
| FG 600/D21 | 21 | 30.8 | 44.3 | 11.3 | 7.9  | 255  |
| FG 600/D23 | 23 | 33.7 | 47.8 | 11.8 | 8.3  | 275  |
| FG 600/D24 | 24 | 35.0 | 49.9 | 12.1 | 8.5  | 285  |
| FG 600/D25 | 25 | 36.4 | 51.5 | 12.5 | 8.7  | 295  |
| FG 600/D26 | 26 | 37.7 | 53.1 | 12.8 | 8.9  | 305  |
| FG 600/D27 | 27 | 39.1 | 55.2 | 13.1 | 9.1  | 315  |
| FG 600/D28 | 28 | 40.4 | 57.1 | 13.3 | 9.3  | 325  |
| FG 600/D29 | 29 | 41.8 | 59.2 | 13.5 | 9.5  | 335  |
| FG 600/D30 | 30 | 43.2 | 61.3 | 13.7 | 9.7  | 345  |
| FG 600/D32 | 32 | 45.9 | 65.3 | 14.3 | 9.9  | 365  |
| FG 600/D34 | 34 | 45.9 | 65.3 | 14.3 | 10.1 | 365  |
| FG 600/D35 | 35 | 48.5 | 68.7 | 15.0 | 10.5 | 380  |
| FG 600/D36 | 36 | 52.5 | 73.5 | 19.4 | 10.7 | 410  |
| FG 600/D38 | 38 | 55.5 | 76.5 | 20.4 | 11.3 | 430  |
| FG 600/D41 | 41 | 60.5 | 83.5 | 21.6 | 12.0 | 460  |



### Set of hexagonal NON-SLIP combination wrenches

| CODE         | Pc | CONTENT   |
|--------------|----|---|
| FG 600D/SC8  | 8  | 8, 10, 11, 13, 14, 17, 19, 21 mm  |
| FG 600D/SC11 | 11 | 8, 10, 11, 12, 13, 14, 15, 16, 17, 18, 19 mm  |
| FG 600D/SC16 | 16 | 8, 9, 10, 11, 12, 13, 14, 15, 16, 17, 18, 19, 20, 21, 23, 24 mm                               |
| FG 600D/SC22 | 22 | 6, 7, 8, 9, 10, 11, 12, 13, 14, 15, 16, 17, 18, 19, 20, 21, 23, 24, 25, 26, 27, 28, 30, 32 mm |

### Set of hexagonal NON-SLIP combination wrenches

| CODE         | Pc | CONTENT                                     |
|--------------|----|---|
| FG 600D/SP6  | 6  | 8, 10, 13, 14, 17, 19 mm                    |
| FG 600D/SP9  | 9  | 8, 10, 11, 12, 13, 14, 15, 17, 19 mm        |
| FG 600D/SP11 | 11 | 8, 9, 10, 11, 12, 13, 14, 15, 16, 17, 19 mm |



## UNIVERSAL COMBINATION WRENCH

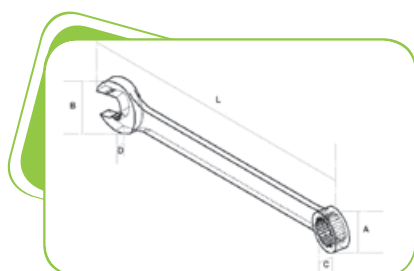
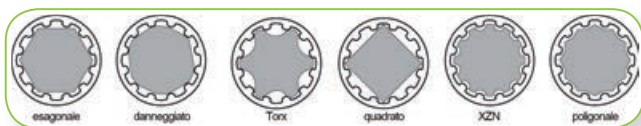
UNIVERSAL

### → USE

Hexagonal bolts (intact and rounded off until **50%**), TORX, XZN, 12points and Square bolts

### → FINISH

mirror



| CODE       | mm   | E   | ■  | A/mm | B/mm | L/mm |
|------------|------|-----|----|------|------|------|
| FG 600/U8  | 8mm  | E10 |    | 13.5 | 17.5 | 149  |
| FG 600/U10 | 10mm | E12 | 8  | 15.5 | 21.5 | 172  |
| FG 600/U11 | 11mm | E14 |    | 17.5 | 23.5 | 185  |
| FG 600/U12 | 12mm | E16 | 10 | 18.5 | 25.5 | 196  |
| FG 600/U13 | 13mm | E18 | 11 | 20.5 | 27.5 | 208  |
| FG 600/U14 | 14mm |     | 12 | 21.5 | 29.5 | 220  |
| FG 600/U15 | 15mm |     |    | 22.5 | 31.5 | 232  |
| FG 600/U16 | 16mm | E20 |    | 24.5 | 33.5 | 243  |

| CODE       | mm   | E   | ■  | A/mm | B/mm | L/mm |
|------------|------|-----|----|------|------|------|
| FG 600/U17 | 17mm |     | 13 | 25.5 | 35.5 | 257  |
| FG 600/U18 | 18mm | E22 | 15 | 27.5 | 37.5 | 268  |
| FG 600/U19 | 19mm | E24 | 16 | 28.5 | 39.5 | 281  |
| FG 600/U20 | 20mm |     |    | 30.5 | 41.5 | 293  |
| FG 600/U21 | 21mm |     |    | 31.5 | 43.5 | 305  |
| FG 600/U22 | 22mm | E28 |    | 33.5 | 46.5 | 319  |
| FG 600/U23 | 23mm |     |    | 34.5 | 47.5 | 329  |
| FG 600/U24 | 24mm | E30 |    | 35.5 | 49.5 | 340  |



### Set of UNIVERSAL combination wrenches in carton box

| CODE         | Pc | CONTENT  |
|--------------|----|--|
| FG 600U/SC3  | 3  | 17, 19, 21 mm  |
| FG 600U/SC8  | 8  | 8, 10, 11, 13, 14, 17, 19, 22 mm                                 |
| FG 600U/SC16 | 16 | 8, 10, 11, 12, 13, 14, 15, 16, 17, 18, 19, 20, 21, 22, 23, 24 mm |

### Form of UNIVERSAL combination wrenches

| CODE       | Pc | CONTENT  |
|------------|----|--|
| FG 100/01B | 13 | 8, 10, 11, 12, 13, 14, 15, 16, 17, 18, 19, 20, 21 mm |





## UNIVERSAL COMBINATION WRENCH Twister series

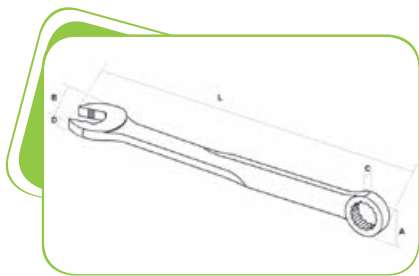
UNIVERSAL

### → USE

Hexagonal bolts (intact and rounded off until **50%**), TORX, XZN, 12points and Square bolts

### → FINISH

mirror



NON-SLIP 50%

| CODE       | mm   | E   | ■  | A/mm | B/mm | L/mm |
|------------|------|-----|----|------|------|------|
| FG 612/B8  | 8mm  | E10 |    | 13.5 | 17.5 | 144  |
| FG 612/B10 | 10mm | E12 | 8  | 15.5 | 21.5 | 158  |
| FG 612/B11 | 11mm | E14 |    | 17.5 | 23.5 | 165  |
| FG 612/B12 | 12mm | E16 | 10 | 18.5 | 25.5 | 173  |
| FG 612/B13 | 13mm | E18 | 11 | 20.5 | 27.5 | 182  |
| FG 612/B14 | 14mm |     | 12 | 21.5 | 29.5 | 190  |
| FG 612/B15 | 15mm |     |    | 22.5 | 31.5 | 202  |
| FG 612/B16 | 16mm | E20 |    | 24.5 | 33.5 | 215  |

| CODE       | mm   | E   | ■  | A/mm | B/mm | L/mm |
|------------|------|-----|----|------|------|------|
| FG 612/B17 | 17mm |     | 13 | 25.5 | 35.5 | 229  |
| FG 612/B18 | 18mm | E22 | 15 | 27.5 | 37.5 | 240  |
| FG 612/B19 | 19mm | E24 | 16 | 28.5 | 39.5 | 252  |
| FG 612/B20 | 20mm |     |    | 31.5 | 43.5 | 275  |
| FG 612/B21 | 21mm |     |    | 31.5 | 43.5 | 275  |
| FG 612/B22 | 22mm | E28 |    | 33.5 | 46.5 | 285  |
| FG 612/B23 | 23mm | E28 |    | 33.5 | 46.5 | 285  |
| FG 612/B24 | 24mm | E30 |    | 34.5 | 47.5 | 296  |



Set of UNIVERSAL and TWISTER combination wrenches in nylon pouch

| CODE         | Pc | CONTENT                                      |
|--------------|----|--|
| FG 612B/SP6  | 6  | 8, 10, 13, 15, 17, 19 mm                     |
| FG 612B/SP9  | 9  | 8, 10, 12, 13, 15, 16, 17, 18, 19 mm         |
| FG 612B/SP11 | 11 | 8, 10, 11, 12, 13, 14, 15, 16, 17, 18, 19 mm |

**DESIGNED TO INCREASE THE TORQUE UP TO 42%**



12PT

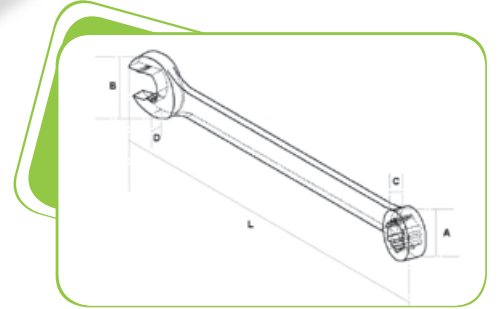
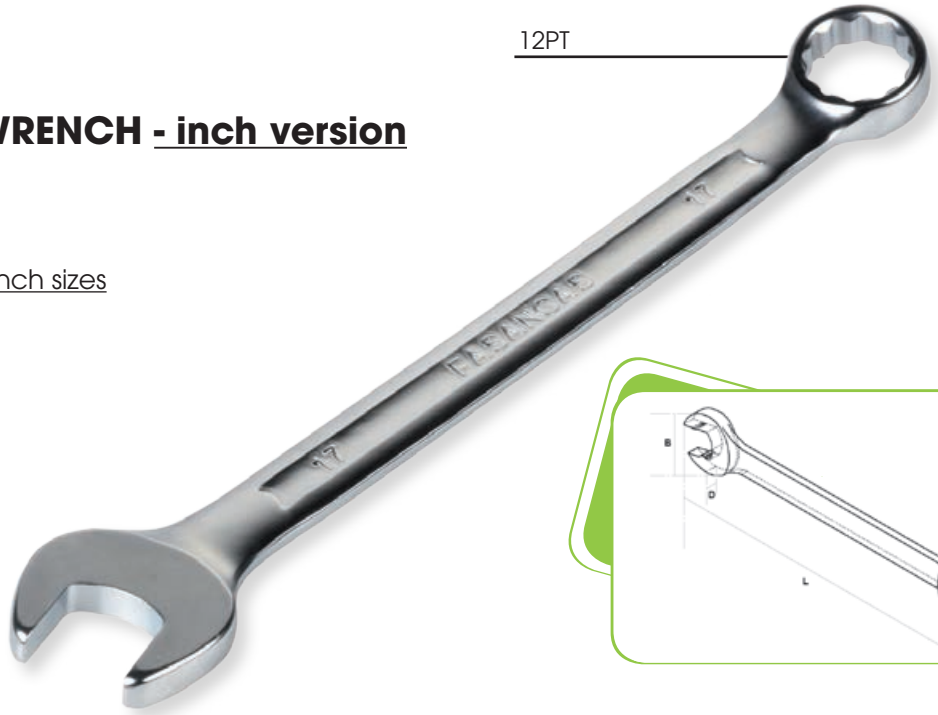
## COMBINATION WRENCH - inch version - DIN 3113

### → USE

hex and 12point nuts in inch sizes

### → FINISH

smooth satin



| CODE        | Inch   | A/mm | B/mm | C/mm | D/mm | L/mm |
|-------------|--------|------|------|------|------|------|
| FG 600/IN1  | 1/4"   | 10.1 | 15.5 | 4.7  | 4.0  | 105  |
| FG 600/IN2  | 5/16"  | 12.8 | 19.2 | 5.5  | 4.5  | 125  |
| FG 600/IN3  | 3/8"   | 15.6 | 23.2 | 6.5  | 5.0  | 145  |
| FG 600/IN4  | 7/16"  | 16.9 | 25.3 | 6.9  | 5.4  | 155  |
| FG 600/IN5  | 1/2"   | 19.7 | 29.4 | 7.8  | 5.9  | 175  |
| FG 600/IN6  | 9/16"  | 21.2 | 31.5 | 8.3  | 6.2  | 185  |
| FG 600/IN7  | 5/8"   | 24.0 | 34.7 | 8.9  | 6.7  | 205  |
| FG 600/IN8  | 11/16" | 25.3 | 36.5 | 9.3  | 6.9  | 215  |
| FG 600/IN9  | 3/4"   | 28.1 | 40.7 | 10.5 | 7.4  | 235  |
| FG 600/IN10 | 13/16" | 31.3 | 44.8 | 11.3 | 8.0  | 255  |

| CODE        | Inch    | A/mm | B/mm | C/mm | D/mm | L/mm |
|-------------|---------|------|------|------|------|------|
| FG 600/IN11 | 7/8"    | 32.6 | 46.9 | 11.5 | 8.2  | 265  |
| FG 600/IN12 | 15/16"  | 35.5 | 50.4 | 12.1 | 8.7  | 285  |
| FG 600/IN13 | 1"      | 36.9 | 52.0 | 12.5 | 8.9  | 295  |
| FG 600/IN14 | 1.1/16" | 39.6 | 55.7 | 13.1 | 9.4  | 315  |
| FG 600/IN15 | 1.1/8"  | 42.3 | 59.7 | 13.5 | 9.9  | 335  |
| FG 600/IN16 | 1.1/4"  | 46.4 | 65.8 | 14.3 | 10.4 | 365  |
| FG 600/IN17 | 1.5/16" | 48.8 | 69.2 | 15.0 | 10.7 | 380  |
| FG 600/IN18 | 1.3/8"  | 53.0 | 74.0 | 19.4 | 13.5 | 410  |
| FG 600/IN19 | 1.7/16" | 53.0 | 74.0 | 19.4 | 13.5 | 410  |
| FG 600/IN20 | 1.1/2"  | 56.0 | 77.0 | 20.4 | 15.0 | 430  |



### Set of combination wrenches in carton box

| CODE          | Pc | CONTENT   |
|---------------|----|---|
| FG 600IN/SC13 | 13 | 1/4", 5/16", 3/8", 7/16", 1/2", 9/16", 5/8", 11/16", 3/4", 13/16", 7/8", 15/16", 1" |

### Set of combination wrenches in nylon pouch

| CODE          | Pc | CONTENT   |
|---------------|----|---|
| FG 600IN/SP6  | 6  | 1/4", 5/16", 7/16", 1/2", 9/16", 11/16"                               |
| FG 600IN/SP9  | 9  | 1/4", 5/16", 3/8", 7/16", 1/2", 9/16", 5/8", 11/16", 3/4"             |
| FG 600IN/SP11 | 11 | 1/4", 5/16", 3/8", 7/16", 1/2", 9/16", 5/8", 11/16", 3/4", 13/16", 1" |



### Form of 9pcs combination wrenches

| CODE        | Pc | CONTENT   |
|-------------|----|---|
| FG 100/03IN | 9  | 1/4", 5/16", 3/8", 7/16", 1/2", 9/16", 5/8", 11/16", 3/4" |



# HEAVY DUTY OPEN END WRENCHES

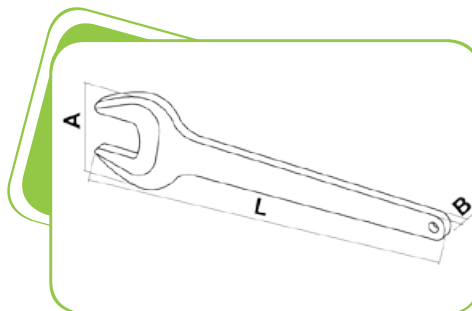
## HEAVY DUTY OPEN END WRENCH - DIN 894

### → USE

hex bolts

### → FINISH

burnished



| CODE       | mm | A/mm | B/mm | L/mm |
|------------|----|------|------|------|
| FG 601/B10 | 10 | 26.0 | 4.9  | 120  |
| FG 601/B11 | 11 | 26.0 | 4.9  | 120  |
| FG 601/B12 | 12 | 26.0 | 4.9  | 120  |
| FG 601/B13 | 13 | 31.4 | 5.7  | 145  |
| FG 601/B14 | 14 | 31.4 | 5.7  | 145  |
| FG 601/B15 | 15 | 31.4 | 5.7  | 145  |
| FG 601/B16 | 16 | 44.0 | 7.8  | 160  |
| FG 601/B17 | 17 | 44.0 | 7.8  | 160  |
| FG 601/B18 | 18 | 44.0 | 7.8  | 160  |
| FG 601/B19 | 19 | 44.2 | 8.4  | 175  |
| FG 601/B20 | 20 | 44.2 | 8.4  | 175  |
| FG 601/B21 | 21 | 44.2 | 8.4  | 175  |
| FG 601/B22 | 22 | 50.5 | 9.5  | 195  |
| FG 601/B23 | 23 | 50.5 | 9.5  | 195  |
| FG 601/B24 | 24 | 50.5 | 9.5  | 195  |
| FG 601/B25 | 25 | 60.0 | 11.5 | 215  |
| FG 601/B26 | 26 | 60.0 | 11.5 | 215  |

| CODE       | mm | A/mm  | B/mm | L/mm |
|------------|----|-------|------|------|
| FG 601/B27 | 27 | 60.0  | 11.5 | 215  |
| FG 601/B28 | 28 | 66.0  | 12.0 | 240  |
| FG 601/B30 | 30 | 66.0  | 12.0 | 240  |
| FG 601/B32 | 32 | 71.0  | 13.0 | 270  |
| FG 601/B34 | 34 | 71.0  | 13.0 | 270  |
| FG 601/B35 | 35 | 79.0  | 14.5 | 296  |
| FG 601/B36 | 36 | 79.0  | 14.5 | 296  |
| FG 601/B38 | 38 | 79.0  | 14.5 | 296  |
| FG 601/B41 | 41 | 90.0  | 17.5 | 335  |
| FG 601/B46 | 46 | 95.0  | 18.0 | 370  |
| FG 601/B50 | 50 | 106.0 | 19.5 | 410  |
| FG 601/B55 | 55 | 121.0 | 21.5 | 488  |
| FG 601/B60 | 60 | 121.0 | 21.5 | 488  |
| FG 601/B65 | 65 | 121.0 | 21.5 | 488  |
| FG 601/B70 | 70 | 153.0 | 24.0 | 595  |
| FG 601/B75 | 75 | 153.0 | 24.0 | 595  |
| FG 601/B80 | 80 | 153.0 | 24.0 | 595  |



Set of 6pcs Heavy Duty open end wrenches in carton box

| CODE       | Pc | CONTENT                  |
|------------|----|--------------------------|
| FG 601B/S6 | 6  | 10, 13, 17, 19, 22, 24mm |



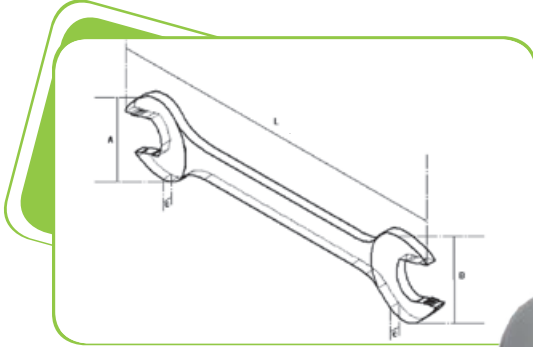
## DOUBLE OPEN END WRENCH - DIN 3110

### → USE

hex nuts

### → FINISH

smooth satin



| CODE          | mm    | A/mm | B/mm | C/mm | L/mm |
|---------------|-------|------|------|------|------|
| FG 602/B6x7   | 6x7   | 18.0 | 15.5 | 4.6  | 123  |
| FG 602/B8x9   | 8x9   | 22.7 | 20.4 | 4.7  | 140  |
| FG 602/B8X10  | 8x10  | 22.7 | 20.4 | 4.7  | 140  |
| FG 602/B10X11 | 10x11 | 27.1 | 24.9 | 4.8  | 156  |
| FG 602/B12X13 | 12x13 | 31.3 | 29.2 | 5.2  | 172  |
| FG 602/B14X15 | 14x15 | 35.3 | 33.3 | 5.9  | 190  |
| FG 602/B16X17 | 16x17 | 38.9 | 37.1 | 6.3  | 204  |
| FG 602/B18X19 | 18x19 | 42.8 | 40.9 | 6.7  | 221  |
| FG 602/B20X22 | 20x22 | 48.8 | 44.8 | 7.1  | 237  |
| FG 602/B21X23 | 21x23 | 50.8 | 46.8 | 7.7  | 247  |

| CODE          | mm    | A/mm  | B/mm | C/mm | L/mm |
|---------------|-------|-------|------|------|------|
| FG 602/B22X24 | 22x24 | 50.0  | 46.8 | 7.7  | 247  |
| FG 602/B24X26 | 24x26 | 56.8  | 50.8 | 7.9  | 255  |
| FG 602/B25X28 | 25x28 | 61.3  | 54.8 | 8.5  | 279  |
| FG 602/B27X29 | 27x29 | 61.3  | 54.8 | 8.5  | 279  |
| FG 602/B30X32 | 30x32 | 69.8  | 65.4 | 9.0  | 298  |
| FG 602/B34X36 | 34x36 | 76.0  | 69.8 | 10.5 | 350  |
| FG 602/B35X38 | 35x38 | 76.0  | 69.8 | 10.5 | 350  |
| FG 602/B36X41 | 36x41 | 87.0  | 76.0 | 12.0 | 380  |
| FG 602/B41X46 | 41x46 | 95.0  | 86.0 | 15.0 | 415  |
| FG 602/B46X50 | 46x50 | 104.0 | 95.0 | 16.0 | 465  |



# FG 602

# DOUBLE OPEN END WRENCHES



## Set of double open end wrenches in carton box

| CODE        | Pc | CONTENU CONTENT  |  |
|-------------|----|--|--|
| FG 602/SC8  | 8  | 6x7, 8x9, 10x11, 12x13, 14x15, 16x17, 18x19, 20x22 mm                                    |  |
| FG 602/SC13 | 13 | 6x7, 8x9, 10x11, 12x13, 14x15, 16x17, 18x19, 20x22, 21x23, 24x26, 25x28, 27x29, 30x32 mm |  |



## Set of double open end wrenches in nylon pouch

| CODE        | Pc | CONTENT   |  |
|-------------|----|---|--|
| FG 602/SP6  | 6  | 6x7, 8x9, x10x11, x12x13, 14x15, 16x17  |  |
| FG 602/SP9  | 9  | 6x7, 8x9, x10x11, x12x13, 14x15, 16x17, 18x19, 20x22, 21x23                             |  |
| FG 602/SP13 | 13 | 6x7, 8x9, x10x11, x12x13, 14x15, 16x17, 18x19, 20x22, 21x23, 24x26, 25x28, 27x29, 30x32 |  |



## Soft form of double open end wrenches + hex key wrenches

| CODE       | Pc | CONTENT   |  |
|------------|----|---|--|
| FG 100/03E | 17 | 6x7, 8x9, 10x11, 12x13, 14x15, 16x17, 18x19, 20x22 mm<br>FG 139C/FS |  |



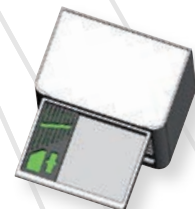
## Soft form of double open end wrenches fourches

| CODE       | Pc | CONTENT                              |  |
|------------|----|--------------------------------------|--|
| FG 100/03F | 5  | 21x23, 24x26, 25x28, 27x29, 30x32 mm |  |



## Plastic tray of 8 double open end wrenches + 9 hex key wrenches

| CODE       | Pc | CONTENT   |  |
|------------|----|---|--|
| FG 102/03E | 17 | 6x7, 8x9, 10x11, 12x13, 14x15, 16x17, 18x19, 20x22 mm<br>FG 139C/FS |  |



## Soft form of 5 double open end wrenches

| CODE       | Pc | CONTENT                              |  |
|------------|----|--------------------------------------|--|
| FG 102/03F | 5  | 21x23, 24x26, 25x28, 27x29, 30x32 mm |  |



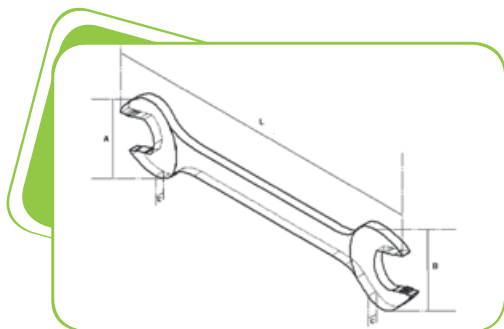
## ULTRA-SLIM DOUBLE OPEN END WRENCHES

### → USE

hex nuts

### → FINISH

mirror



| CODE          | mm    | A/mm | B/mm | C/mm | D/mm | L/mm |
|---------------|-------|------|------|------|------|------|
| FG 602/C6x7   | 6x7   | 15.8 | 18.7 | 2.5  | 2.4  | 145  |
| FG 602/C8x9   | 8x9   | 20.0 | 23.7 | 2.2  | 2.2  | 171  |
| FG 602/C10x11 | 10x11 | 19.6 | 23.8 | 2.3  | 2.4  | 171  |
| FG 602/C12x13 | 12x13 | 27.8 | 32.2 | 3.8  | 3.8  | 205  |
| FG 602/C14X15 | 14X15 | 28.1 | 32.5 | 3.8  | 3.4  | 205  |

| CODE          | mm    | A/mm | B/mm | C/mm | D/mm | L/mm |
|---------------|-------|------|------|------|------|------|
| FG 602/C16X17 | 16X17 | 38.4 | 42.7 | 4.1  | 4.2  | 246  |
| FG 602/C18X19 | 18X19 | 42.9 | 47.1 | 4.9  | 5.0  | 265  |
| FG 602/C20X22 | 20X22 | 47.4 | 51.5 | 5.7  | 5.8  | 283  |
| FG 602/C21X23 | 21X23 | 47.6 | 51.7 | 5.5  | 5.6  | 283  |



Set of double open end wrenches in nylon pouch

| CODE        | Pc | CONTENT   |
|-------------|----|---|
| FG 602C/SP6 | 6  | 6x7,8x9,x10x11,x12x13,14x15,16x17                   |
| FG 602C/SP9 | 9  | 6x7,8x9,x10x11,x12x13,14x15,16x17,18x19,20x22,21x23 |

## ULTRA SLIM

Special ultra-slim design  
able to fit every spaces





# DOUBLE OPEN END WRENCHES

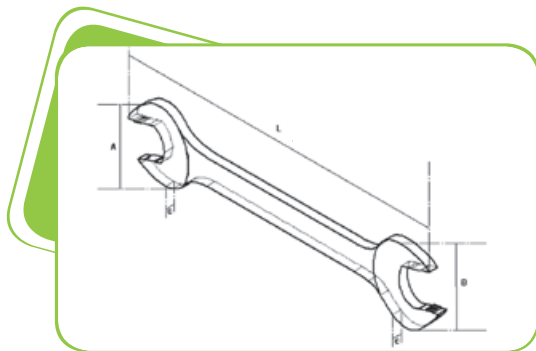
## DOUBLE OPEN END WRENCH - INCH VERSION - DIN 3110

### - USE

hex nuts

### - FINISH

mirror



| CODE       | Inch        | A/mm | B/mm | C/mm | L/mm |
|------------|-------------|------|------|------|------|
| FG 602/IN1 | 5/16 x 3/8  | 22.7 | 20.4 | 4.7  | 140  |
| FG 602/IN2 | 3/8 x 7/16  | 27.1 | 24.9 | 4.8  | 156  |
| FG 602/IN3 | 7/16 x 1/2  | 31.7 | 29.2 | 5.2  | 172  |
| FG 602/IN4 | 1/2 x 9/16  | 33.3 | 31.3 | 5.5  | 180  |
| FG 602/IN5 | 9/16 x 5/8  | 35.3 | 33.3 | 5.9  | 190  |
| FG 602/IN6 | 5/8 x 11/16 | 38.9 | 37.1 | 6.3  | 204  |

| CODE        | Inch          | A/mm | B/mm | C/mm | L/mm |
|-------------|---------------|------|------|------|------|
| FG 602/IN7  | 11/16 x 3/4   | 42.8 | 40.9 | 6.7  | 221  |
| FG 602/IN8  | 3/4 x 7/8     | 40.9 | 56.8 | 6.7  | 255  |
| FG 602/IN9  | 15/16 x 1     | 56.8 | 50.8 | 7.9  | 255  |
| FG 602/IN10 | 1 x 1.1/8     | 61.3 | 54.8 | 8.5  | 279  |
| FG 602/IN11 | 1.1/8 x 1.1/4 | 69.8 | 65.4 | 9.0  | 298  |



### Set of double open end wrenches in carton box

| CODE          | Pcs | CONTENT   |
|---------------|-----|---|
| FG 602IN/SC5  | 5   | 5/16x3/8, 3/8x7/16, 1/2x9/16, 5/8x11/16, 3/4x7/8 (IN1, IN2, IN4, IN6, IN8)  |
| FG 602IN/SC7  | 7   | 5/16x3/8, 3/8x7/16, 1/2x9/16, 5/8x11/16, 3/4x7/8, 15/16X1, 1.1/8X1.1/4 (IN1, IN2, IN4, IN6, IN8, IN9, IN11)   |
| FG 602IN/SC11 | 11  | 5/16x3/8, 3/8x7/16, 7/16x1/2, 1/2x9/16, 9/16x5/8, 5/8x11/16, 11/16x3/4, 3/4x7/8, 15/16x1, 1x1.1/8, 1.1/8x1.1/4 (IN1, IN2, IN3, IN4, IN5, IN6, IN7, IN8, IN9, IN10, N11) |



### Set of double open end wrenches in nylon pouch

| CODE         | Pcs | CONTENT   |
|--------------|-----|---|
| FG 602IN/SP6 | 6   | 5/16x3/8, 3/8x7/16, 1/2x9/16, 5/8x11/16, 3/4x7/8, 15/16X1 (IN1, IN2, IN4, IN6, IN8, IN9)  |
| FG 602IN/SP9 | 9   | 5/16x3/8, 3/8x7/16, 7/16X1/2, 1/2x9/16, 5/8x11/16, 3/4x7/8, 15/16X1, 1X1.1/8, 1.1/8X1.1/4 (IN1, IN2, IN3, IN4, IN6, IN8, IN9, IN10, IN11) |

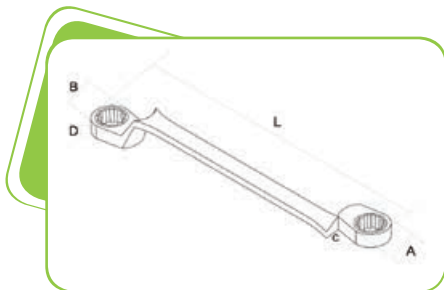
## DOUBLE COMBINATION WRENCH - DIN 838

### → USE

hex and 12point nuts

### → FINISH

satin



| CODE          | mm    | A/mm | B/mm | C/mm | D/mm | L/mm | €/Pz |
|---------------|-------|------|------|------|------|------|------|
| FG 615/B6x7   | 6x7   | 12.6 | 11.1 | 6.2  | 5.5  | 172  |      |
| FG 615/B8x9   | 8x9   | 14.7 | 13.0 | 7.4  | 6.5  | 185  |      |
| FG 615/B10x11 | 10x11 | 17.2 | 15.8 | 8.3  | 7.3  | 202  |      |
| FG 615/B12x13 | 12x13 | 21.8 | 19.0 | 9.3  | 8.4  | 220  |      |
| FG 615/B14x15 | 14x15 | 23.6 | 22.9 | 10.1 | 9.5  | 245  |      |
| FG 615/B16x17 | 16x17 | 26.0 | 24.5 | 10.4 | 10.4 | 265  |      |
| FG 615/B18x19 | 18x19 | 29.6 | 28.8 | 11.9 | 11.5 | 295  |      |

| CODE          | mm    | A/mm | B/mm | C/mm | D/mm | L/mm | €/Pz |
|---------------|-------|------|------|------|------|------|------|
| FG 615/B20x22 | 20x22 | 33.2 | 30.7 | 12.4 | 11.8 | 325  |      |
| FG 615/B21x23 | 21x23 | 36.0 | 33.5 | 13.0 | 12.5 | 335  |      |
| FG 615/B24x26 | 24x26 | 41.1 | 36.5 | 14.5 | 13.5 | 350  |      |
| FG 615/B24x27 | 24x27 | 42.0 | 37.5 | 14.0 | 13.5 | 355  |      |
| FG 615/B25x28 | 25x28 | 43.0 | 39.7 | 14.0 | 13.1 | 360  |      |
| FG 615/B27x29 | 27x29 | 48.3 | 44.8 | 15.0 | 15.0 | 380  |      |
| FG 615/B30x32 | 30x32 | 48.3 | 44.8 | 15.0 | 15.0 | 380  |      |
| FG 615/B34x36 | 34x36 | 42.0 | 37.5 | 14.0 | 13.5 | 355  |      |
| FG 615/B36x41 | 36x41 | 43.0 | 39.7 | 14.0 | 13.1 | 360  |      |
| FG 615/B46x50 | 46x50 | 48.3 | 44.8 | 15.0 | 15.0 | 380  |      |

**NEW**

**NEW**

**NEW**



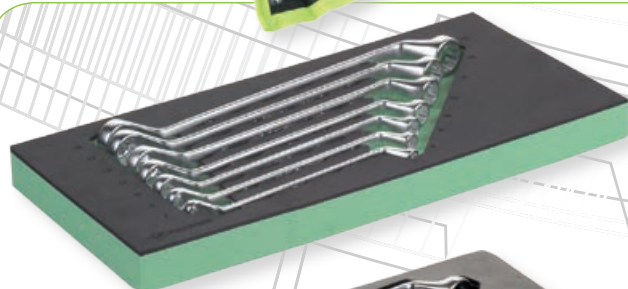
### Set of double combination wrenches in carton box

| CODE        | Pc | CONTENT  |
|-------------|----|--|
| FG 615/SC8  | 8  | 6x7, 8x9, 10x11, 12x13, 14x15, 16x17, 18x19, 20x22 mm                                    |
| FG 615/SC12 | 12 | 6x7, 8x9, 10x11, 12x13, 14x15, 16x17, 18x19, 20x22, 21x23, 24x26, 25x28, 30x32           |
| FG 615/SC13 | 13 | 6x7, 8x9, 10x11, 12x13, 14x15, 16x17, 18x19, 20x22, 21x23, 24x26, 25x28, 27x29, 30x32 mm |



### Set of double combination wrenches in nylon pouch

| CODE        | Pc | CONTENT  |
|-------------|----|--|
| FG 615/SP6  | 6  | 8x9, 10x11, 12x13, 14x15, 16x17, 18x19 mm  |
| FG 615/SP9  | 9  | 6x7, 8x9, 10x11, 12x13, 14x15, 16x17, 18x19, 20x22, 21x23 mm                             |
| FG 615/SP13 | 13 | 6x7, 8x9, 10x11, 12x13, 14x15, 16x17, 18x19, 20x22, 21x23, 24x26, 25x28, 27x29, 30x32 mm |



### Soft form of double combination wrenches

| CODE       | Pc | CONTENT  |
|------------|----|--|
| FG 100/07C | 7  | 6x7, 8x9, 10x11, 12x13, 14x15, 16x17, 18x19 mm |
| FG 100/07D | 5  | 20x22, 21x23, 24x27, 25x28, 30x32 mm           |



### Plastic tray of double combination wrenches

| CODE       | Pc | CONTENT  |
|------------|----|--|
| FG 102/07C | 7  | 6x7, 8x9, 10x11, 12x13, 14x15, 16x17, 18x19 mm |
| FG 102/07D | 5  | 20x22, 21x23, 24x27, 25x28, 30x32 mm           |



# DOUBLE COMBINATION WRENCHES

## DOUBLE WRENCH

### → USE

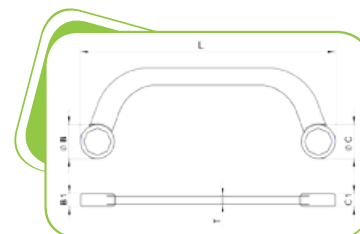
hex and 12point nuts

### → FINISH

chrome satin



| CODE          | mm    | C/mm | B/mm | C1/mm | B1/mm | L/mm | T/mm |
|---------------|-------|------|------|-------|-------|------|------|
| FG 609/A8x10  | 8x10  | 15.6 | 14.3 | 6.5   | 6.2   | 137  | 4.0  |
| FG 609/A10x12 | 10x12 | 15.6 | 18.2 | 6.6   | 6.5   | 141  | 4.2  |
| FG 609/A11x13 | 11x13 | 18.2 | 21.0 | 8.2   | 8.0   | 166  | 4.9  |
| FG 609/A14x17 | 14x17 | 22.0 | 25.0 | 9.2   | 8.2   | 190  | 5.3  |
| FG 609/A15x17 | 15x17 | 22.0 | 25.0 | 9.2   | 8.2   | 190  | 5.3  |
| FG 609/A16x18 | 16x18 | 25.5 | 28.0 | 9.6   | 8.8   | 220  | 5.6  |
| FG 609/A19x22 | 19x22 | 28.6 | 32.5 | 11.1  | 10.1  | 256  | 6.6  |



Set of double combination wrenches in carton box

| CODE       | Pc | CPNTENT  |
|------------|----|--|
| FG 609A/S3 | 3  | 11x13, 14x17, 19x22                            |
| FG 609A/S5 | 5  | 10x12, 11x13, 14x17 16x18, 19x22               |
| FG 609A/S7 | 7  | 8x10, 10x12, 11x13, 14x17, 15x17, 16x18, 19x22 |

## DOUBLE COMBINATION WRENCH WITH TORX MOULD

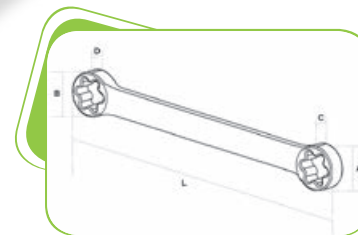
### → USE

Torx nuts

### → FINISH

mirror

| CODE          | E         | A/mm | B/mm | C/mm | D/mm | L/mm  |
|---------------|-----------|------|------|------|------|-------|
| FG 600/E6x8   | E6 x E8   | 8.7  | 10.5 | 4.7  | 5.7  | 112.4 |
| FG 600/E10x12 | E10 x E12 | 12.9 | 14.7 | 6.3  | 7.6  | 140.7 |
| FG 600/E14x18 | E14 x E18 | 17.2 | 21.1 | 7.5  | 9.3  | 183.0 |
| FG 600/E20x24 | E20 x E24 | 23.9 | 28.0 | 10.5 | 12.7 | 225.0 |

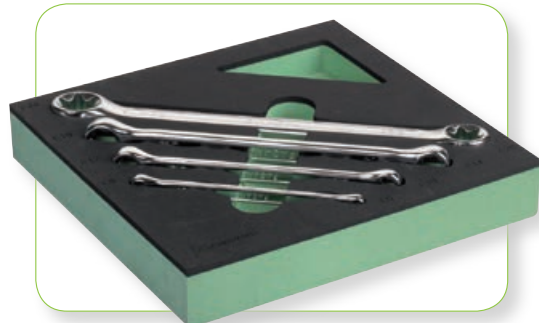


Set of 4pcs double Torx combination wrenches

| CODE       | Pc | CONTENT                          |
|------------|----|----------------------------------|
| FG 600E/S4 | 4  | E6xE8, E10xE12, E14xE18, E20xE24 |

From of 4pcs double Torx combination wrenches

| CODE        | Pc | CONTENT                          |
|-------------|----|----------------------------------|
| FG 100/03TX | 4  | E6xE8, E10xE12, E14xE18, E20xE24 |



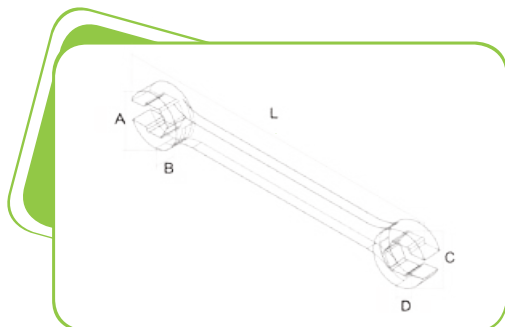
## FLARE NUT WRENCH millimeter series - DIN 3118

**→ USE**

flare nuts

**→ FINISH**

mirror



| CODE          | mm    | A/mm | B/mm | C/mm | D/mm | L/mm |  |
|---------------|-------|------|------|------|------|------|--|
| FG 180/A6x8   | 6x8   | 19.5 | 8.0  | 18.0 | 6.8  | 139  |  |
| FG 180/A8x10  | 8x10  | 21.0 | 8.4  | 18.4 | 7.0  | 143  |  |
| FG 180/A9x11  | 9x11  | 22.0 | 8.6  | 22.3 | 8.6  | 150  |  |
| FG 180/A10x11 | 10x11 | 22.4 | 8.5  | 20.9 | 8.2  | 152  |  |
| FG 180/A11x13 | 11x13 | 25.3 | 10.2 | 22.4 | 8.9  | 165  |  |
| FG 180/A12x14 | 12x14 | 27.4 | 11.0 | 25.3 | 9.4  | 177  |  |
| FG 180/A13x14 | 13x14 | 26.9 | 10.6 | 24.4 | 9.7  | 175  |  |
| FG 180/B14x15 | 14x15 | 30.3 | 11.2 | 27.2 | 10.0 | 195  |  |

| CODE          | mm    | A/mm | B/mm | C/mm | D/mm | L/mm |  |
|---------------|-------|------|------|------|------|------|--|
| FG 180/B14X17 | 14x17 | 29.9 | 11.3 | 26.9 | 10.5 | 195  |  |
| FG 180/B17X19 | 17x19 | 32.9 | 13.7 | 30.1 | 11.3 | 210  |  |
| FG 180/B19X22 | 19x22 | 38.4 | 14.9 | 33.0 | 13.0 | 232  |  |
| FG 180/B22X24 | 22x24 | 41.3 | 17.0 | 38.3 | 16.0 | 250  |  |
| FG 180/B24x27 | 24x27 | 45.6 | 17.4 | 41.6 | 16.8 | 260  |  |
| FG 180/B30x32 | 30x32 | 50.6 | 22.4 | 48.5 | 29.6 | 280  |  |
| FG 180/B36X41 | 36x41 | 57.9 | 22.8 | 64.7 | 24.9 | 345  |  |

## FLARE NUT WRENCH inch series - DIN 3118

| CODE       | inch          | A/mm | B/mm | C/mm | D/mm | L/mm |  |
|------------|---------------|------|------|------|------|------|--|
| FG 180/IN1 | 1/4" x 5/16"  | 17.4 | 7.5  | 15.6 | 6.1  | 133  |  |
| FG 180/IN2 | 5/16" x 3/8"  | 20.8 | 8.6  | 18.3 | 7.0  | 143  |  |
| FG 180/IN3 | 3/8" x 7/16"  | 22.5 | 8.8  | 20.7 | 8.4  | 150  |  |
| FG 180/IN4 | 1/2" x 9/16"  | 27.4 | 10.6 | 24.8 | 9.8  | 175  |  |
| FG 180/IN5 | 5/8" x 11/16" | 29.5 | 11.3 | 27.0 | 10.5 | 193  |  |
| FG 180/IN6 | 3/4" x 7/8"   | 38.5 | 14.8 | 32.7 | 13.4 | 232  |  |
| FG 180/IN7 | 7/8" x 1"     | 41.7 | 16.0 | 38.0 | 15.0 | 250  |  |



### Set of flare nut wrenches in nylon pouch

| CODE         | Pc | CONTENT   |  |
|--------------|----|---|--|
| FG 180/SP6   | 6  | 8x10, 10x11, 11x13, 12x14, 17x19, 19x22   |  |
| FG 180/SP9   | 9  | 8x10, 9x11, 10x11, 11x13, 12x14, 17x19, 19x22, 24x27, 30x32                     |  |
| FG 180/SP7IN | 7  | 1/4"x5/16", 5/16"x3/8", 3/8"x7/16", 1/2"x9/16", 5/8"x11/16", 3/4"x7/8", 7/8"x1" |  |

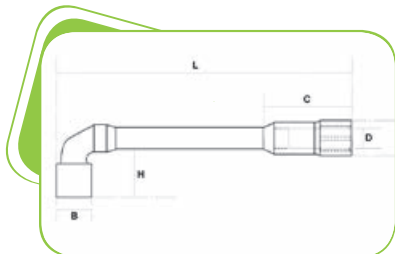
## PIPE WRENCHES 6PTx12PT

### → USE

hex and 12PT nuts

### → FINISH

mirror



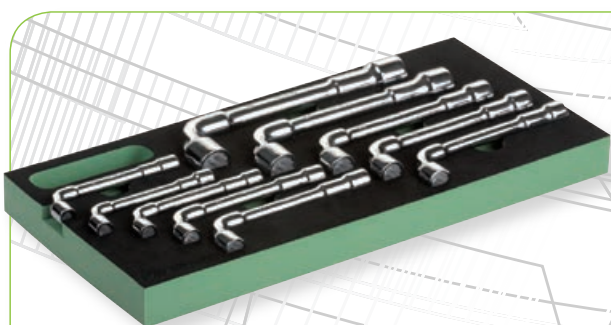
| CODE       | mm | B/mm | C/mm | D/mm | H/mm | L/mm  |
|------------|----|------|------|------|------|-------|
| FG 613/A6  | 6  | 7.0  | 27.6 | 9.0  | 16.0 | 113.0 |
| FG 613/A7  | 7  | 8.0  | 29.3 | 10.0 | 17.0 | 122.0 |
| FG 613/A8  | 8  | 9.0  | 32.8 | 11.5 | 19.0 | 126.0 |
| FG 613/A9  | 9  | 10.0 | 35.4 | 12.5 | 20.0 | 131.0 |
| FG 613/A10 | 10 | 11.0 | 38.5 | 13.5 | 24.0 | 140.0 |
| FG 613/A11 | 11 | 12.0 | 40.0 | 14.5 | 25.0 | 150.0 |
| FG 613/A12 | 12 | 13.0 | 46.1 | 16.0 | 28.0 | 155.0 |
| FG 613/A13 | 13 | 14.0 | 48.6 | 17.5 | 30.0 | 165.0 |
| FG 613/A14 | 14 | 15.0 | 51.4 | 18.0 | 32.0 | 180.0 |
| FG 613/A15 | 15 | 16.0 | 53.1 | 18.0 | 34.0 | 193.0 |
| FG 613/A16 | 16 | 17.0 | 59.7 | 20.5 | 37.0 | 204.0 |
| FG 613/A17 | 17 | 18.0 | 61.8 | 21.0 | 39.0 | 209.0 |
| FG 613/A18 | 18 | 19.0 | 63.4 | 21.0 | 40.0 | 225.0 |

| CODE       | mm | B/mm | C/mm  | D/mm | H/mm | L/mm  |
|------------|----|------|-------|------|------|-------|
| FG 613/A19 | 19 | 20.0 | 66.0  | 23.5 | 41.0 | 230.0 |
| FG 613/A20 | 20 | 21.0 | 68.2  | 24.0 | 43.0 | 235.0 |
| FG 613/A21 | 21 | 22.0 | 70.9  | 24.5 | 46.0 | 249.0 |
| FG 613/A22 | 22 | 23.0 | 73.2  | 25.0 | 48.0 | 266.0 |
| FG 613/A23 | 23 | 24.0 | 83.2  | 28.0 | 51.0 | 268.0 |
| FG 613/A24 | 24 | 25.0 | 84.7  | 28.0 | 54.0 | 288.0 |
| FG 613/A25 | 25 | 26.0 | 87.2  | 30.5 | 56.0 | 297.0 |
| FG 613/A26 | 26 | 27.0 | 88.7  | 30.5 | 57.0 | 311.0 |
| FG 613/A27 | 27 | 28.0 | 93.9  | 33.5 | 58.0 | 315.0 |
| FG 613/A28 | 28 | 29.0 | 95.0  | 33.5 | 60.0 | 332.0 |
| FG 613/A29 | 29 | 30.0 | 95.7  | 33.5 | 62.0 | 351.0 |
| FG 613/A30 | 30 | 31.0 | 103.7 | 36.0 | 64.0 | 362.0 |
| FG 613/A32 | 32 | 33.0 | 107.0 | 38.0 | 74.0 | 385.0 |



Set of pipe wrenches in carton box

| CODE       | Pz | CONTENT  |
|------------|----|--|
| FG 613/S9  | 9  | 8, 10, 11, 12, 13, 15, 17, 18, 19 mm                             |
| FG 613/S11 | 11 | 6, 7, 8, 10, 11, 12, 13, 14, 17, 19, 22mm                        |
| FG 613/S17 | 17 | 6, 7, 8, 9, 10, 11, 12, 13, 14, 15, 16, 17, 18, 19, 20, 21, 22mm |



Soft form of 10 pipe wrenches

| CODE       | Pz | CONTENT                    |
|------------|----|----------------------------|
| FG 100/13C | 10 | 6,7,8,10,11,12,13,14,17,19 |



Plastic tray of 10 pipe wrenches

| CODE       | Pz | CONTENT                    |
|------------|----|----------------------------|
| FG 102/13C | 10 | 6,7,8,10,11,12,13,14,17,19 |

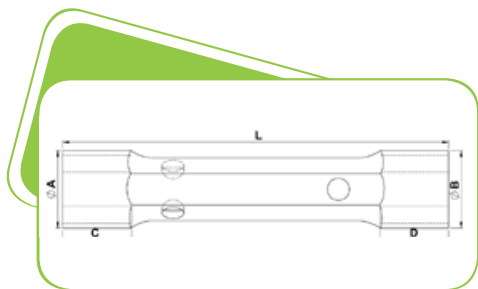
## TUBE WRENCH - Heavy duty version

**- USE**

hex and 12PT nuts

**- FINISH**

mirror



| CODE          | mm    | A/mm | B/mm | C/mm | D/mm | L/mm |
|---------------|-------|------|------|------|------|------|
| FG 614/A6x7   | 6x7   | 11.2 | 10.4 | 8.8  | 8.0  | 106  |
| FG 614/A8x9   | 8x9   | 12.7 | 13.4 | 10.0 | 10.4 | 108  |
| FG 614/A10x11 | 10x11 | 16.1 | 15.3 | 12.0 | 12.2 | 122  |
| FG 614/A12x13 | 12x13 | 19.1 | 17.5 | 12.0 | 11.5 | 138  |
| FG 614/A14x15 | 14x15 | 21.7 | 20.5 | 12.0 | 11.7 | 148  |
| FG 614/A16x17 | 16x17 | 24.1 | 22.6 | 14.0 | 12.8 | 157  |
| FG 614/A18x19 | 18x19 | 26.3 | 25.6 | 15.7 | 14.5 | 165  |

| CODE          | mm    | A/mm | B/mm | C/mm | D/mm | L/mm |
|---------------|-------|------|------|------|------|------|
| FG 614/A20x22 | 20x22 | 30.5 | 28.4 | 16.0 | 15.5 | 175  |
| FG 614/A21x23 | 21x23 | 31.0 | 28.8 | 19.0 | 18.6 | 186  |
| FG 614/A24x26 | 24x26 | 36.4 | 32.5 | 20.3 | 20.8 | 195  |
| FG 614/A25x28 | 25x28 | 37.0 | 34.3 | 20.3 | 20.8 | 207  |
| FG 614/A27x29 | 27x29 | 39.8 | 36.4 | 23.8 | 25.0 | 209  |
| FG 614/A30x32 | 30x32 | 44.7 | 42.0 | 25.7 | 26.9 | 209  |



### Set of tube wrenches in carton box

| CODE        | Pc | CONTENT   |
|-------------|----|---|
| FG 614A/S8  | 8  | 6x7,8x9,10x11,12x13,14x15,16x17,18x19,20x22                               |
| FG 614A/S12 | 12 | 6x7,8x9,10x11,12x13,14x15,16x17,18x19,20x22,21x23,24x26,25x28,30x32       |
| FG 614A/S13 | 13 | 6x7,8x9,10x11,12x13,14x15,16x17,18x19,20x22,21x23,24x26,25x28,27x29,30x32 |



### Form of 8pcs tube wrenches

| CODE       | Pc | CONTENT                                     |
|------------|----|---|
| FG 100/12B | 8  | 6x7,8x9,10x11,12x13,14x15,16x17,18x19,20x22 |





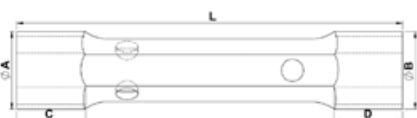
## TUBE WRENCH - Light version

### → USE

hex and 12PT nuts

### → FINISH

mirror



| CODE          | mm    | A/mm | B/mm | C/mm | D/mm | L/mm |
|---------------|-------|------|------|------|------|------|
| FG 614/B6x7   | 6x7   | 10.0 | 10.9 | 8.6  | 8.8  | 110  |
| FG 614/B8x9   | 8x9   | 13.4 | 12.3 | 8.6  | 8.8  | 113  |
| FG 614/B10x11 | 10x11 | 15.5 | 16.5 | 10.1 | 11.5 | 122  |
| FG 614/B12x13 | 12x13 | 17.7 | 18.6 | 10.5 | 11.5 | 142  |
| FG 614/B14x15 | 14x15 | 20.0 | 21.0 | 12.0 | 12.0 | 142  |
| FG 614/B16x17 | 16x17 | 22.0 | 23.3 | 14.8 | 14.8 | 154  |
| FG 614/B18x19 | 18x19 | 25.2 | 26.2 | 15.8 | 17.7 | 161  |

| CODE          | mm    | A/mm | B/mm | C/mm | D/mm | L/mm |
|---------------|-------|------|------|------|------|------|
| FG 614/B20x22 | 20x22 | 28.5 | 30.0 | 18.0 | 18.8 | 170  |
| FG 614/B21x23 | 21x23 | 29.2 | 31.7 | 18.0 | 19.5 | 172  |
| FG 614/B24x26 | 24x26 | 34.5 | 36.9 | 21.8 | 24.0 | 189  |
| FG 614/B25x28 | 25x28 | 36.1 | 38.9 | 21.8 | 25.0 | 200  |
| FG 614/B27x29 | 27x29 | 38.0 | 40.0 | 25.0 | 25.0 | 200  |
| FG 614/B30x32 | 30x32 | 40.1 | 42.6 | 25.5 | 27.0 | 202  |



### Set of tube wrenches in carton box - light series

| CODE        | Pc | CONTENT   |
|-------------|----|---|
| FG 614B/S8  | 8  | 6x7,8x9,10x11,12x13,14x15,16x17,18x19,20x22                               |
| FG 614B/S12 | 12 | 6x7,8x9,10x11,12x13,14x15,16x17,18x19,20x22,21x23,24x26,25x28,30x32       |
| FG 614B/S13 | 13 | 6x7,8x9,10x11,12x13,14x15,16x17,18x19,20x22,21x23,24x26,25x28,27x29,30x32 |



### Form of tube wrenches - light series

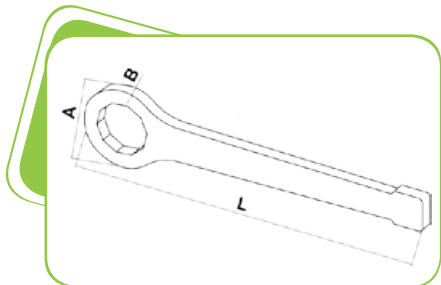
| CODE       | Pz | CONTENT                                     |
|------------|----|---|
| FG 100/12C | 8  | 6x7,8x9,10x11,12x13,14x15,16x17,18x19,20x22 |



## Ring slogging wrenches - DIN7444

### - MATERIAL

CR-MO (SCM440)



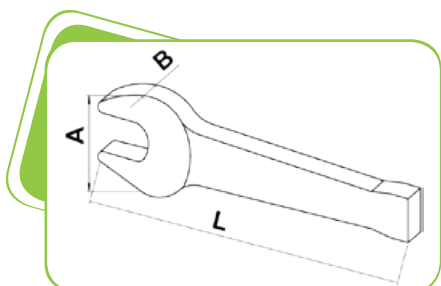
| CODE       | mm | A/mm  | B/mm | L/mm |  |
|------------|----|-------|------|------|--|
| FG 604/A24 | 24 | 43.4  | 14.8 | 168  |  |
| FG 604/A27 | 27 | 46.0  | 16.0 | 180  |  |
| FG 604/A30 | 30 | 51.5  | 17.0 | 190  |  |
| FG 604/A32 | 32 | 54.0  | 17.0 | 190  |  |
| FG 604/A36 | 36 | 58.5  | 18.5 | 205  |  |
| FG 604/A41 | 41 | 65.0  | 20.0 | 230  |  |
| FG 604/A46 | 46 | 73.5  | 22.0 | 240  |  |
| FG 604/A50 | 50 | 78.5  | 24.0 | 253  |  |
| FG 604/A55 | 55 | 85.0  | 25.0 | 266  |  |
| FG 604/A60 | 60 | 92.0  | 26.0 | 280  |  |
| FG 604/A65 | 65 | 102.0 | 30.0 | 300  |  |
| FG 604/A70 | 70 | 110.0 | 33.0 | 330  |  |
| FG 604/A75 | 75 | 110.0 | 33.0 | 330  |  |

| CODE        | mm  | A/mm  | B/mm | L/mm |  |
|-------------|-----|-------|------|------|--|
| FG 604/A80  | 80  | 118.0 | 34.0 | 340  |  |
| FG 604/A85  | 85  | 130.0 | 36.0 | 355  |  |
| FG 604/A90  | 90  | 142.0 | 39.0 | 390  |  |
| FG 604/A95  | 95  | 142.0 | 39.0 | 390  |  |
| FG 604/A100 | 100 | 155.0 | 43.0 | 420  |  |
| FG 604/A105 | 105 | 155.0 | 43.0 | 420  |  |
| FG 604/A110 | 110 | 168.0 | 45.0 | 450  |  |
| FG 604/A115 | 115 | 168.0 | 45.0 | 450  |  |
| FG 604/A120 | 120 | 182.0 | 50.0 | 480  |  |
| FG 604/A125 | 125 | 182.0 | 50.0 | 480  |  |
| FG 604/A130 | 130 | 194.0 | 57.0 | 510  |  |
| FG 604/A135 | 135 | 194.0 | 57.0 | 510  |  |

## Open end slogging wrenches - DIN3113

### - MATERIAL

CR-MO (SCM440)



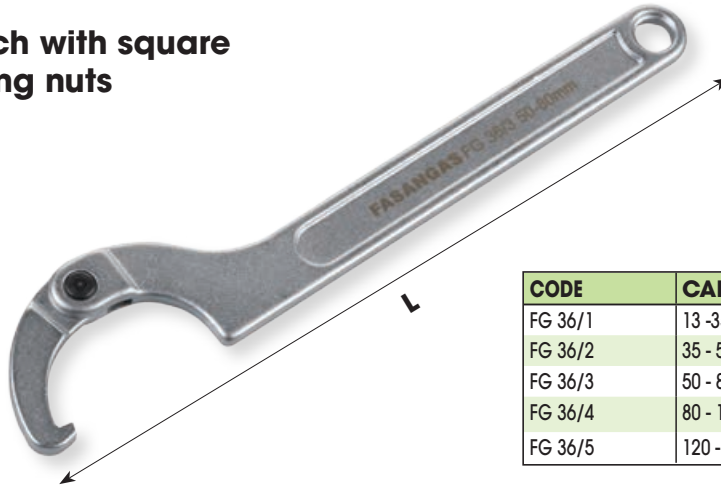
| CODE       | mm | A/mm  | B/mm | L/mm |  |
|------------|----|-------|------|------|--|
| FG 604/B24 | 24 | 56.0  | 16.0 | 180  |  |
| FG 604/B27 | 27 | 56.0  | 16.0 | 180  |  |
| FG 604/B30 | 30 | 62.0  | 17.0 | 190  |  |
| FG 604/B32 | 32 | 62.0  | 17.0 | 190  |  |
| FG 604/B36 | 36 | 76.0  | 17.5 | 215  |  |
| FG 604/B41 | 41 | 86.0  | 18.5 | 235  |  |
| FG 604/B46 | 46 | 98.0  | 20.0 | 255  |  |
| FG 604/B50 | 50 | 105.0 | 21.0 | 275  |  |
| FG 604/B55 | 55 | 116.0 | 23.0 | 300  |  |
| FG 604/B60 | 60 | 128.0 | 24.5 | 320  |  |
| FG 604/B65 | 65 | 138.0 | 27.0 | 342  |  |
| FG 604/B70 | 70 | 154.0 | 30.0 | 375  |  |

| CODE        | mm  | A/mm  | B/mm | L/mm |  |
|-------------|-----|-------|------|------|--|
| FG 604/B75  | 75  | 154.0 | 30.0 | 375  |  |
| FG 604/B80  | 80  | 161.0 | 29.0 | 360  |  |
| FG 604/B85  | 85  | 168.0 | 30.0 | 380  |  |
| FG 604/B90  | 90  | 184.0 | 33.0 | 400  |  |
| FG 604/B95  | 95  | 184.0 | 33.0 | 400  |  |
| FG 604/B100 | 100 | 200.0 | 35.0 | 430  |  |
| FG 604/B105 | 105 | 200.0 | 35.0 | 430  |  |
| FG 604/B110 | 110 | 215.0 | 37.0 | 465  |  |
| FG 604/B115 | 115 | 215.0 | 37.0 | 465  |  |
| FG 604/B120 | 120 | 238.0 | 39.0 | 500  |  |
| FG 604/B125 | 125 | 238.0 | 39.0 | 500  |  |



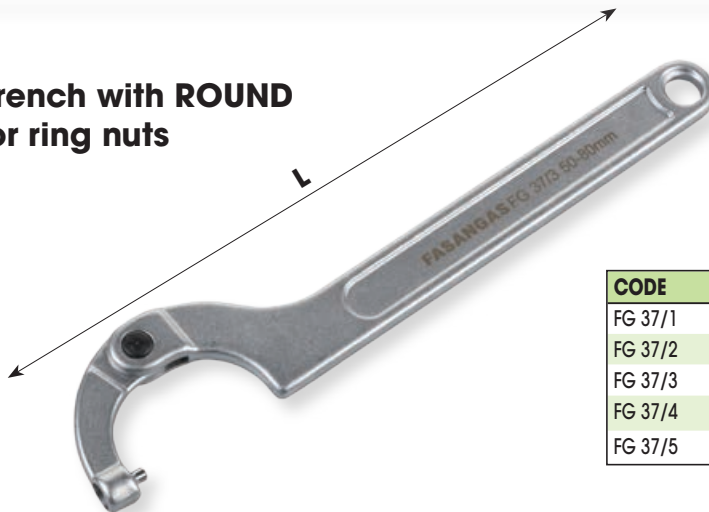


## Hook wrench with square noses for ring nuts



| CODE    | CAPACITY    | A/mm  | L/mm  |
|---------|-------------|-------|-------|
| FG 36/1 | 13 -35 mm   | 4.96  | 168.0 |
| FG 36/2 | 35 - 50mm   | 5.94  | 214.0 |
| FG 36/3 | 50 - 80mm   | 7.65  | 280.0 |
| FG 36/4 | 80 - 120mm  | 8.60  | 342.0 |
| FG 36/5 | 120 - 180mm | 10.75 | 480.0 |

## Hook wrench with ROUND noses for ring nuts



| CODE    | CAPACITY    | A/mm | L/mm  |
|---------|-------------|------|-------|
| FG 37/1 | 13 -35 mm   | 2.74 | 168.0 |
| FG 37/2 | 35 - 50mm   | 3.77 | 210.0 |
| FG 37/3 | 50 - 80mm   | 4.77 | 280.0 |
| FG 37/4 | 80 - 120mm  | 5.74 | 348.0 |
| FG 37/5 | 120 - 180mm | 7.76 | 495.0 |

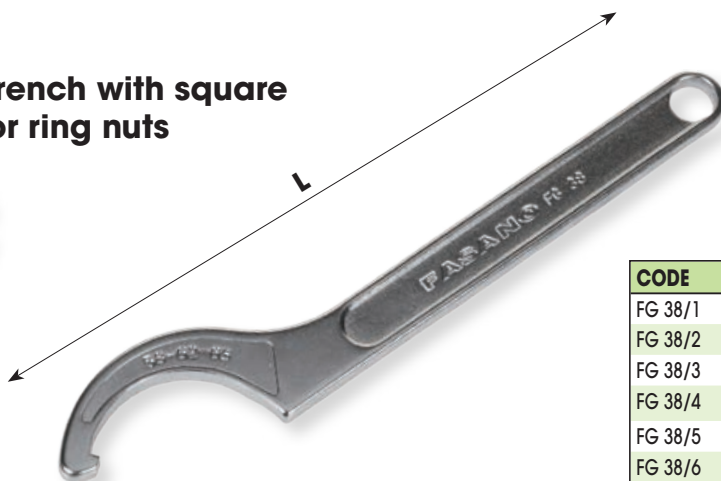
### Round noses for FG 37



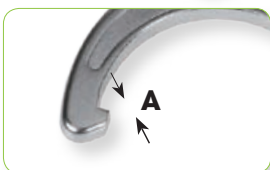
| CODICE   |  |
|----------|--|
| FG 37/1R |  |
| FG 37/2R |  |
| FG 37/3R |  |

| CODICE   |  |
|----------|--|
| FG 37/4R |  |
| FG 37/5R |  |

## Hook wrench with square noses for ring nuts



| CODE     | CAPACITY    | A/mm | L/mm  |
|----------|-------------|------|-------|
| FG 38/1  | 16-18-20mm  | 2.0  | 108.0 |
| FG 38/2  | 22-25-28mm  | 2.5  | 135.0 |
| FG 38/3  | 30-32mm     | 2.5  | 135.0 |
| FG 38/4  | 34-36-38mm  | 3.0  | 170.0 |
| FG 38/5  | 40-42mm     | 3.0  | 170.0 |
| FG 38/6  | 45-50mm     | 3.5  | 206.0 |
| FG 38/7  | 52-55mm     | 3.5  | 206.0 |
| FG 38/8  | 58-62-65mm  | 4.0  | 241.0 |
| FG 38/9  | 68-70-75mm  | 4.0  | 241.0 |
| FG 38/10 | 80-85-90mm  | 5.0  | 280.0 |
| FG 38/11 | 92-95-100mm | 5.0  | 280.0 |
| FG 38/12 | 110-115mm   | 5.0  | 334.0 |
| FG 38/13 | 120-130mm   | 5.0  | 334.0 |
| FG 38/14 | 135-145mm   | 6.0  | 385.0 |
| FG 38/15 | 155-165mm   | 6.0  | 385.0 |
| FG 38/16 | 180-195mm   | 6.0  | 466.0 |



## T-HANDLE WRENCH

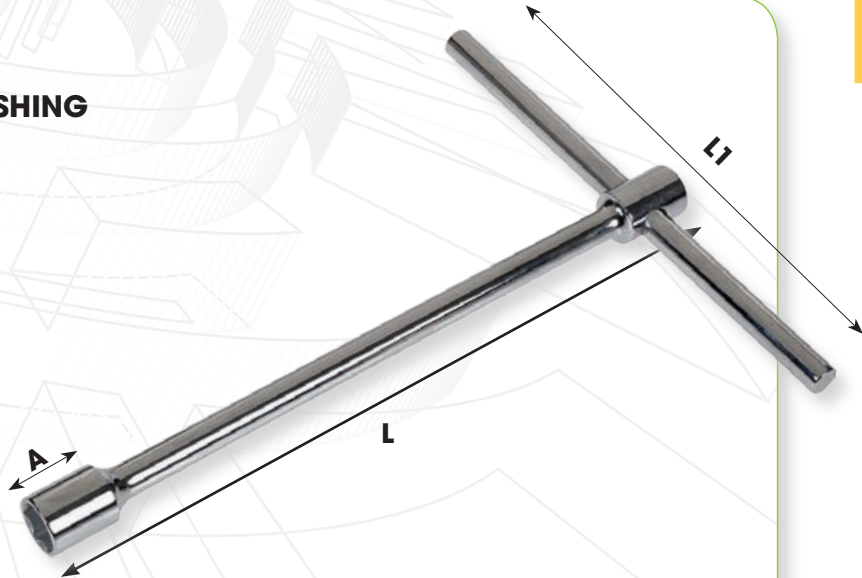
### → USE

hex and 12pt nuts

### → FINISHING

mirror

| CODE       | mm | A/mm | L1/mm | L/mm  |
|------------|----|------|-------|-------|
| FG 616/A8  | 8  | 10.0 | 160.0 | 220.0 |
| FG 616/A10 | 10 | 12.0 | 160.0 | 230.0 |
| FG 616/A12 | 12 | 15.0 | 175.0 | 242.0 |
| FG 616/A13 | 13 | 18.0 | 175.0 | 246.0 |
| FG 616/A14 | 14 | 19.0 | 190.0 | 252.0 |
| FG 616/A17 | 17 | 23.0 | 220.0 | 267.0 |



Set of T-Handle wrenches

| CODE       | Pcs | CONTENT                 |
|------------|-----|-------------------------|
| FG 616A/S6 | 6   | 8, 10, 12, 13, 14, 17mm |

## T-HANDLE WRENCH

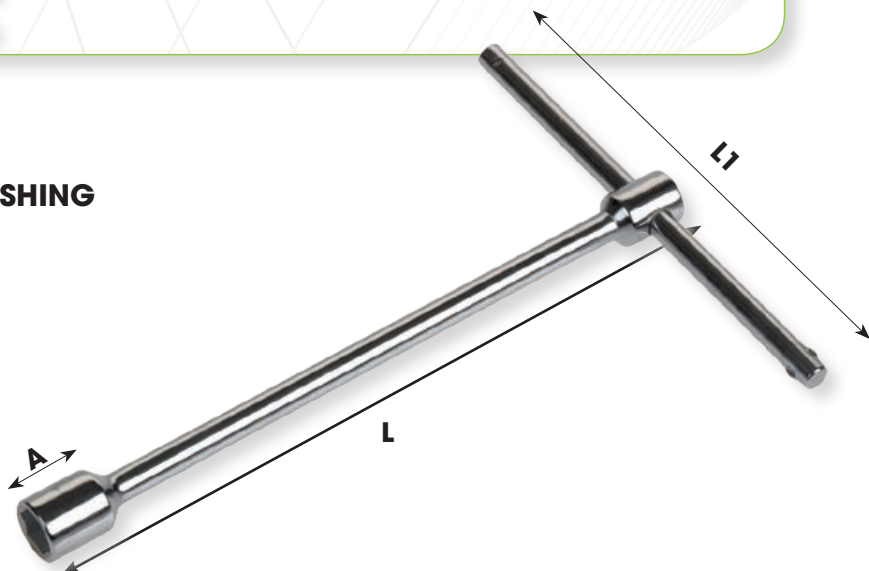
### → USE

hex and 12pt nuts

### → FINISHING

mirror

| CODE       | mm | A/mm | L1/mm | L/mm |
|------------|----|------|-------|------|
| FG 616/B6  | 6  | 13.0 | 141   | 218  |
| FG 616/B7  | 7  | 13.0 | 141   | 218  |
| FG 616/B8  | 8  | 13.0 | 141   | 237  |
| FG 616/B9  | 9  | 14.0 | 142   | 263  |
| FG 616/B10 | 10 | 14.0 | 166   | 263  |
| FG 616/B11 | 11 | 16.0 | 166   | 263  |
| FG 616/B12 | 12 | 14.0 | 166   | 263  |
| FG 616/B13 | 13 | 19.1 | 166   | 263  |
| FG 616/B14 | 14 | 17.0 | 166   | 289  |
| FG 616/B15 | 15 | 18.0 | 201   | 289  |
| FG 616/B16 | 16 | 22.0 | 201   | 289  |
| FG 616/B17 | 17 | 22.0 | 201   | 289  |
| FG 616/B18 | 18 | 22.0 | 201   | 312  |
| FG 616/B19 | 19 | 20.0 | 201   | 312  |



| CODE       | mm | A/mm | L1/mm | L/mm |
|------------|----|------|-------|------|
| FG 616/B21 | 21 | 24.0 | 251   | 313  |
| FG 616/B22 | 22 | 25.0 | 253   | 313  |
| FG 616/B24 | 24 | 26.0 | 301   | 317  |

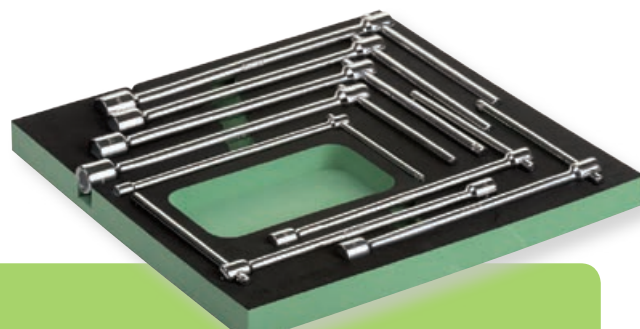
Set of T-Handle wrenches

| CODE       | Pcs | CONET  |
|------------|-----|--|
| FG 616/S10 | 10  | 6,7,8,10,11,12,13,14,17,19                     |
| FG 616/S14 | 14  | 6,7,8,9,10,11,12,13,14,15,16,17,19,22          |
| FG 616/S17 | 17  | 6,7,8,9,10,11,12,13,14,15,16,17,18,19,21,22,24 |



Form of T-Handle wrenches

| CODE      | Pcs | CONET               |
|-----------|-----|---------------------|
| FG 100/11 | 7   | 8,10,11,13,14,17,19 |



# T-HANDLE WRENCHES

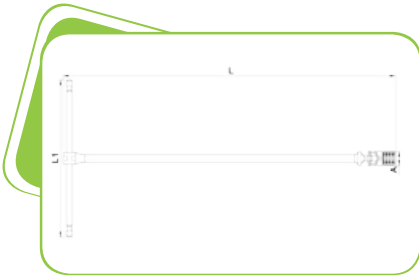
## SWIVEL T-HANDLE WRENCH

### → USE

Hexagonal bolts

### → FINISH

smooth satin



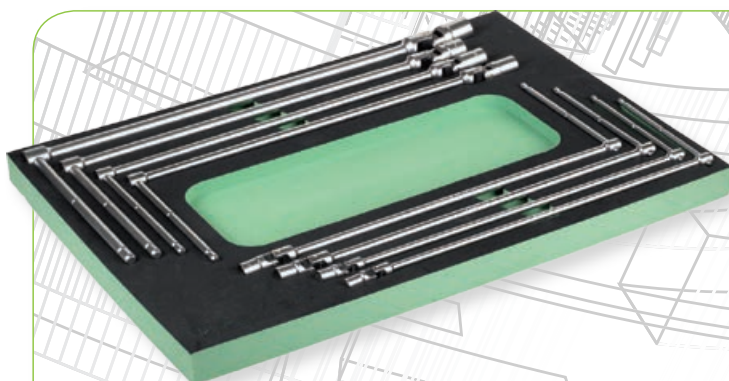
| CODE       | mm | A/mm | L1/mm | L/mm |
|------------|----|------|-------|------|
| FG 618/A6  | 6  | 13.0 | 396   | 146  |
| FG 618/A7  | 7  | 13.0 | 397   | 146  |
| FG 618/A8  | 8  | 13.0 | 397   | 146  |
| FG 618/A9  | 9  | 13.0 | 397   | 146  |
| FG 618/A10 | 10 | 17.0 | 403   | 160  |
| FG 618/A11 | 11 | 17.0 | 403   | 160  |
| FG 618/A12 | 12 | 17.0 | 403   | 160  |
| FG 618/A13 | 13 | 20.0 | 431   | 175  |
| FG 618/A14 | 14 | 20.1 | 431   | 175  |

| CODE       | mm | A/mm | L1/mm | L/mm |
|------------|----|------|-------|------|
| FG 618/A15 | 15 | 20.1 | 448   | 200  |
| FG 618/A16 | 16 | 20.0 | 448   | 200  |
| FG 618/A17 | 17 | 24.0 | 448   | 200  |
| FG 618/A18 | 18 | 26.0 | 448   | 200  |
| FG 618/A19 | 19 | 28.0 | 501   | 230  |
| FG 618/A20 | 20 | 28.0 | 501   | 230  |
| FG 618/A21 | 21 | 29.0 | 501   | 230  |
| FG 618/A22 | 22 | 30.0 | 501   | 230  |
| FG 618/A23 | 23 | 32.0 | 501   | 230  |
| FG 618/A24 | 24 | 32.0 | 501   | 230  |



### Set of T-handles wrenches in carton box

| CODE       | Pcs | CONTENT   |
|------------|-----|---|
| FG 618/S7  | 7   | 8, 10, 11, 13, 14, 17, 19 mm                          |
| FG 618/S10 | 10  | 8, 10, 11, 12, 13, 14, 15, 16, 17, 19 mm              |
| FG 618/S18 | 18  | 6,7,8,9,10,11,12,13,14,15,16,17,18, 19,20,21,22,24 mm |



### Soft form of T-handle wrenches

| CODE       | Pc | CONTENT   |
|------------|----|---|
| FG 100/10C | 8  | 7, 8, 10, 11, 13, 14, 17, 19 mm                 |
| FG 100/10D | 12 | 7, 8, 10, 11, 12, 13, 14, 15, 16, 17, 18, 19 mm |



### Plastic tray of T-handle wrenches

| CODE       | Pc | CONTENT                         |
|------------|----|---------------------------------|
| FG 102/10C | 8  | 7, 8, 10, 11, 13, 14, 17, 19 mm |

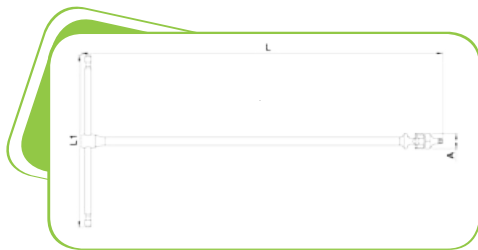
## T-HANDLE WRENCHES WITH SWIVELLING MALE ENDS

## - USE

Hexagon screw

## - FINISH

smooth satin

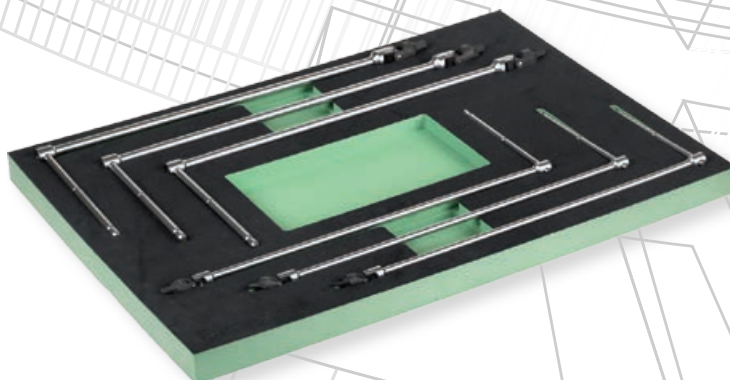


| CODE       | mm | A/mm | L1/mm | L/mm |  |
|------------|----|------|-------|------|--|
| FG 619/H3  | 3  | 13.0 | 399   | 146  |  |
| FG 619/H4  | 4  | 13.0 | 399   | 146  |  |
| FG 619/H5  | 5  | 13.0 | 399   | 146  |  |
| FG 619/H6  | 6  | 20.0 | 430   | 175  |  |
| FG 619/H8  | 8  | 20.0 | 430   | 175  |  |
| FG 619/H10 | 10 | 20.0 | 430   | 175  |  |



## Set of T-handle wrenches with swivelling hexagon male ends

| CODE       | Pc | CONTENT              |            |
|------------|----|----------------------|------------|
| FG 619H/S5 | 5  | 3, 4, 5, 6, 8, mm    | <b>NEW</b> |
| FG 619H/S6 | 6  | 3, 4, 5, 6, 8, 10 mm |            |



## Soft form of T-handle wrenches with swivelling hexagon male ends

| CODE       | Pc | CONTENT              |  |
|------------|----|----------------------|--|
| FG 100/10H | 6  | 3, 4, 5, 6, 8, 10 mm |  |

# T-HANDLE WRENCHES

## SWIVEL T-HANDLE WRENCHES WITH TORX SOCKET

→ USE

TORX bolts

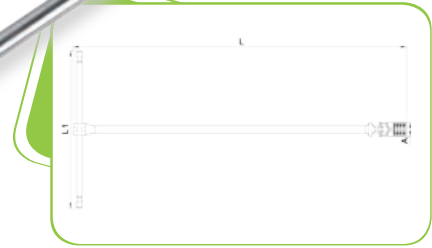
→ FINISH

smooth satin

| CODE       | TX  | A/mm | L1/mm | L/mm  |
|------------|-----|------|-------|-------|
| FG 618/E6  | E6  | 9.0  | 146.0 | 396.0 |
| FG 618/E7  | E7  | 9.0  | 146.0 | 396.0 |
| FG 618/E8  | E8  | 10.0 | 146.0 | 396.0 |
| FG 618/E10 | E10 | 13.0 | 146.0 | 396.0 |
| FG 618/E12 | E12 | 15.0 | 160.0 | 405.0 |
| FG 618/E14 | E14 | 17.0 | 160.0 | 405.0 |
| FG 618/E16 | E16 | 19.0 | 175.0 | 433.0 |
| FG 618/E18 | E18 | 21.0 | 200.0 | 449.0 |
| FG 618/E20 | E20 | 23.0 | 200.0 | 449.0 |



**NEW**



Set of swivel THandle wrenches with Torx socket

| CODE       | Pz | CONTENT                                      |
|------------|----|--|
| FG 618E/S9 | 9  | E6, E7, E8, E9, E10, E12, E14, E16, E18, E20 |

## T-HANDLE WRENCHES WITH SWIVELLING MALE ENDS

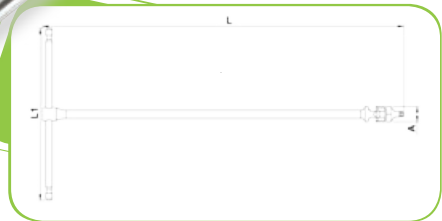
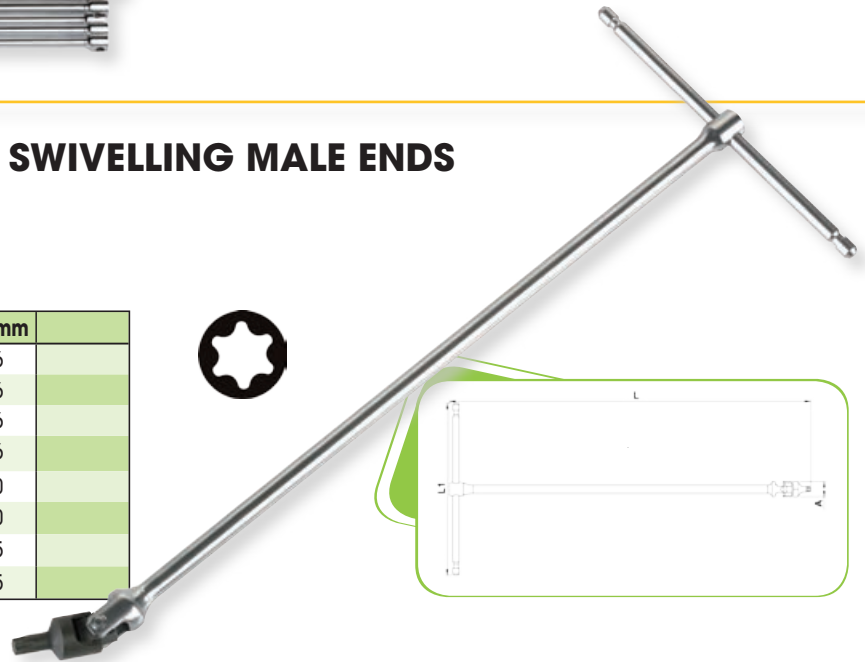
→ USE

TORX screws

→ FINITURA

smooth satin

| CODE        | mm   | A/mm | L1/mm | L/mm |
|-------------|------|------|-------|------|
| FG 619/TX20 | TX20 | 12.7 | 399   | 146  |
| FG 619/TX25 | TX25 | 12.7 | 399   | 146  |
| FG 619/TX27 | TX27 | 12.7 | 399   | 146  |
| FG 619/TX30 | TX30 | 12.7 | 399   | 146  |
| FG 619/TX40 | TX40 | 17.0 | 412   | 160  |
| FG 619/TX45 | TX45 | 17.0 | 412   | 160  |
| FG 619/TX50 | TX50 | 20.0 | 437   | 175  |
| FG 619/TX55 | TX55 | 20.0 | 437   | 175  |

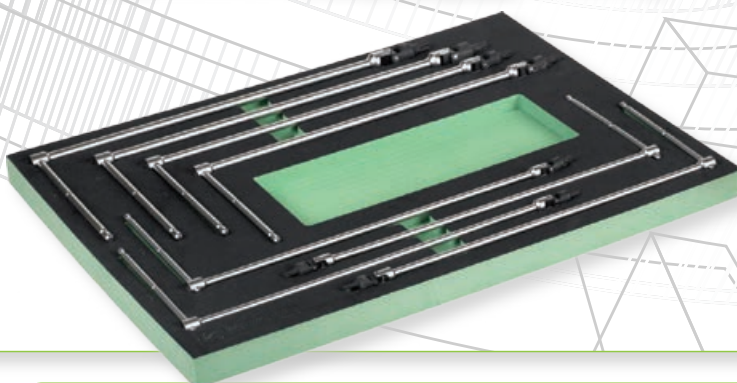


Set of T-handle wrenches with swivelling TORX male ends

| CODE        | Pz | CONTENT                          |
|-------------|----|----------------------------------|
| FG 619TX/S8 | 8  | TX20, 25, 27, 30, 40, 45, 50, 55 |

Soft form of T-handle wrenches with swivelling TORX male ends

| CODE        | Pc | CONTENT                          |
|-------------|----|----------------------------------|
| FG 100/10TX | 8  | TX20, 25, 27, 30, 40, 45, 50, 55 |



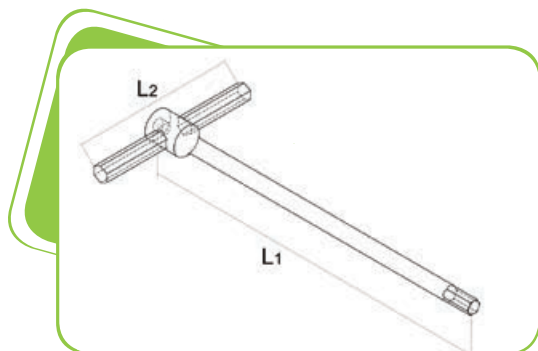
## T-Handle wrench with 3 hexagon male ends - sliding rod

### → USE

hex screws

### → FINISH

satin with burnished ends



| CODE        | mm  | L1/mm | L2/mm |
|-------------|-----|-------|-------|
| FG 621/H2   | 2   | 125.0 | 62.0  |
| FG 621/H2,5 | 2,5 | 125.0 | 62.0  |
| FG 621/H3   | 3   | 126.0 | 62.0  |
| FG 621/H3,5 | 3,5 | 127.0 | 64.0  |
| FG 621/H4   | 4   | 185.0 | 90.0  |
| FG 621/H4,5 | 4,5 | 181.0 | 85.0  |
| FG 621/H5   | 5   | 185.0 | 90.0  |

| CODE       | mm | L1/mm | L2/mm |
|------------|----|-------|-------|
| FG 621/H6  | 6  | 210.0 | 100.0 |
| FG 621/H7  | 7  | 212.0 | 105.0 |
| FG 621/H8  | 8  | 252.0 | 121.0 |
| FG 621/H9  | 9  | 300.0 | 145.0 |
| FG 621/H10 | 10 | 302.0 | 150.0 |
| FG 621/H12 | 12 | 322.0 | 166.0 |
| FG 621/H14 | 14 | 344.0 | 172.0 |



## Set of T-Handle wrenches with 3 hexagon ends

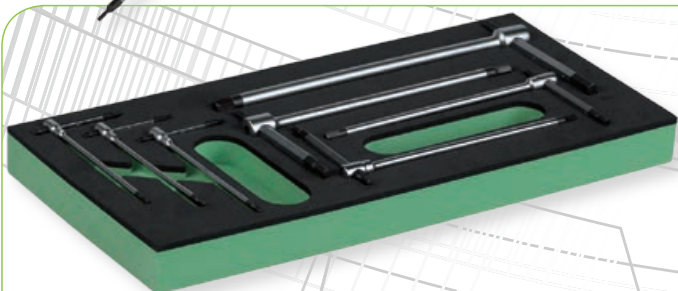
| CODE        | Pc | CONTENT                                |
|-------------|----|--|
| FG 621H/S8  | 8  | 2,2.5,3,3.5,4,5,6,8mm                  |
| FG 621H/S8B | 8  | 2,2.5,3,3.5,4,4.5,5,6mm                |
| FG 621H/S8C | 8  | 2,2.5,3,4,5,6,8,10mm                   |
| FG 621H/S14 | 14 | 2,2.5,3,3.5,4,4.5,5,6,7,8,9,10,12,14mm |

## Soft form of T-Handle wrenches with 3 hexagon ends

| CODE       | Pc | CONTENT           |
|------------|----|-------------------|
| FG 100/51H | 7  | 2,2.5,3,4,5,6,8mm |

## Plastic tray of T-Handle wrenches with 3 hexagon ends

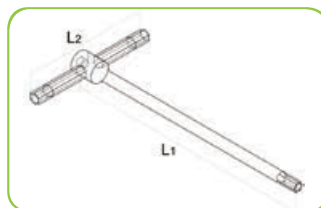
| CODE       | Pc | CONTENT           |
|------------|----|-------------------|
| FG 102/51H | 7  | 2,2.5,3,4,5,6,8mm |



# T-HANDLE WRENCHES

## T-Handle wrench with 3 hexagon male ends

| CODE        | mm  | L2/mm | L1/mm |
|-------------|-----|-------|-------|
| FG 622/H2   | 2   | 62.0  | 125.0 |
| FG 622/H2,5 | 2,5 | 62.0  | 125.0 |
| FG 622/H3   | 3   | 75.0  | 150.0 |
| FG 622/H3,5 | 3,5 | 75.0  | 150.0 |
| FG 622/H4   | 4   | 90.0  | 180.0 |
| FG 622/H4,5 | 4,5 | 90.0  | 180.0 |
| FG 622/H5   | 5   | 105.0 | 210.0 |
| FG 622/H6   | 6   | 105.0 | 210.0 |
| FG 622/H7   | 7   | 105.0 | 210.0 |
| FG 622/H8   | 8   | 125.0 | 250.0 |
| FG 622/H9   | 9   | 140.0 | 280.0 |
| FG 622/H10  | 10  | 150.0 | 300.0 |
| FG 622/H12  | 12  | 160.0 | 320.0 |
| FG 622/H14  | 14  | 170.0 | 340.0 |

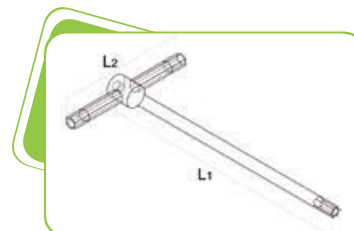
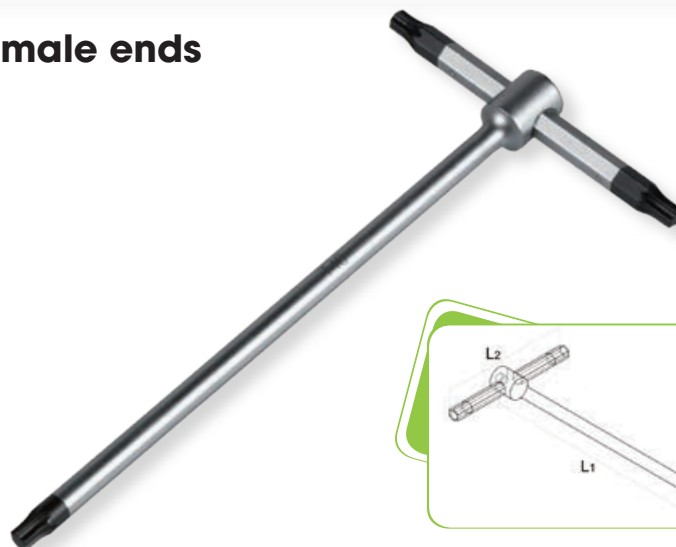


### Set of T-Handle wrenches with 3 Torx ends

| CODE       | Pc | CONTENT                  |
|------------|----|--------------------------|
| FG 622H/S6 | 6  | 2,5, 3, 4, 5, 6, 8mm     |
| FG 622H/S7 | 7  | 2,5, 3, 4, 5, 6, 8, 10mm |

## T-Handle wrench with 3 Torx male ends

| CODICE      | TX | L1/mm | L2/mm | €/Pz  |
|-------------|----|-------|-------|-------|
| FG 621/TX6  | 6  | 127.0 | 65.0  | 13,70 |
| FG 621/TX7  | 7  | 127.0 | 65.0  | 13,70 |
| FG 621/TX8  | 8  | 127.0 | 65.0  | 13,70 |
| FG 621/TX9  | 9  | 125.0 | 65.0  | 13,70 |
| FG 621/TX10 | 10 | 127.0 | 65.0  | 13,70 |
| FG 621/TX15 | 15 | 127.0 | 65.0  | 13,70 |
| FG 621/TX20 | 20 | 127.0 | 65.0  | 13,70 |
| FG 621/TX25 | 25 | 185.0 | 90.0  | 14,70 |
| FG 621/TX27 | 27 | 185.0 | 90.0  | 14,70 |
| FG 621/TX30 | 30 | 185.0 | 90.0  | 14,70 |
| FG 621/TX40 | 40 | 213.0 | 105.0 | 17,50 |
| FG 621/TX45 | 45 | 212.0 | 107.0 | 19,10 |
| FG 621/TX50 | 50 | 215.0 | 107.0 | 21,20 |

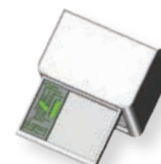


### Set of T-Handle wrenches with 3 Torx ends

| CODE         | Pc | CONTENT   |
|--------------|----|---|
| FG 621TX/S8  | 8  | 6, 7, 8, 9, 10, 15, 20, 25 TX                     |
| FG 621TX/S8B | 8  | 10, 15, 20, 25, 27, 30, 40, 45 TX                 |
| FG 621TX/S13 | 13 | 6, 7, 8, 9, 10, 15, 20, 25, 27, 30, 40, 45, 50 TX |

### Form of T-Handle wrenches with 3 Torx ends

| CODICE      | Pz | CONTENUTO                         |
|-------------|----|-----------------------------------|
| FG 100/51TX | 8  | 10, 15, 20, 25, 27, 30, 40, 45 TX |



## REVERSIBLE GEAR WRENCH

| CODE       | mm | A/mm | B/mm  | C/mm | D/mm | L/mm  |
|------------|----|------|-------|------|------|-------|
| FG 605/B6  | 6  | 17.1 | 16.7  | 7.7  | 4.7  | 134.0 |
| FG 605/B7  | 7  | 21.0 | 21.0  | 7.7  | 5.5  | 158.0 |
| FG 605/B8  | 8  | 17.1 | 16.7  | 7.7  | 4.7  | 134.0 |
| FG 605/B9  | 9  | 21.0 | 21.0  | 7.7  | 5.5  | 158.0 |
| FG 605/B10 | 10 | 21.0 | 21.0  | 7.7  | 5.5  | 158.0 |
| FG 605/B11 | 11 | 22.6 | 23.0  | 9.0  | 6.0  | 164.0 |
| FG 605/B12 | 12 | 23.8 | 25.0  | 9.0  | 6.2  | 167.0 |
| FG 605/B13 | 13 | 24.9 | 27.5  | 9.0  | 6.0  | 177.0 |
| FG 605/B14 | 14 | 27.6 | 29.0  | 9.1  | 7.0  | 189.8 |
| FG 605/B15 | 15 | 28.1 | 31.5  | 10.7 | 7.2  | 198.0 |
| FG 605/B16 | 16 | 29.9 | 33.0  | 10.7 | 7.5  | 204.0 |
| FG 605/B17 | 17 | 31.9 | 35.30 | 10.7 | 8.0  | 224.0 |
| FG 605/B18 | 18 | 33.4 | 36.50 | 11.0 | 8.6  | 235.4 |
| FG 605/B19 | 19 | 35.4 | 38.9  | 11.0 | 8.8  | 246.9 |
| FG 605/B21 | 21 | 42.6 | 45.7  | 13.0 | 9.5  | 280.0 |
| FG 605/B22 | 22 | 42.6 | 45.7  | 13.0 | 9.5  | 280.0 |
| FG 605/B24 | 24 | 46.5 | 51.7  | 13.5 | 10.0 | 310.0 |
| FG 605/B27 | 27 | 51.0 | 56.0  | 15.1 | 11.0 | 330.0 |
| FG 605/B30 | 30 | 64.0 | 65.5  | 18.0 | 12.5 | 425.0 |
| FG 605/B32 | 32 | 64.0 | 65.5  | 18.0 | 12.5 | 425.0 |



Set of reversible gear wrenches in carton box

| CODE        | Pz | CONTENT  |
|-------------|----|--|
| FG 605/SC6  | 6  | 8,10,13,14,17,19 mm                                    |
| FG 605/SC9  | 9  | 8,10,11,12,13,14,15,17,19 mm                           |
| FG 605/SC12 | 12 | 8,9,10,11,12,13,14,15,16,17,18,19 mm                   |
| FG 605/SC15 | 15 | 6,7,8,9,10,11,12,13,14,15,16,17,18,19,22 mm            |
| FG 605/SC18 | 19 | 8,9,10,11,12,13,14,15,16,17,18,19,21,22,24,27,30,32 mm |

Set of reversible gear wrenches with plastic support

| CODE      | Pz | CONTENT         |
|-----------|----|-----------------|
| FG 605/S5 | 5  | 8,10,13,17,19mm |



Set of reversible gear wrenches in nylon box

| CODE        | Pz | CONTENT                           |
|-------------|----|-----------------------------------|
| FG 605/SP6  | 6  | 8,10,13,14,17,19 mm               |
| FG 605/SP9  | 9  | 8,10,11,12,13,14,15,17,19 mm      |
| FG 605/SP11 | 11 | 8,9,10,11,12,13,14,15,16,17,19 mm |

Soft form of reversible gear wrenches

| CODE       | Pz | CONTENT                                     |
|------------|----|---|
| FG 100/08B | 11 | 8, 10, 11, 12, 13, 14, 15, 16, 17, 18, 19mm |

Plastic tray of reversible gear wrenches

| CODE       | Pz | CONTENT                                     |
|------------|----|---|
| FG 102/08B | 11 | 8, 10, 11, 12, 13, 14, 15, 16, 17, 18, 19mm |







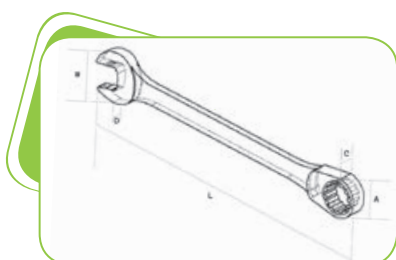
## NO-REVERSIBLE GEAR WRENCH

### → USE

Hex and 12PT bolts

### → FINISH

Chrome satin



| CODE       | mm | A/mm | B/mm | C/mm | D/mm | L/mm  |
|------------|----|------|------|------|------|-------|
| FG 606/B8  | 8  | 17.1 | 16.7 | 7.7  | 4.7  | 134.4 |
| FG 606/B9  | 9  | 21.0 | 21.0 | 7.7  | 5.5  | 158.5 |
| FG 606/B10 | 10 | 21.0 | 21.0 | 7.7  | 5.5  | 158.5 |
| FG 606/B11 | 11 | 22.6 | 23.0 | 9.0  | 6.0  | 164.6 |
| FG 606/B12 | 12 | 23.8 | 25.0 | 9.0  | 6.2  | 167.7 |
| FG 606/B13 | 13 | 24.9 | 27.5 | 9.0  | 6.0  | 177.4 |

| CODE       | mm | A/mm | B/mm | C/mm | D/mm | L/mm  |
|------------|----|------|------|------|------|-------|
| FG 606/B14 | 14 | 27.6 | 29.0 | 9.1  | 7.0  | 189.8 |
| FG 606/B15 | 15 | 28.1 | 31.5 | 10.7 | 7.2  | 198.4 |
| FG 606/B16 | 16 | 29.9 | 33.0 | 10.7 | 7.5  | 205.4 |
| FG 606/B17 | 17 | 31.9 | 35.3 | 10.7 | 8.0  | 224.4 |
| FG 606/B18 | 18 | 33.4 | 36.5 | 11.0 | 8.6  | 235.4 |
| FG 606/B19 | 19 | 35.4 | 38.9 | 11.0 | 8.8  | 246.9 |

### Set of NO-reversible gear wrenches in carton box



| CODE        | Pz | CONTENT                              |
|-------------|----|--------------------------------------|
| FG 606/SC6  | 6  | 8,10,13,14,17,19 mm                  |
| FG 606/SC9  | 9  | 8,10,11,12,13,14,15,17,19 mm         |
| FG 606/SC12 | 12 | 8,9,10,11,12,13,14,15,16,17,18,19 mm |



### Set of NO-reversible gear wrenches in nylon box

| CODE        | Pz | CONTENT                           |
|-------------|----|-----------------------------------|
| FG 606/SP6  | 6  | 8,10,13,14,17,19 mm               |
| FG 606/SP9  | 9  | 8,10,11,12,13,14,15,17,19 mm      |
| FG 606/SP11 | 11 | 8,9,10,11,12,13,14,15,16,17,19 mm |



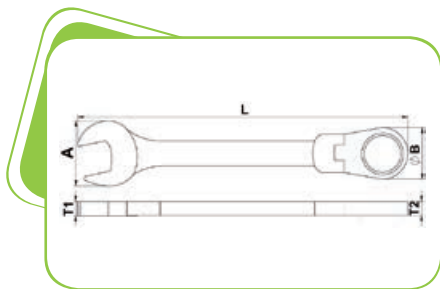
## FLEXIBLE GEAR WRENCH

### → USE

Hexagonal and 12PT bolts

### → FINISH

Chrome satin



| CODE        | mm | A/mm | B/mm | T1mm | T2mm | L/mm |  |
|-------------|----|------|------|------|------|------|--|
| FG 610/FL8  | 8  | 16.7 | 17.1 | 4.7  | 7.7  | 134  |  |
| FG 610/FL9  | 9  | 21.0 | 21.0 | 5.5  | 7.7  | 158  |  |
| FG 610/FL10 | 10 | 21.0 | 21.0 | 5.5  | 7.7  | 158  |  |
| FG 610/FL11 | 11 | 23.0 | 22.6 | 6.0  | 9.0  | 164  |  |
| FG 610/FL12 | 12 | 25.0 | 23.8 | 6.2  | 9.0  | 167  |  |
| FG 610/FL13 | 13 | 27.5 | 24.9 | 6.0  | 9.0  | 177  |  |

| CODE        | mm | A/mm | B/mm | T1mm | T2mm | L/mm |  |
|-------------|----|------|------|------|------|------|--|
| FG 610/FL14 | 14 | 29.0 | 27.0 | 7.0  | 9.1  | 189  |  |
| FG 610/FL15 | 15 | 31.5 | 28.1 | 7.2  | 10.7 | 198  |  |
| FG 610/FL16 | 16 | 33.0 | 29.9 | 7.5  | 10.7 | 204  |  |
| FG 610/FL17 | 17 | 34.9 | 31.9 | 8.0  | 10.7 | 224  |  |
| FG 610/FL18 | 18 | 36.5 | 33.4 | 8.6  | 10.7 | 235  |  |
| FG 610/FL19 | 19 | 38.9 | 34.4 | 8.8  | 11.1 | 245  |  |



### Set of flexible gear wrenches in nylon pouch

| CODE          | Pc | CONTENT                                      |  |
|---------------|----|--|--|
| FG 610FL/SP6  | 6  | 8, 10, 13, 15, 17, 19 mm                     |  |
| FG 610FL/SP9  | 9  | 8, 10, 12, 13, 15, 16, 17, 18, 19 mm         |  |
| FG 610FL/SP11 | 11 | 8, 10, 11, 12, 13, 14, 15, 16, 17, 18, 19 mm |  |



### Set of flexible gear wrenches in carton box

| CODE          | Pc | CONTENT   |  |
|---------------|----|---|--|
| FG 610FL/SC6  | 6  | 8, 10, 13, 16, 17, 19 mm                        |  |
| FG 610FL/SC9  | 9  | 8, 10, 11, 12, 13, 16, 17, 18, 19 mm            |  |
| FG 610FL/SC12 | 12 | 8, 9, 10, 11, 12, 13, 14, 15, 16, 17, 18, 19 mm |  |



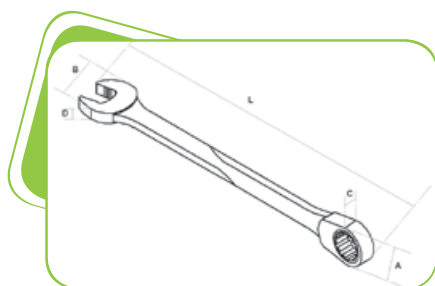
## UNIVERSAL COMBINATION GEAR Twister version

### → USE

Hexagonal bolts (intact and rounded off until **70%**), TORX, XZN, 12points and Square

### → FINISH

mirror



UNIVERSAL



NON-SLIP 50%

| CODE       | mm   | E   | ■  | C/mm | D/mm | L/mm |
|------------|------|-----|----|------|------|------|
| FG 612/A8  | 8mm  | E10 |    | 7.4  | 4.7  | 144  |
| FG 612/A9  | 9mm  |     |    | 7.4  | 5.0  | 148  |
| FG 612/A10 | 10mm | E12 | 8  | 8.4  | 5.7  | 158  |
| FG 612/A11 | 11mm | E14 |    | 8.4  | 6.1  | 165  |
| FG 612/A12 | 12mm | E16 | 10 | 8.4  | 6.4  | 173  |
| FG 612/A13 | 13mm | E18 | 11 | 8.4  | 6.6  | 182  |
| FG 612/A14 | 14mm |     | 12 | 8.4  | 7.3  | 190  |

| CODE       | mm   | E   | ■  | C/mm | D/mm | L/mm |
|------------|------|-----|----|------|------|------|
| FG 612/A15 | 15mm |     |    | 8.4  | 7.5  | 202  |
| FG 612/A16 | 16mm | E20 |    | 10.0 | 7.7  | 215  |
| FG 612/A17 | 17mm |     | 13 | 10.0 | 7.9  | 229  |
| FG 612/A18 | 18mm | E22 | 15 | 11.5 | 8.4  | 240  |
| FG 612/A19 | 19mm | E24 | 16 | 11.5 | 8.7  | 252  |
| FG 612/A21 | 21mm |     |    | 12.5 | 9.3  | 275  |
| FG 612/A22 | 22mm | E28 |    | 13.5 | 10.0 | 285  |
| FG 612/A24 | 24mm | E30 |    | 13.5 | 10.8 | 296  |



### Set of no reversible and UNIVERSAL combination gear wrenches in nylon pouch - TWISTER VERSION

| CODE         | Pc | CONTENT                                      |
|--------------|----|--|
| FG 612A/SP6  | 6  | 8, 10, 13, 15, 17, 19 mm                     |
| FG 612A/SP9  | 9  | 8, 10, 12, 13, 15, 16, 17, 18, 19 mm         |
| FG 612A/SP11 | 11 | 8, 10, 11, 12, 13, 14, 15, 16, 17, 18, 19 mm |



### Form of no reversible and UNIVERSAL combination gear wrenches in nylon pouch - TWISTER VERSION

| CODE       | Pc | CONTENT   |
|------------|----|---|
| FG 100/02B | 12 | 8, 9, 10, 11, 12, 13, 14, 15, 16, 17, 18, 19 mm |



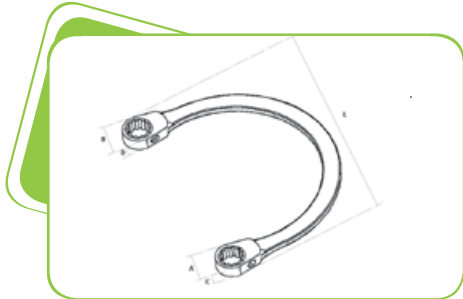
## UNIVERSAL GEAR WRENCH, moon series

### → USE

Hexagonal bolts (intact and rounded off until 50%), TORX, XZN, 12points and Square

### → FINISH

mirror



UNIVERSAL



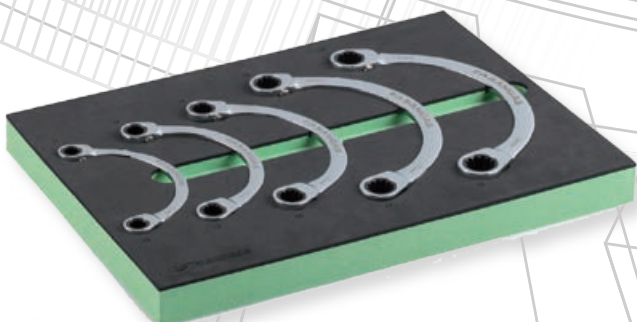
UNIVERSAL

| CODE          | mm    | E       | ■     | C/mm | D/mm | L/mm |  |
|---------------|-------|---------|-------|------|------|------|--|
| FG 609/B10x11 | 10x11 | E12xE14 | 8     | 8.4  | 8.4  | 141  |  |
| FG 609/B12x13 | 12x13 | E16xE18 | 10x11 | 8.4  | 8.4  | 154  |  |
| FG 609/B14x15 | 14x15 |         | 12    | 8.4  | 8.4  | 175  |  |
| FG 609/B16x17 | 16x17 | E20     | 13    | 10.0 | 10.0 | 207  |  |
| FG 609/B18x19 | 18x19 | E22xE24 | 15x16 | 10.0 | 10.0 | 224  |  |



Set of 5pcs Universal double gear wrenches moon series

| CODE       | Pc | CONTENT                              |  |
|------------|----|--------------------------------------|--|
| FG 609/BS5 | 5  | 10x11, 12x13, 14x15, 16x17, 18x19 mm |  |



Form of 5pcs Universal double gear wrenches

| CODE       | Pc | CONTENT                              |  |
|------------|----|--------------------------------------|--|
| FG 100/05C | 5  | 10x11, 12x13, 14x15, 16x17, 18x19 mm |  |





## DOUBLE UNIVERSAL GEAR WRENCH 75° offset

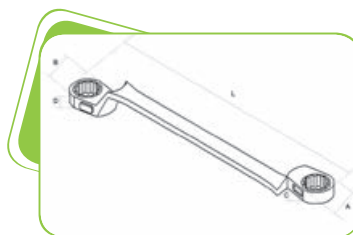
### → USE

Hexagonal bolts (intact and rounded off until **50%**), TORX, XZN, 12points and Square

### → FINISH

mirror

| CODE          | mm    | E       | ■ | A/mm | B/mm | L/mm |  |
|---------------|-------|---------|---|------|------|------|--|
| FG 615/A8x9   | 8x9   | E10     |   | 17.4 | 19.0 | 190  |  |
| FG 615/A10x11 | 10x11 | E12xE14 |   | 20.7 | 21.8 | 210  |  |
| FG 615/A12x13 | 12x13 | E16xE18 |   | 22.9 | 24.7 | 235  |  |
| FG 615/A14x15 | 14x15 | E14xE15 |   | 26.2 | 27.9 | 250  |  |
| FG 615/A16x18 | 16x18 | E20xE22 |   | 28.4 | 31.9 | 270  |  |
| FG 615/A17x19 | 17x19 | E24     |   | 30.0 | 33.7 | 275  |  |



Set of 6pcs double universal gear wrenches - 90 teeth

| CODE       | Pc | CONTENT                                  |  |
|------------|----|--|--|
| FG 615A/S6 | 6  | 8x9, 10x11, 12x13, 14x15, 16x18, 17x19mm |  |

## SET OF 8pcs TWINDRIVE GEAR WRENCHES

### → USE

mm and inch hex nuts

### → FINISH

mirror

| CODE   | Pc | CONTENT   |  |
|--------|----|---|--|
| FG 613 | 8  | 8, 10, 11, 13, 14, 16, 17, 19 mm<br>5/16, 3/8, 7/16, 9/16, 5/8, 11/16, 3/4" |  |



**ABLE TO ALLOW  
MM AND INCH BOLTS**



## UNIVERSAL GEAR WRENCH, with swivel head and aluminum handle

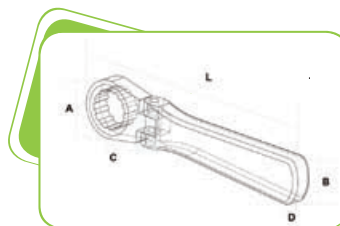
### → USE

Hexagonal bolts (intact and rounded off until **70%**), TORX, XZN, 12points and Square

### → FINISH

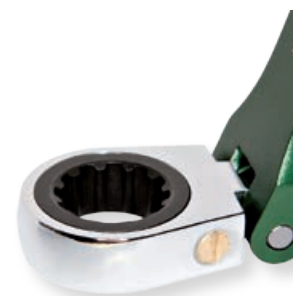
mirror

| CODE       | mm   | E   | ■  | C/mm | D/mm | L/mm  |  |
|------------|------|-----|----|------|------|-------|--|
| FG 617/A8  | 8mm  | E10 |    | 18.0 | 16.9 | 89.8  |  |
| FG 617/A10 | 10mm | E12 | 8  | 21.0 | 19.5 | 103.3 |  |
| FG 617/A12 | 12mm | E16 | 10 | 23.5 | 21.5 | 116.2 |  |
| FG 617/A13 | 13mm | E18 | 11 | 25.0 | 21.5 | 117.0 |  |
| FG 617/A14 | 14mm |     | 12 | 26.5 | 23.5 | 129.7 |  |
| FG 617/A15 | 15mm |     |    | 28.0 | 23.5 | 131.4 |  |
| FG 617/A17 | 17mm |     | 13 | 30.5 | 25.6 | 144.0 |  |



Set of 7pcs gear wrenches

| CODE       | Pc | CONTENT                     |  |
|------------|----|-----------------------------|--|
| FG 617A/S7 | 7  | 8, 10, 12, 13, 14, 15, 17mm |  |



## UNIVERSAL GEAR WRENCH, with swivel heads

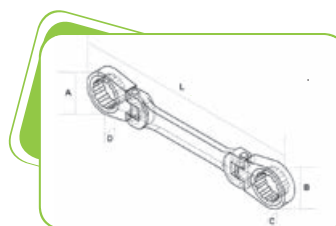
### → USE

Hexagonal bolts (intact and rounded off until **70%**), TORX, XZN, 12points and Square

| CODE          | mm    | E       | ■     | C/mm | D/mm | L/mm |  |
|---------------|-------|---------|-------|------|------|------|--|
| FG 617/B8x10  | 8x10  | E10xE12 | 8     | 18.0 | 19.5 | 235  |  |
| FG 617/B12x14 | 12x14 | E16     | 10x12 | 21.0 | 22.0 | 270  |  |
| FG 617/B13x15 | 13x15 | E18     | 11    | 23.5 | 25.0 | 300  |  |
| FG 617/B16x18 | 16x18 | E20xE22 | 15    | 29.0 | 32.0 | 375  |  |
| FG 617/B17x19 | 17x19 | E24     | 13x16 | 30.5 | 34.5 | 405  |  |

### → FINISH

mirror



Set of 5pcs Universal gear wrenches

| CODE       | Pc | CONTENT                            |  |
|------------|----|------------------------------------|--|
| FG 617B/S5 | 5  | 8x10, 12x14, 13x15, 16x18, 17x19mm |  |



## UNIVERSAL GEAR WRENCH, with swivel head and slim handle

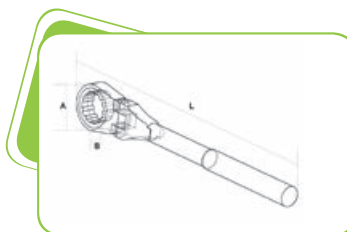
### → USE

Hexagonal bolts (intact and rounded off until **70%**),  
TORX, XZN, 12points and Square

### → FINISH

mirror

| CODE       | mm   | E   | ■  | A/mm | C/mm |  |
|------------|------|-----|----|------|------|--|
| FG 620/A8  | 8mm  | E10 |    | 18.0 | 7.4  |  |
| FG 620/A10 | 10mm | E12 | 8  | 21.0 | 7.4  |  |
| FG 620/A13 | 13mm | E18 | 11 | 25.0 | 8.4  |  |
| FG 620/A14 | 14mm |     | 12 | 26.0 | 8.4  |  |
| FG 620/A17 | 17mm |     | 13 | 30.5 | 8.4  |  |



### Set of Universal gear wrenches

| CODE       | Pz | CONTENT             |  |
|------------|----|---------------------|--|
| FG 620A/S3 | 3  | 10, 13, 17mm        |  |
| FG 620A/S5 | 5  | 8, 10, 13, 14, 17mm |  |

## UNIVERSAL GEAR WRENCH, extra-long series

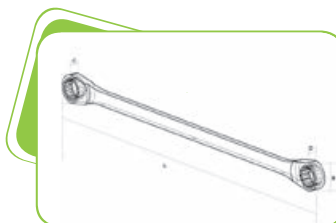
### → USE

Hexagonal bolts (intact and rounded off until **70%**),  
TORX, XZN, 12points and Square

### → FINISH

mirror

| CODE          | mm    | E       | ■     | C/mm | D/mm | L/mm |  |
|---------------|-------|---------|-------|------|------|------|--|
| FG 622/A8x9   | 8x9   | E10     |       | 18.0 | 19.5 | 235  |  |
| FG 622/A10x11 | 10x11 | E12xE14 | 8     | 21.0 | 22.0 | 270  |  |
| FG 622/A12x13 | 12x13 | E16xE18 | 10x11 | 23.5 | 25.0 | 300  |  |
| FG 622/A14x15 | 14x15 |         | 12    | 26.5 | 28.0 | 330  |  |
| FG 622/A16x18 | 16x18 | E20xE22 | 15    | 29.0 | 32.0 | 375  |  |
| FG 622/A17x19 | 17x19 | E24     | 13x16 | 30.5 | 34.5 | 405  |  |
| FG 622/A21x22 | 21x22 | E28     |       | 38.0 | 41.0 | 425  |  |
| FG 622/A24x27 | 24x27 | E30xE32 |       | 45.0 | 50.0 | 465  |  |



### Set chiavi a cricco UNIVERSALE serie extra-lunga

| CODE       | Pz | CONTENT                                   |  |
|------------|----|---|--|
| FG 622A/S6 | 6  | 8x9, 10x11, 12x13, 14x15, 16x18, 17x19 mm |  |
| FG 622A/S2 | 2  | 21x22, 24x27 mm                           |  |

