



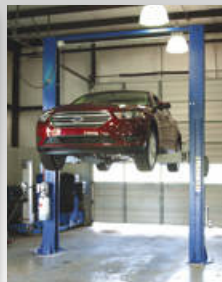
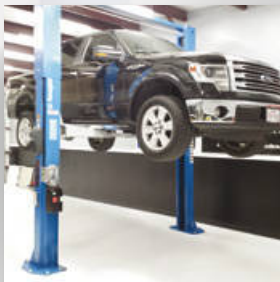
# Ravaglioli

COMPANY WITH  
QUALITY SYSTEM  
CERTIFIED BY DNV GL  
= ISO 9001 =

APPROVED EQUIPMENT  
ATTREZZATURE OMOLOGATE  
EQUIPEMENTS AGRÉES  
EQUIPOS HOMOLOGADOS  
WERKSGELISTETE GERÄTE



**KPH 370.32** - kg 3200  
**FSE 491 1106 002 00**  
**KPH 370.42** - kg 4200  
**FSE 491 1106 005 00**





**TD 1850WS FSE** - 8CCD - Bluetooth  
**FSE 491 2301 003 00**  
**TD 2200WS FSE** - 8CCD - Bluetooth  
**FSE 491 2301 004 00**



**TD 1780WS FSE** - 8CCD - Bluetooth  
**FSE 491 2301 002 00**  
**TD 1760WS FSE** - 6CCD - Bluetooth  
**FSE 491 2301 001 00**



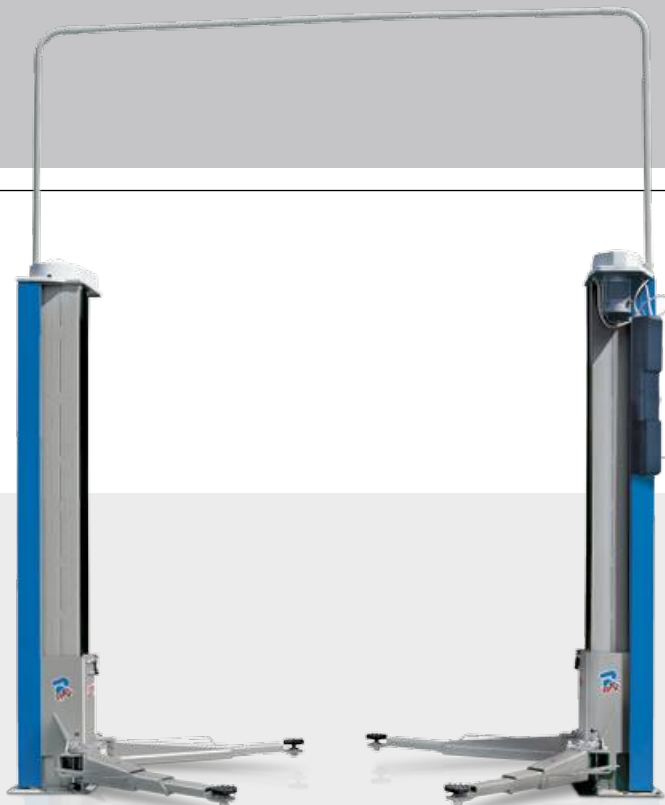
**RAV 640.2 SI** - kg 4200 - alignment  
**FSE 491 1108 002 00**  
**RAV 640.1** - kg 4200  
**FSE 491 1108 001 00**



**RAV 4350** - kg 3500 - 4300 mm  
**FSE 491 1107 001 00**  
**RAV 4405E** - kg 4000 - 5100 mm  
**FSE 491 1107 003 00**  
**RAV 4406L** - kg 4000 - 5100 mm - alignment  
**FSE 491 1107 002 00**



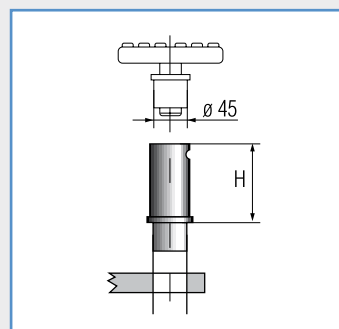
**J20NX** - Hand pump - kg 2000  
**FSE 491 1108 001 01**  
**J20PNXL** - Air-hydraulic - kg 2000  
**FSE 491 1108 001 02**



**KPX 336W** - kg 2700  
**FSE 491 1106 001 00**  
**KPX 337W** - kg 3200  
**FSE 491 1106 002 00**  
**KPN 349WELIK** - kg 4200  
**FSE 491 1106 005 00**  
**KPN 250 LIKT** - kg 5000  
**FSE 491 1106 006 00**



**KPS 326H** - kg 2700  
**FSE 491 1106 007 00**  
**KPS 305HE** - kg 2700  
**FSE 491 1106 009 00**  
**KPS 327H** - kg 3200  
**FSE 491 1106 008 00**  
**KPS 306HE** - kg 3200  
**FSE 491 1106 010 00**



**S 224 A4** - 140 mm extension  
**FSE 491 1106 005 02**



**RT 009/4SE** - **FSE**  
**FSE 491 2201 001 01**  
**RT 011/4SE** - **FSE**  
**FSE 491 2201 001 02**  
**RT 102**  
**FSE 491 2201 002 00**  
**RT 202**  
**FSE 491 2201 001 03/**  
**RT 320IN**  
**FSE 491 2201 001 04**  
**RAV 640.1** - kg 4200  
**FSE 491 1108 001 00**





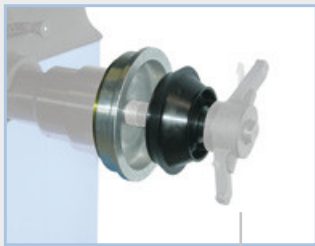
**G 7240.20**  
FSE 491 2101 001 00



**G 7441.20**  
FSE 491 2101 002 00



**G 7641.24 PLUS 83H**  
FSE 491 2101 003 00 FSE 491 2101 003 01



**GAR 113** - Ø 120-174  
FSE 491 2102 001 01



**G2.124R**  
FSE 491 2102 001 00



**RAV 518T**  
H min. 95 mm - kg 3000  
FSE 491 1108 005 00

**RAV 518NL**  
H min. 110 mm - kg 3000  
FSE 491 1108 006 00



**SC 20L** - kg 2000  
FSE 491 1113 002 00



**PX 15F** - 15 t  
FSE 491 1113 001 00

**ITALIA**

Ravaglioli S.p.A.  
via 1° maggio 3  
Fraz. Pontecchio M.  
40037 Sasso Marconi (Bo) - Italia  
Tel. +39 - 051 - 6781511  
Fax +39 - 051 - 846349  
rav@ravaglioli.com  
www.ravaglioli.com

**FRANCE**

RAV France  
6, Rue Longue Raie  
ZAC de la Tremblaie  
91220 Le Plessis Pâté  
Tel. 01.60.86.88.16  
Fax 01.60.86.82.04  
rav@ravfrance.fr

**DEUTSCHLAND**

Ravaglioli Deutschland  
Kirchenpoint 22  
85354 Freising  
Tel. 08165-646956  
Fax 08165-646958  
info@ravaglioli.de

**UNITED KINGDOM**

RAV Equipment UK LTD  
Prince Albert House  
20 King Street  
Maidenhead, SL6 1DT  
Tel. 020-76286832  
Fax 020-76286833  
ravuk@ravaglioli.com

**ESPAÑA**

RAV Equipos España  
Avenida Europa 17  
Pol. Ind. de Constanti  
Tarragona 43120  
Tel. 977 524525  
Fax 977 524532  
ravequipos@ravaglioli.e.telefonica.net

DRW03U (02)

