

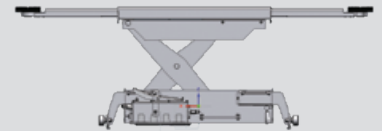
SPECIFICATION

Mercedes-Benz



Electro-hydraulic 4 post lift
Capacity 4 T

RAV4406 MB

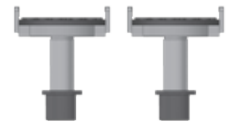


J30PMB
Includes:

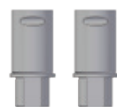
S305A4



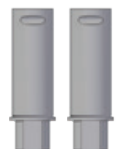
S370A19



H=80 MM



H=140 MM



Description

RAV4406 MB

Electro-hydraulic 4 post lift, capacity 4 T

Supplied with the lift:

Alignment runways

Rear built-in sliding tables front spacers for turn tables

Long run-up ramps

J30PMB - 3t Jacking Beam with MB specific adapters
(spiral cable included)

MKS - system to check lift planarity.

The MKS kit allows to place the four targets and check the perfect lift planarity. Targets, cameras and turn tables are part of the wheel aligner and not included with the lift.

Lighting Kit - four led

Energy Kit:

- 2 compressed air quick connections

- 1 electric plug Schuko 220V single phase

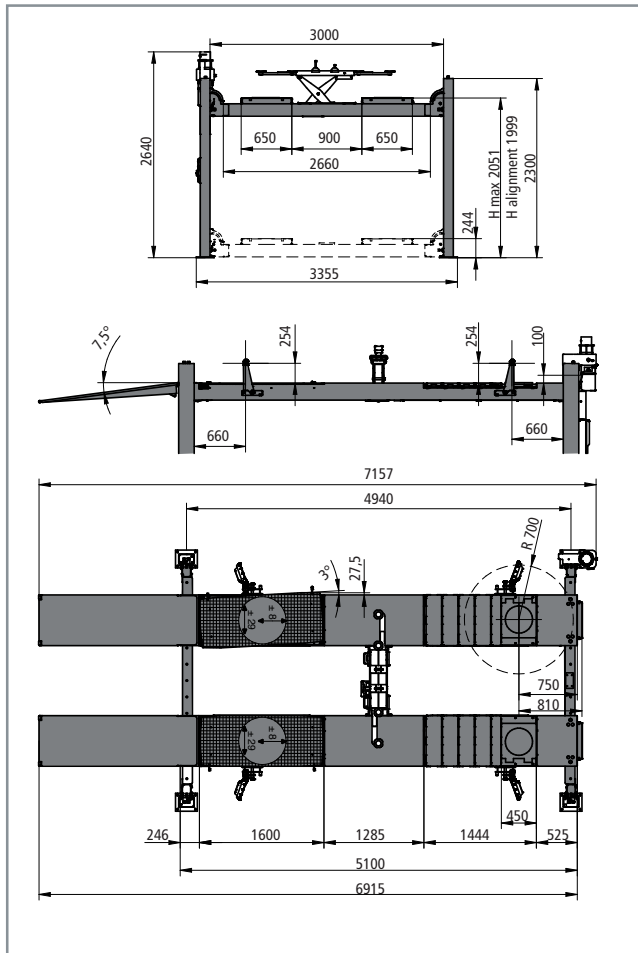
SPECIFICATION

Mercedes-Benz



Electro-hydraulic 4 post lift
Capacity 4 T

RAV4406 MB



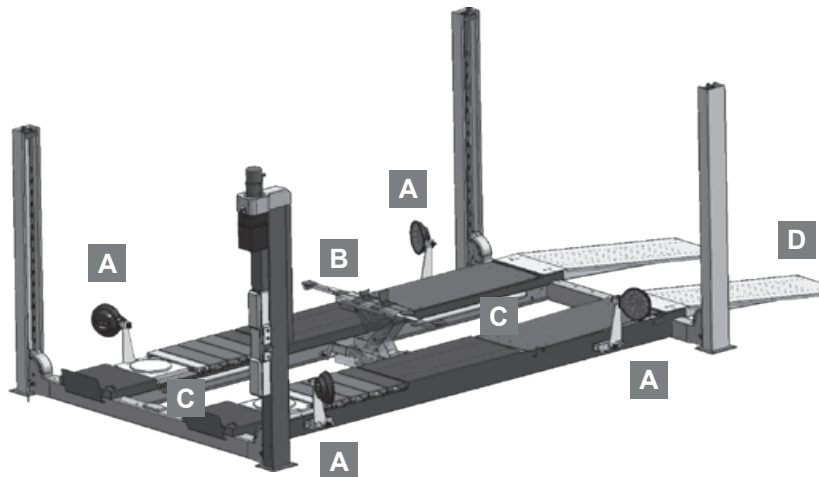
Alignment runways
Rear built-in sliding tables front
spacers for turn tables

The MKS kit allows to place the four
targets and check the perfect lift
planarity.
Targets, cameras and turn tables
are part of the wheel aligner and are
not included with the lift.

Inground version

RAV4406MB+UE3134

A	MKS system to check lift planarity.
B	J30PMB - 3t jacking beam with MB specific adapters (spiral cable included)
C	Lighting kit - four led
D	Long run up ramps



Ravaglioli S.p.A.

via 1° maggio 3 - Fraz. Pontecchio M. - 40037 Sasso Marconi (Bo) - Italia

Tel. +39 - 051-6781511 - Fax +39 - 051-846349 - rav@ravaglioli.com - www.ravaglioli.com

A DOVER COMPANY

DRW41U (03)