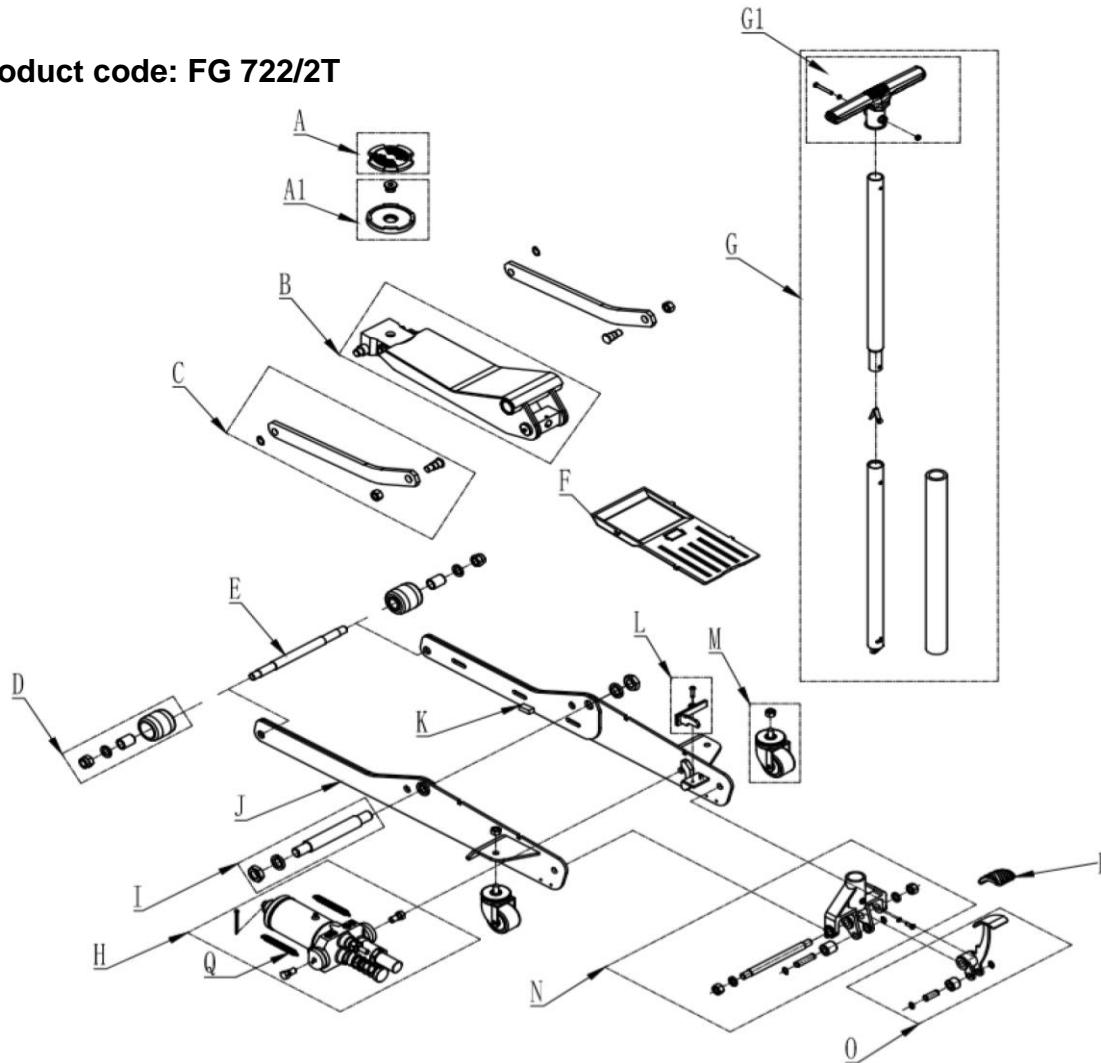


Product code: FG 722/2T



| REF. | CODE | DESCRIPTION | Q.TY/EACH TOOL |
|------|--------------|-------------------------|----------------|
| A | FG 722/2T-A | Rubber pad | 1 |
| A1 | FG 722/2T-A1 | Non-standard screw nut | 1 |
| | | Saddle | 1 |
| B | FG 722/2T-B | Lifting arm assy | 1 |
| C | FG 722/2T-C | Connecting rod | 2 |
| | | Clamp | 2 |
| | | Nylon locking screw nut | 2 |
| | | Connecting rod axel | 2 |
| D | FG 722/2T-D | Nylon locking screw nut | 2 |
| | | Spacer | 2 |
| | | Front wheel sleeve | 2 |
| | | Front Wheel | 2 |

| REF. | CODE | DESCRIPTION | Q.TY/EACH TOOL |
|-----------|--------------|-------------------------|----------------|
| E | FG 722/2T-E | Front wheel shaft | 2 |
| F | FG 722/2T-F | Spare parts tray | 1 |
| G | FG 722/2T-G | Handle Assy | 1 |
| G1 | FG 722/2T-G1 | T-handle | 1 |
| | | Inner hexagonal screw | 1 |
| | | Spring gasket | 1 |
| | | Outer hexagonal screw | 1 |
| H | FG 722/2T-H | Base bolt | 2 |
| | | Cotter pin | 1 |
| | | Oil Cylinder | 1 |
| I | FG 722/2T-I | Outer hexagonal screw | 2 |
| | | Spring gasket | 2 |
| | | Lifting shaft | 1 |
| J | FG 722/2T-J | Left frame | 1 |
| K | FG 722/2T-K | Right frame | 1 |
| L | FG 722/2T-L | Pressure relief plate | 1 |
| M | FG 722/2T-M | Nylon locking screw nut | 2 |
| | | Rear Wheel | 2 |
| N | FG 722/2T-N | Outer hexagonal screw | 2 |
| | | Spring gasket | 2 |
| | | Handle socket axel | 1 |
| | | Handle socket | 1 |
| | | Clamp | 1 |
| | | Handle socket bearing2 | 1 |
| | | Handle socket wheel2 | 1 |
| | | Inner hexagonal screw | 1 |
| | | Spring gasket | 1 |
| O | FG 722/2T-O | Foot pedal | 1 |
| | | Handle socket bearing1 | 1 |
| | | Handle socket wheel1 | 1 |
| | | Clamp | 1 |
| P | FG 722/2T-P | Foot rubber pad | 1 |
| Q | FG 722/2T-Q | Spring | 2 |