



Application

- Check-in
- Repair and maintenance
- Testing equipment

Approvals

- ML 2.35 Pv Combi:
Jaguar
- ML 2.35 Saav 135 Combi:
Volkswagen Group

Masterlift 2.35 Combi

Electro-hydraulic 2x twin-ram lift, 3.5 t, with platforms and Free-wheel device with flat lifting supports

Description:

Steel cassette:

- Waterproof steel cassette

Hydraulic unit:

- Hard-chrome plated cylinder
- Flexible synchronization and safety system
- Corrosion-free guiding elements
- Pump unit with immersed motor
- Ecological hydraulic fluid
- Pneumatic emergency lowering
- Programmable pushbutton control unit

Superstructure:

- FA set of platforms with drive-on ramps and stops

Free-wheel device Pv:

- Stable lifting supports, lengthwise adjustable
- Rubber-coated, non-skid pads
- Low minimum height

Free-wheel device Saav:

- Double-telescopic arms, sideways adjustable
- Internal arm locking system
- Low minimum height

Standard colours

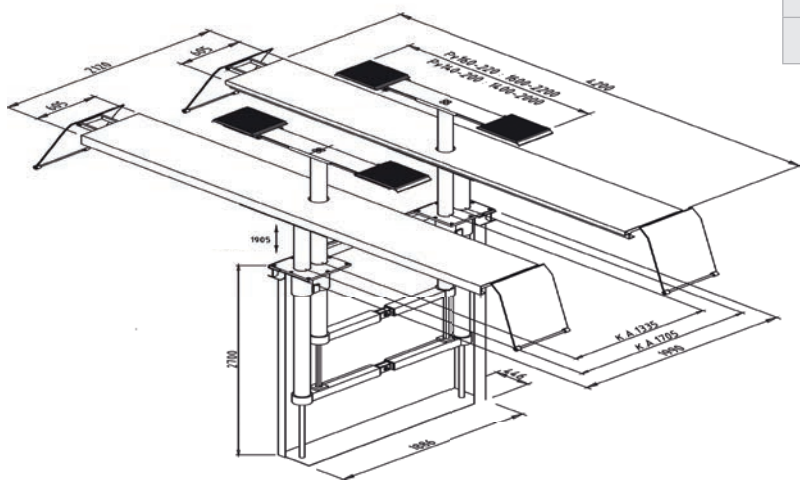
- Platforms: Grey RAL 7016
- Ramps: Red RAL 3020
- Saav: Base plate RAL 7016, arms and slider red RAL 3020
- Pv Premium: zinc coated and painted grey RAL 7016

Technical data	
Lifting capacity	3,500 kg
Lifting height	1,905 mm
Working height	P: 2,055 mm WF Saav: 2,135 mm WF Pv: 2,120 mm + Rubber pads
Cylinder diameter	4 x 123 mm
Distance between cylinders	1,335 / 1,705 mm
Lifting / lowering time	app. 35 Sec.
Foundation depth	2,875 mm
Pump unit	3.0 kW
Ecological hydraulic fluid	14 l
Voltage	230/400 V - 50 Hz - 16 A

Arm superstructure	
Total width	3,210 mm
Lifting pad included in the delivery	Uni: 11027 (95 - 135 mm) Sport: 29265 (70 - 95 mm)
Min. height	Uni: 95 - 135 mm Sport: 70 - 95 mm
Arm length, min. - max.	710 - 1,445 mm

Platforms	
Total length	app. 5,300 mm
Usable length of platform	4,200 mm
Wheel base	app. 3,700 mm
Platform width	605 mm
Distance between platforms	910 mm
Drive-on height	150 mm

Pv superstructure	
Total length min. - max.	120 - 180: app. 1,200 - 1,800 mm 140 - 200: app. 1,400 - 2,000 mm 160 - 220: app. 1,600 - 2,200 mm 170 - 240: app. 1,700 - 2,400 mm
Min. height	65 mm



autop Maschinenbau GmbH
 Sandkampstraße 90
 48432 Rheine | Germany
 ☎ +49 5971 8602-02
 📠 +49 5971 8602-25
 ✉ info@autopstenhøj.com

STENHOJ A/S
 Barrit Langgade 188-190
 7150 Barrit | Denmark
 ☎ +45 76821-330
 📠 +45 76821-331
 ✉ info@autopstenhøj.com

Versions:

Steel cassette:

- Zinc-coated
- Coated

Superstructure Pv:

- Lifting supports in different lengths (120-180, 140-200, 160-220 & 170-240)
- Also available as in-ground (140-200 or 160-220)

Installation:

- Superstructure on floor
- Superstructure in floor with or without flush floor device
- Ceiling installation

Optional extras:

- XY-pads
- Sets of rubber blocks, 40, 60, 80 and 100 mm
- Large program of extra pads

Special colours available on request!

