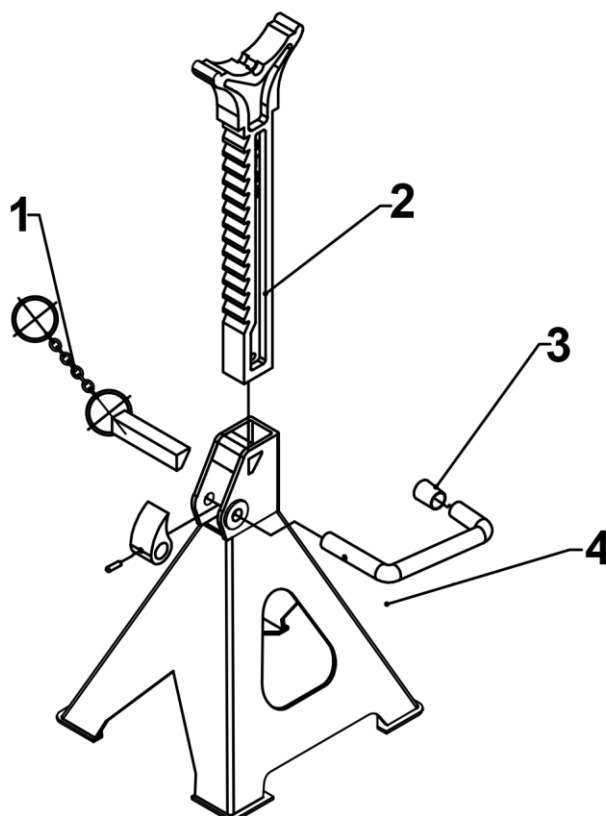


Product code: FG 725/3T



REF.	CODE	DESCRIPTION	Q.TY / EACH TOOL
1	FG 725/3T-1	PIN	1
2	FG 725/3T-2	COLUMN	1
3	FG 725/3T-3	CONTROL LEVER	1
4	FG 725/3T-4	BASE	1