

Application

- For use on Major platform lifts

Approvals

- Micro 20 & 26:
BMW / Mini



Micro 20 & 26 & 40 Air-hydraulic

Air-hydraulic scissor jacks with 2 & 2.6 & 4.0 capacity

Description:

Micro 20 & 26:

- Double-acting cylinder
- 2-hand operation
- Mechanical parking system
- Non-return valve
- Retaining device
- Double arm extension
- Galvanized arms

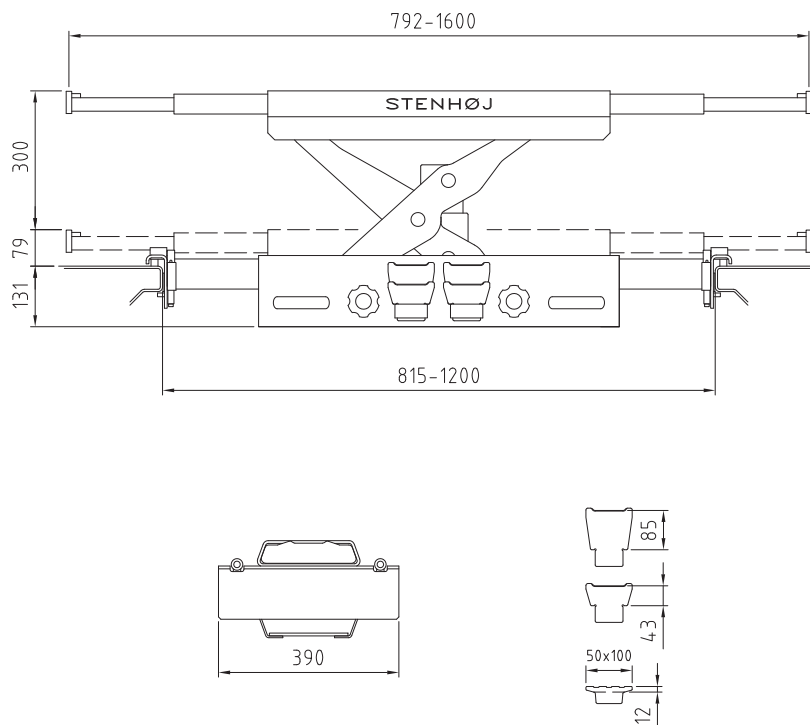
Micro 40

- 2-hand operation
- Deadman control
- Pressure relief valve
- Retaining device
- Double arm extension

Standard colours

- Red RAL 3020
- Grey RAL 7016

Technical data	
Lifting capacity	2,000 / 2,600 / 4,000 kg
Lifting height	300 / 250 mm
Drive-over height	75 mm
Lifting / lowering time	27/5 / 23/5 Sec.
Operation	Air-hydraulic
Pressure min. - max.	5,5/8 bar
Lift positions:	792 - 1,600 mm



autop Maschinenbau GmbH
 Sandkampstraße 90
 48432 Rheine | Germany
 ☎ +49 5971 8602-02
 📠 +49 5971 8602-25
 ✉ info@autopstenhoj.com

STENHOJ A/S
 Barrit Langgade 188-190
 7150 Barrit | Denmark
 ☎ +45 76821-330
 📠 +45 76821-331
 ✉ info@autopstenhoj.com

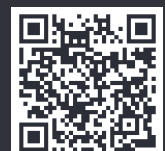
Versions:

- Micro 20 = 2,000 kg & 1,600 mm extension
- Micro 26 = 2,600 kg & 1,460 mm extension
- Micro 40 = 4,000 kg & 1,500 mm extension
- Special version Micro 26 = 2,600 kg & 1,600 mm extension
- Delivery includes a variety of pads

Optional extras:

- Air connection kits
- A large program of extra pads

Special colours available on request!



Produktdetails