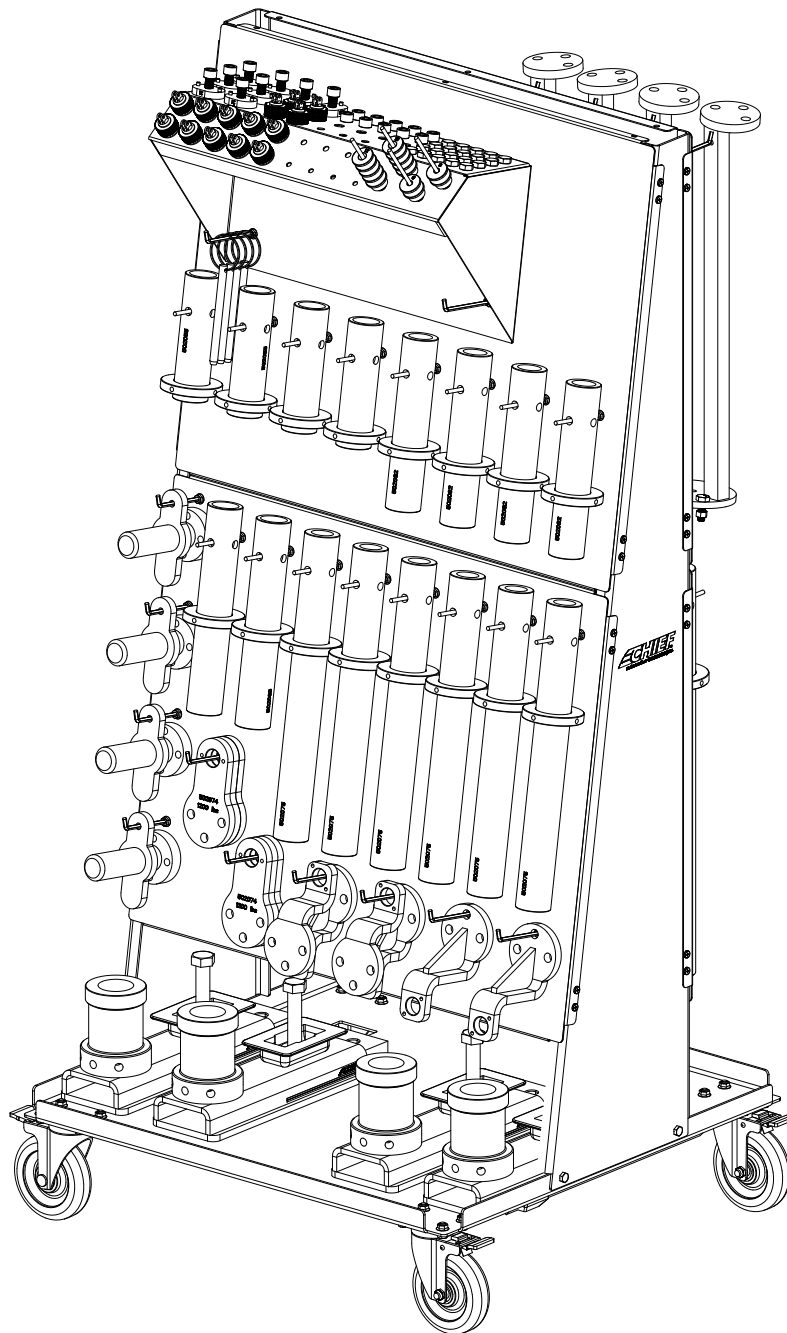


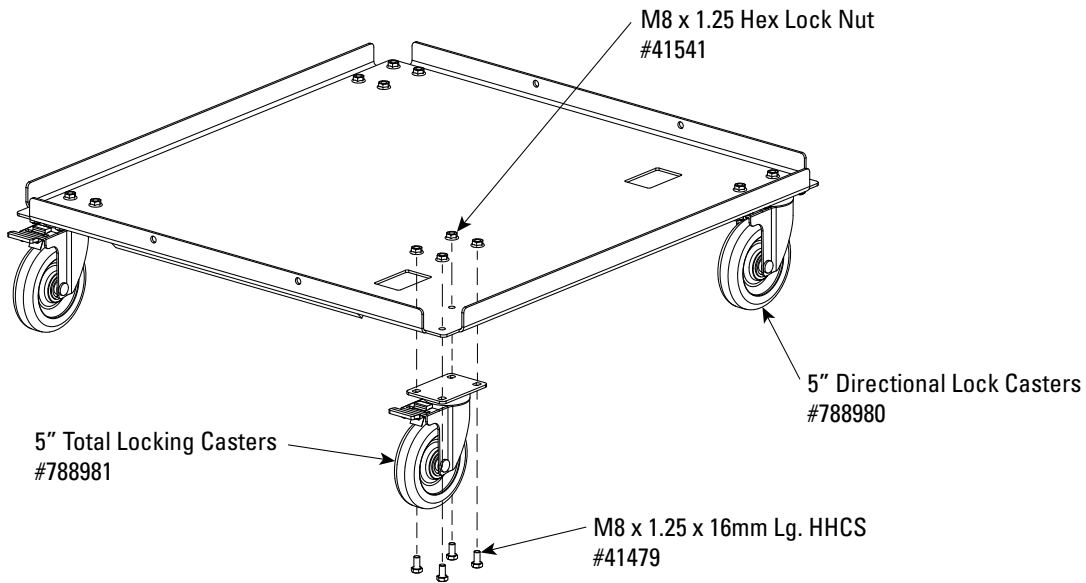
STRUCTURAL HOLDING, CT6 TOOL BOARD, AND CART ASSEMBLY



CT6 Structural Holding Tool Board Cart

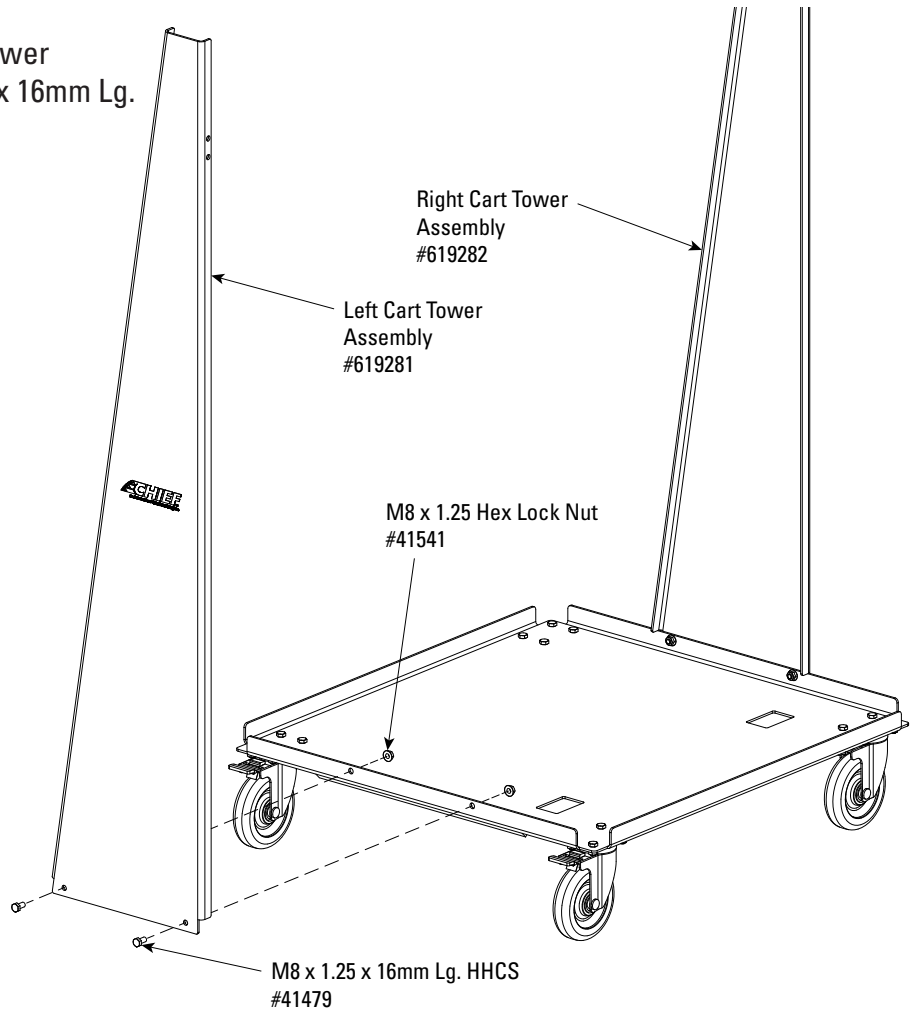
Step 1: Caster Assembly.

A.) Assemble 5" Casters using (4) M8 x 1.25 x 16mm Lg. HHCS and (4) M8 x 1.25 Hex Lock Nuts.



Step 2: Cart Tower Assembly.

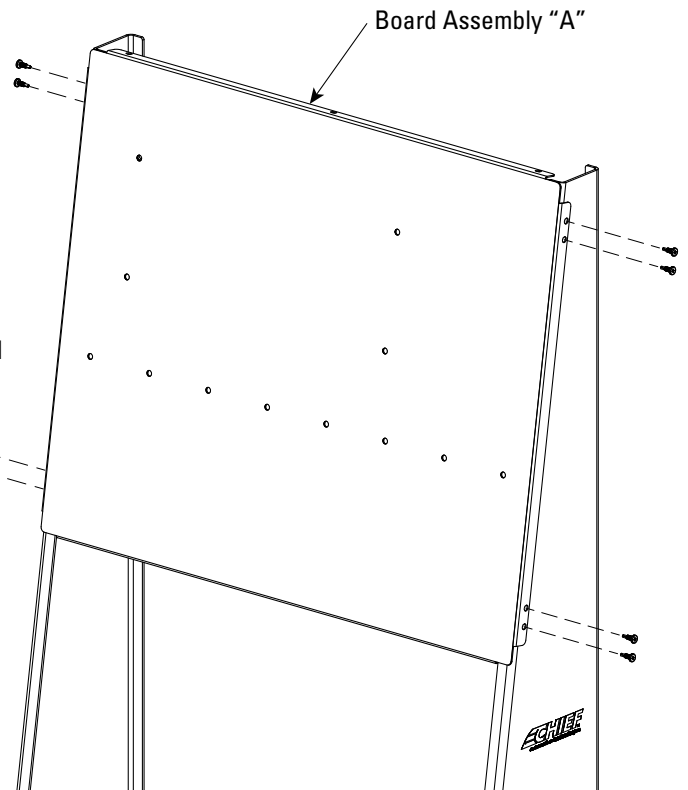
A.) Assemble the Left and Right Cart Tower Assembly supports using (2) M8 x 1.25 x 16mm Lg. HHCS and (2) M8 x 1.25 Hex Lock Nuts.



Step 3: Board Assembly "A".

A.) Assemble Board Assembly "A" to the Cart Tower Supports using (8) Phillips Pancake Head Self Drilling Screws. For driving screws, use #2 Square Drive Power Bit, 619295 provided (**Do Not** attempt using Phillips Drive).

Phillips Pancake Head
Self Drilling Screw
#619294

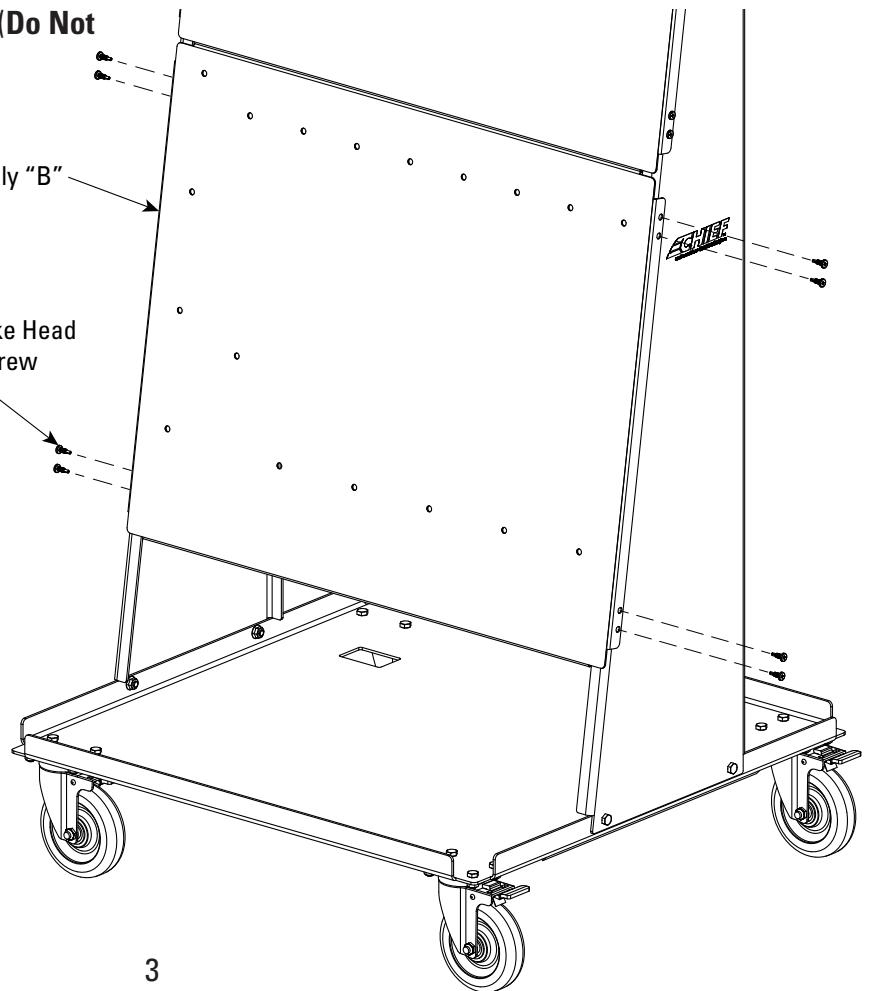


Step 4: Board Assembly "B".

A.) Assemble Board Assembly "B" to the Cart Tower Supports using (8) Phillips Pancake Head Self Drilling Screws. For driving screws, use #2 Square Drive Power Bit, 619295 provided (**Do Not** attempt using Phillips Drive).

Board Assembly "B"

Phillips Pancake Head
Self Drilling Screw
#619294

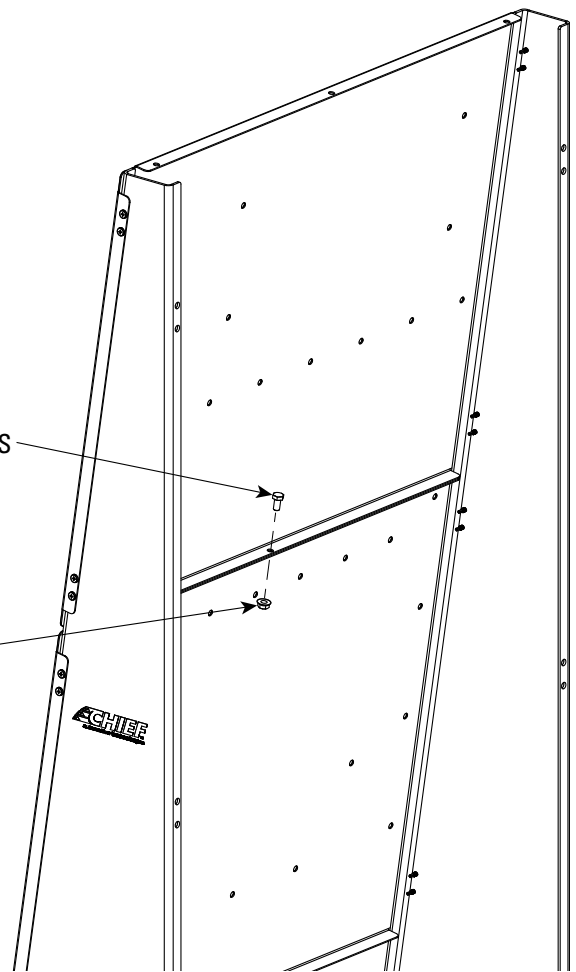


Step 5: Attaching Board Assemblies.

A.) Attach Anchor Board "A" and Anchor Board "B" together using (1) M8 x 1.25 x 16mm Lg. HHCS and (1) M8 x 1.25 Hex Lock Nut.

M8 x 1.25 x 16mm Lg. HHCS
#41479

M8 x 1.25 Hex Lock Nut
#41541

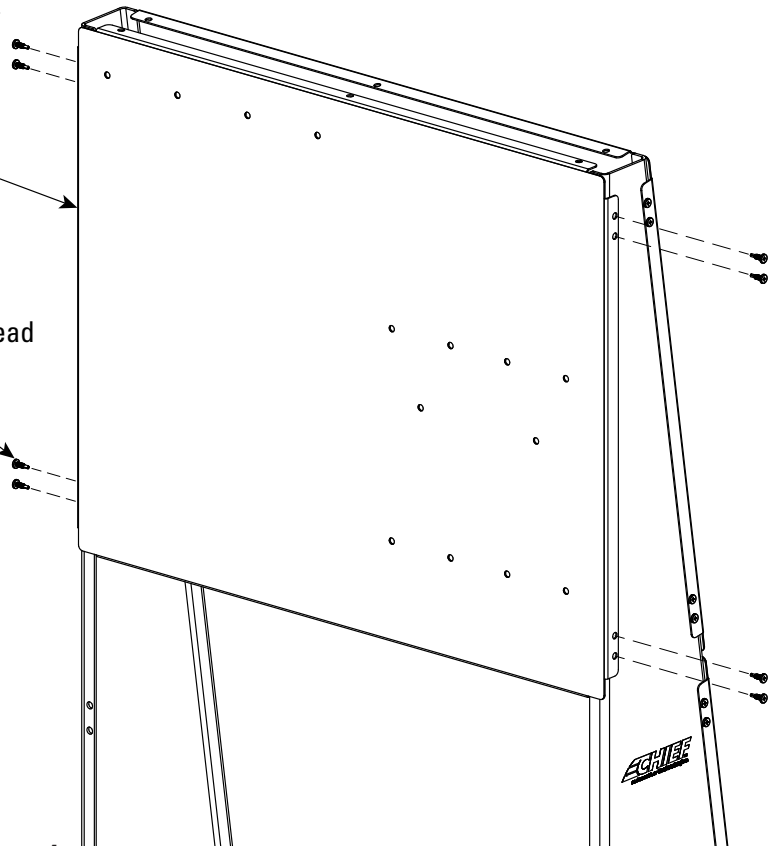


Step 6: Board Assembly "C".

A.) Assemble Board Assembly "C" to the Cart Tower Supports using (8) Phillips Pancake Head Self Drilling Screws. For driving screws, use #2 Square Drive Power Bit, 619295 provided (**Do Not** attempt using Phillips Drive).

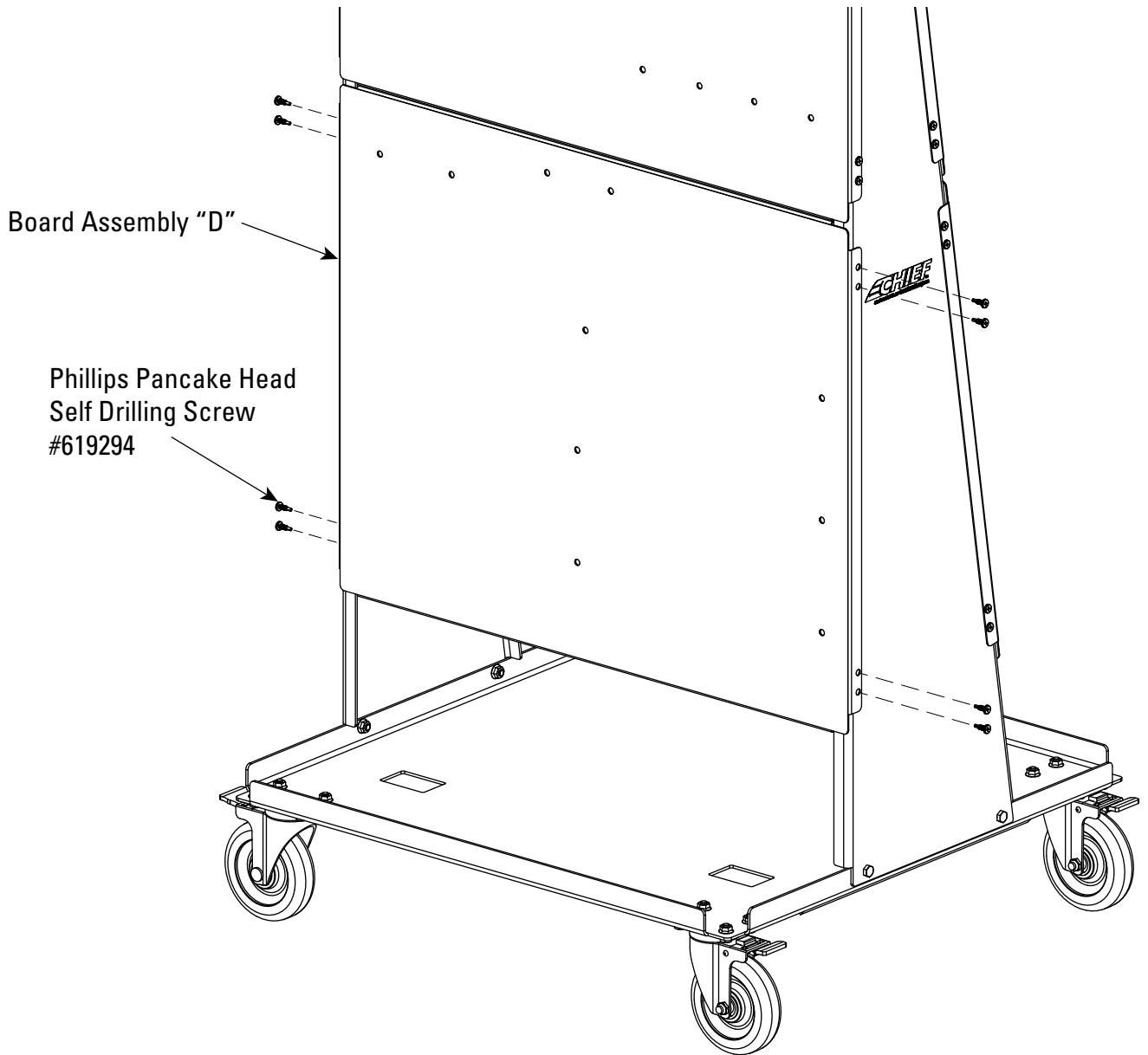
Board Assembly "C"

Phillips Pancake Head
Self Drilling Screw
#619294



Step 7: Board Assembly "D".

A.) Assemble Board Assembly "D" to the Cart Tower Supports using (8) Phillips Pancake Head Self Drilling Screws. For driving screws, use #2 Square Drive Power Bit, 619295 provided (**Do Not** attempt using Phillips Drive).



Step 8: Attaching Board Assemblies.

A.) Attach Anchor Board "C" and Anchor Board "D" together using (1) M8 x 1.25 x 16mm Lg. HHCS and (1) M8 x 1.25 Hex Lock Nut, see Step 5.

Step 9: Bolt Tray and Long Tool Board Hangers (Tool Board "A").

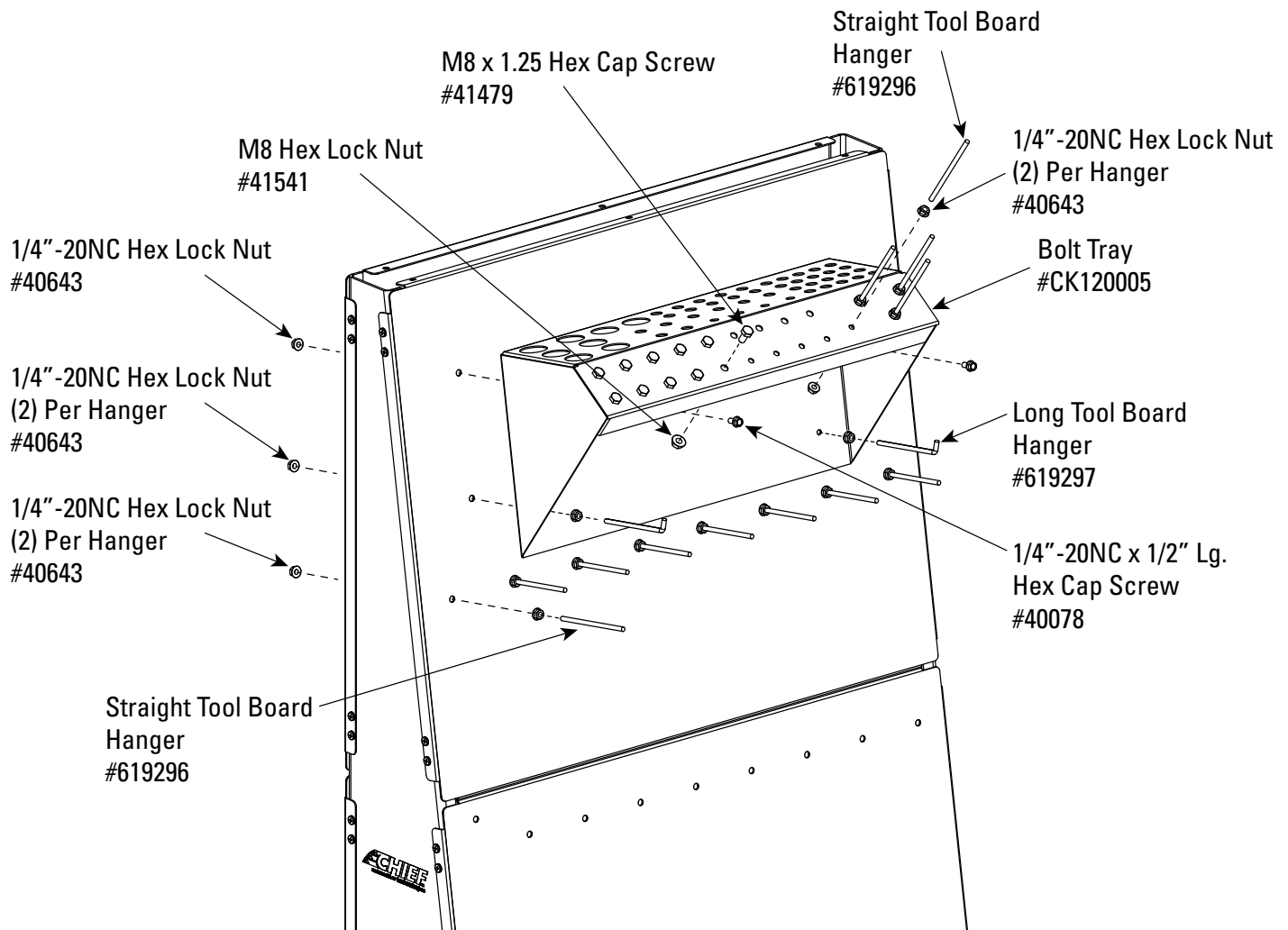
A.) Attach the Bolt Tray using (2) 1/4"-20NC Hex Cap Screws, (2) 1/4"-20NC Hex Lock Nuts, (2) Long Tool Board Hangers, and (4) 1/4"-20NC Hex Lock Nuts.

Step 10: Tool Board Hangers (Tool Board "A").

A.) Assemble (4) Straight Tool Board Hangers to the Bolt Tray using (8) 1/4"-20NC Hex Lock Nuts.

B.) Assemble the remaining Straight Tool Board Hangers to Tool Board "A" using 1/4"-20NC Hex Lock Nuts.

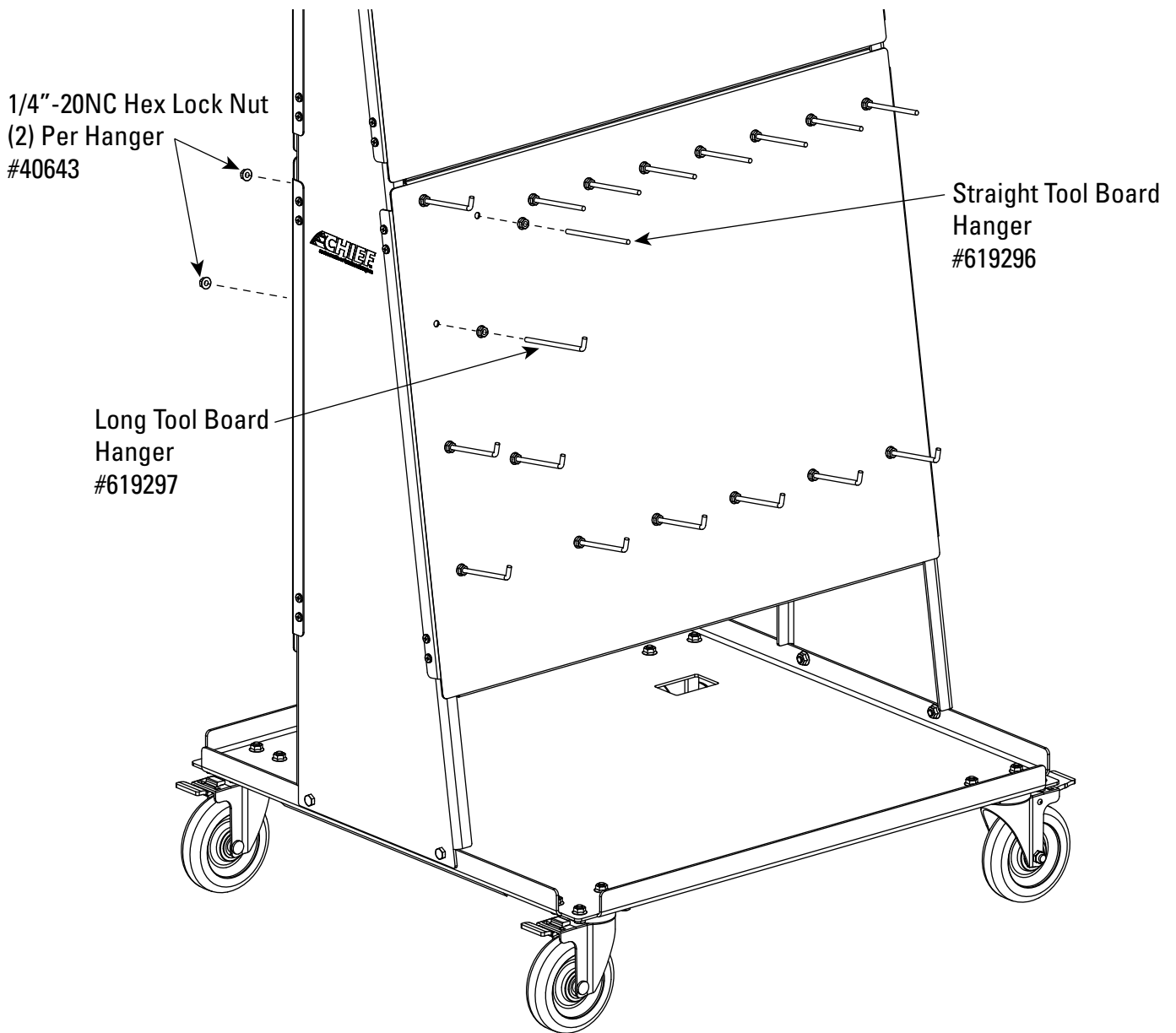
C.) Assemble the (10) M8 x 1.25 Hex Cap Screws to the Bolt Tray using (10) M8 Hex Lock Nuts.



Step 11: Tool Board Hangers (Tool Board "B").

A.) Assemble Straight Tool Board Hangers to Tool Board "B" using 1/4"-20NC Hex Lock Nuts.

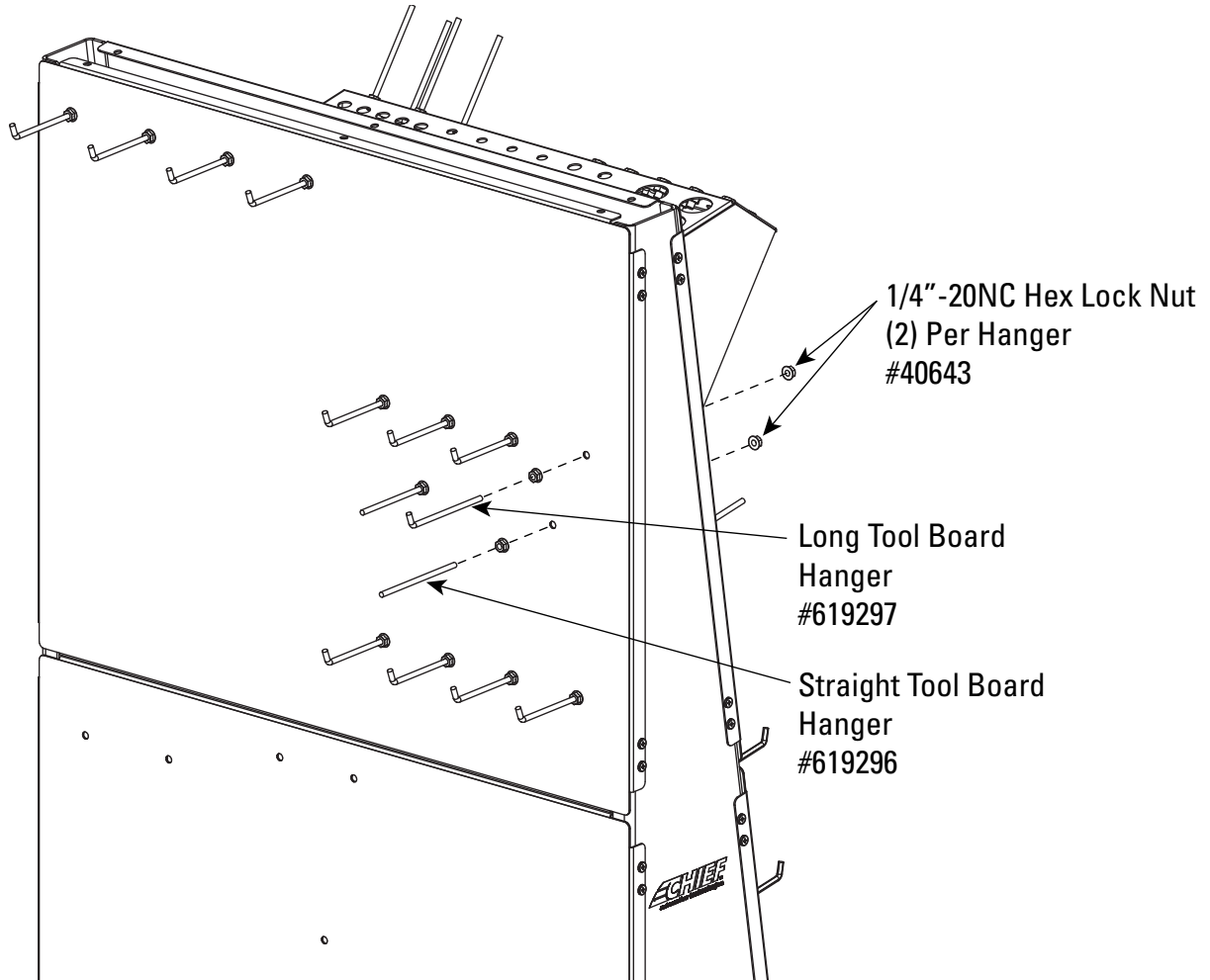
B.) Assemble the remaining Long Tool Board Hangers to Tool Board "B" using 1/4"-20NC Hex Lock Nuts.



Step 12: Tool Board Hangers (Tool Board "C").

A.) Assemble (2) Straight Tool Board Hangers to Tool Board "C" using (4) 1/4"-20NC Hex Lock Nuts.

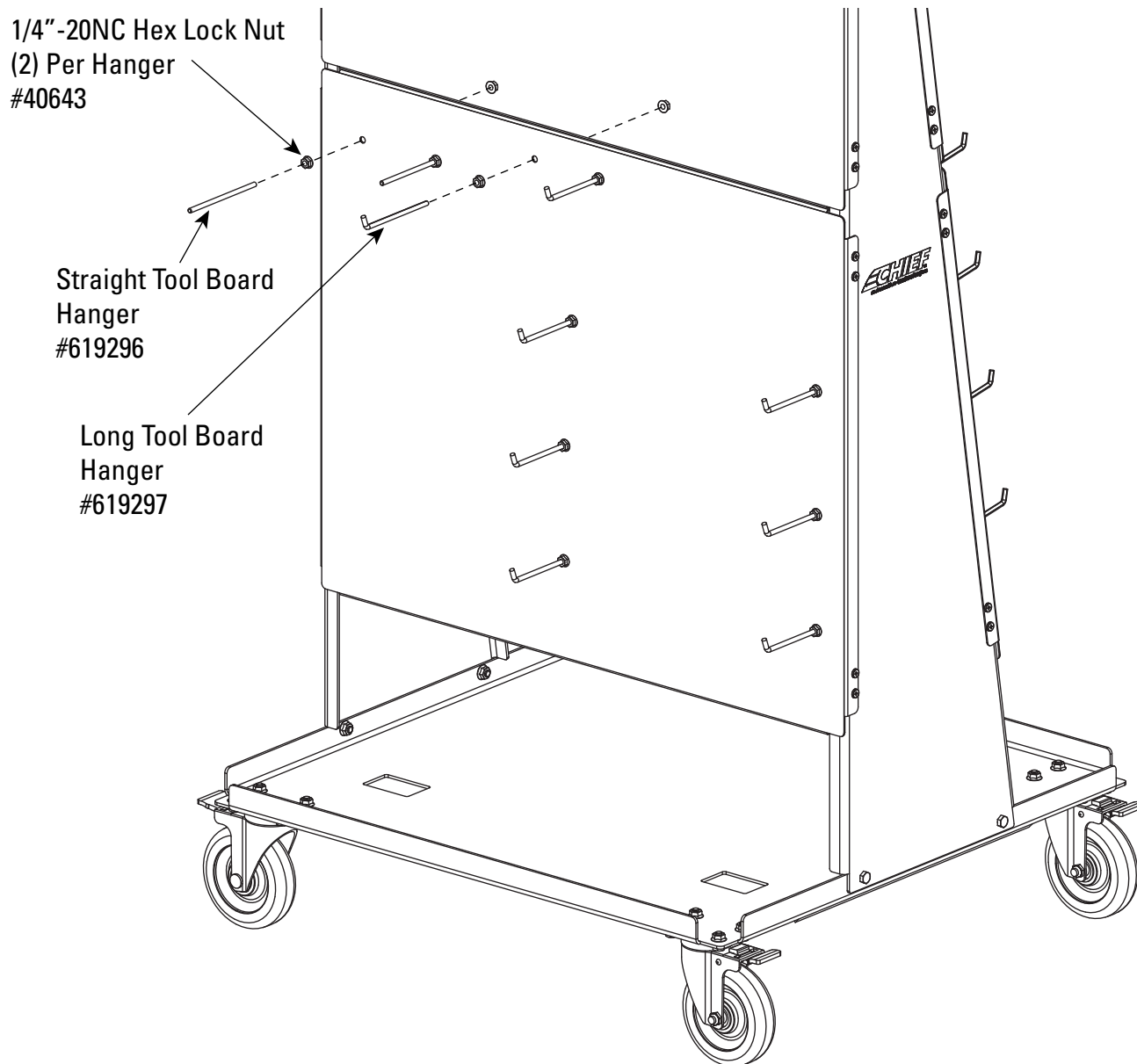
B.) Assemble the remaining Long Tool Board Hangers to Tool Board "C" using 1/4"-20NC Hex Lock Nuts.



Step 13: Bolt Tray Hangers (Tool Board "D").

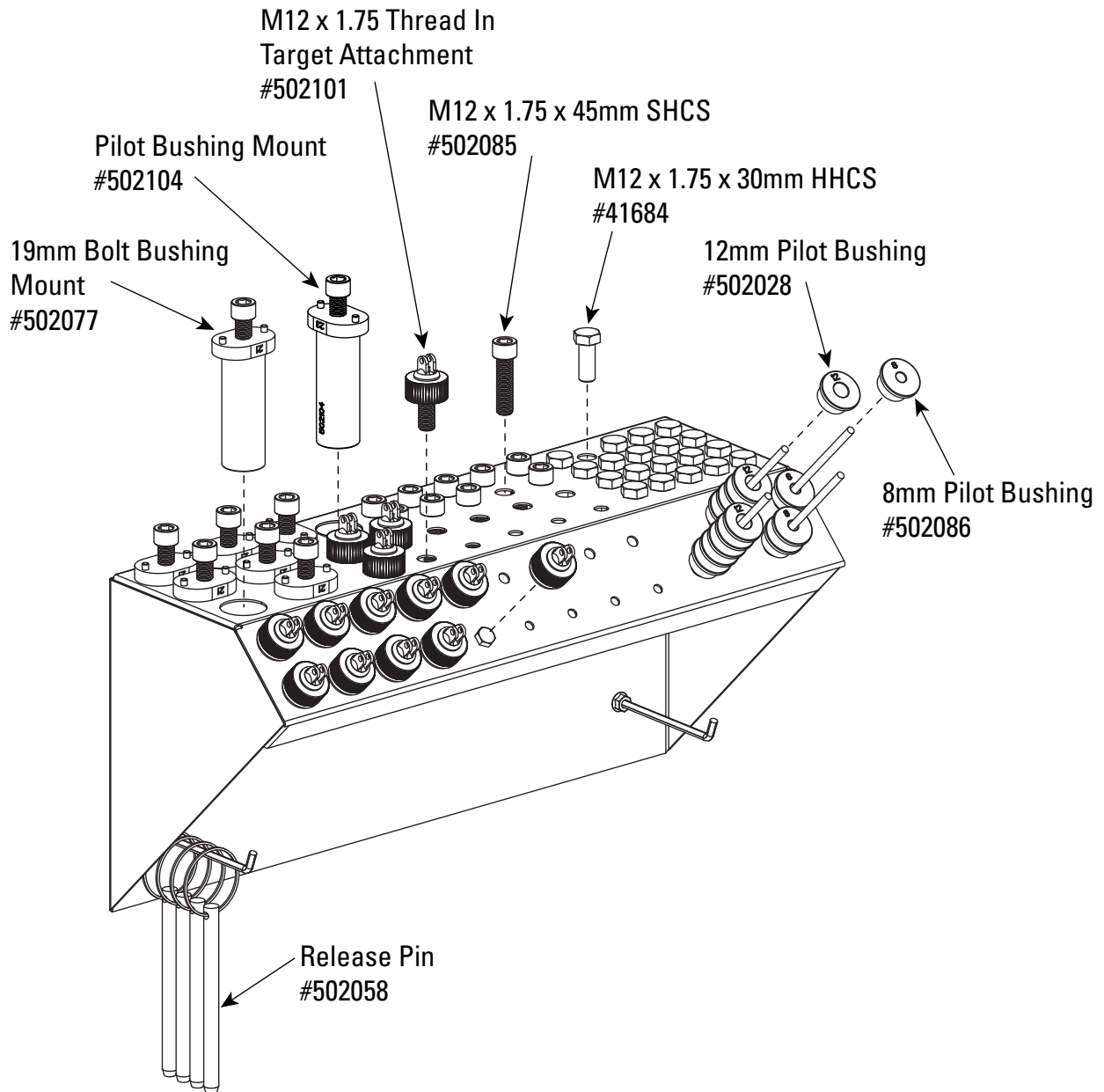
A.) Assemble (2) Straight Tool Board Hangers to Tool Board "D" using (4) 1/4"-20NC Hex Lock Nuts.

B.) Assemble the remaining Long Tool Board Hangers to Tool Board "D" using 1/4"-20NC Hex Lock Nuts.



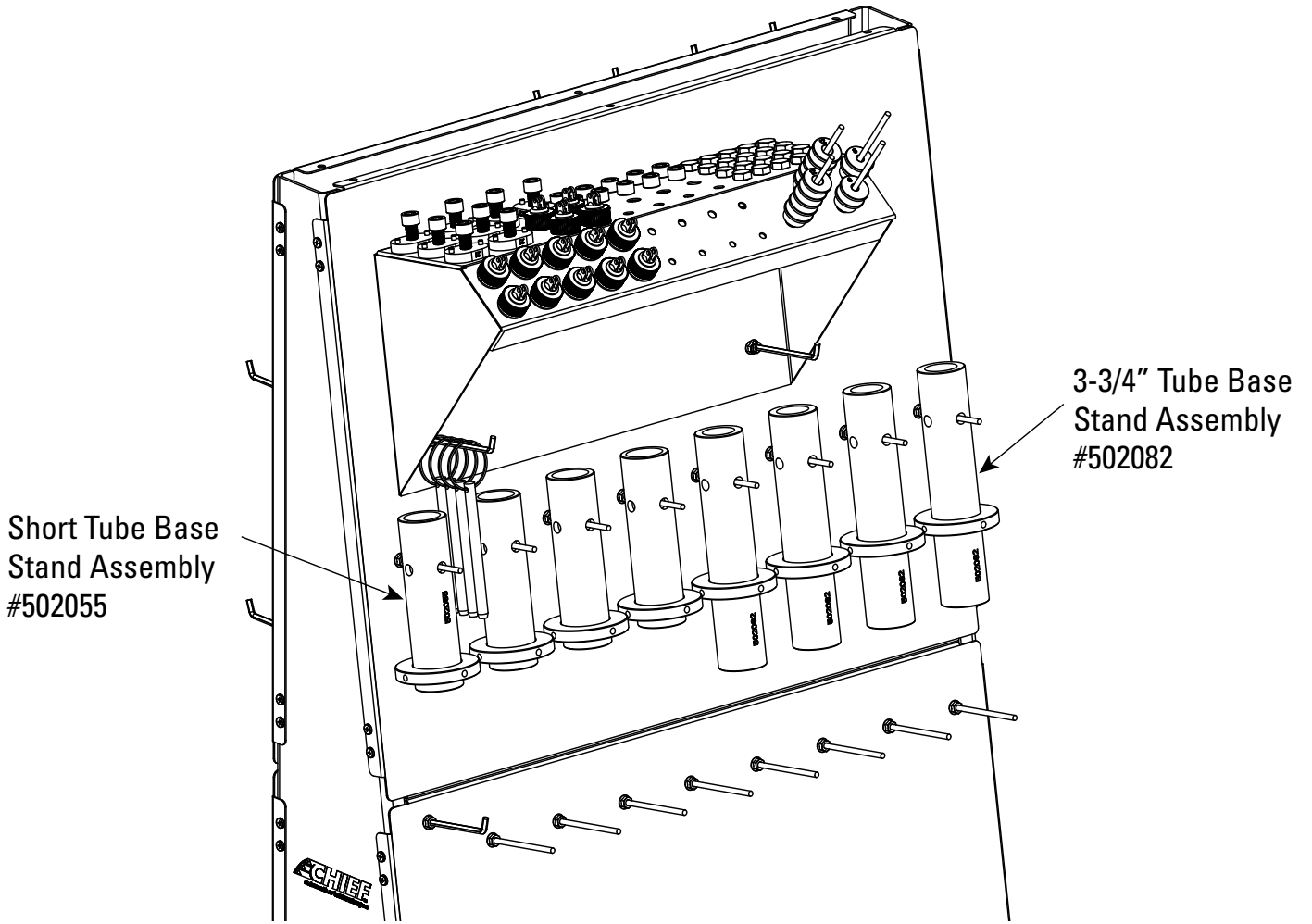
Step 14: Tool Tray (Tool Board "A").

A.) Assemble Hardware to Tool Tray and Tool Board Hangers.



Step 15: Tool Board "A".

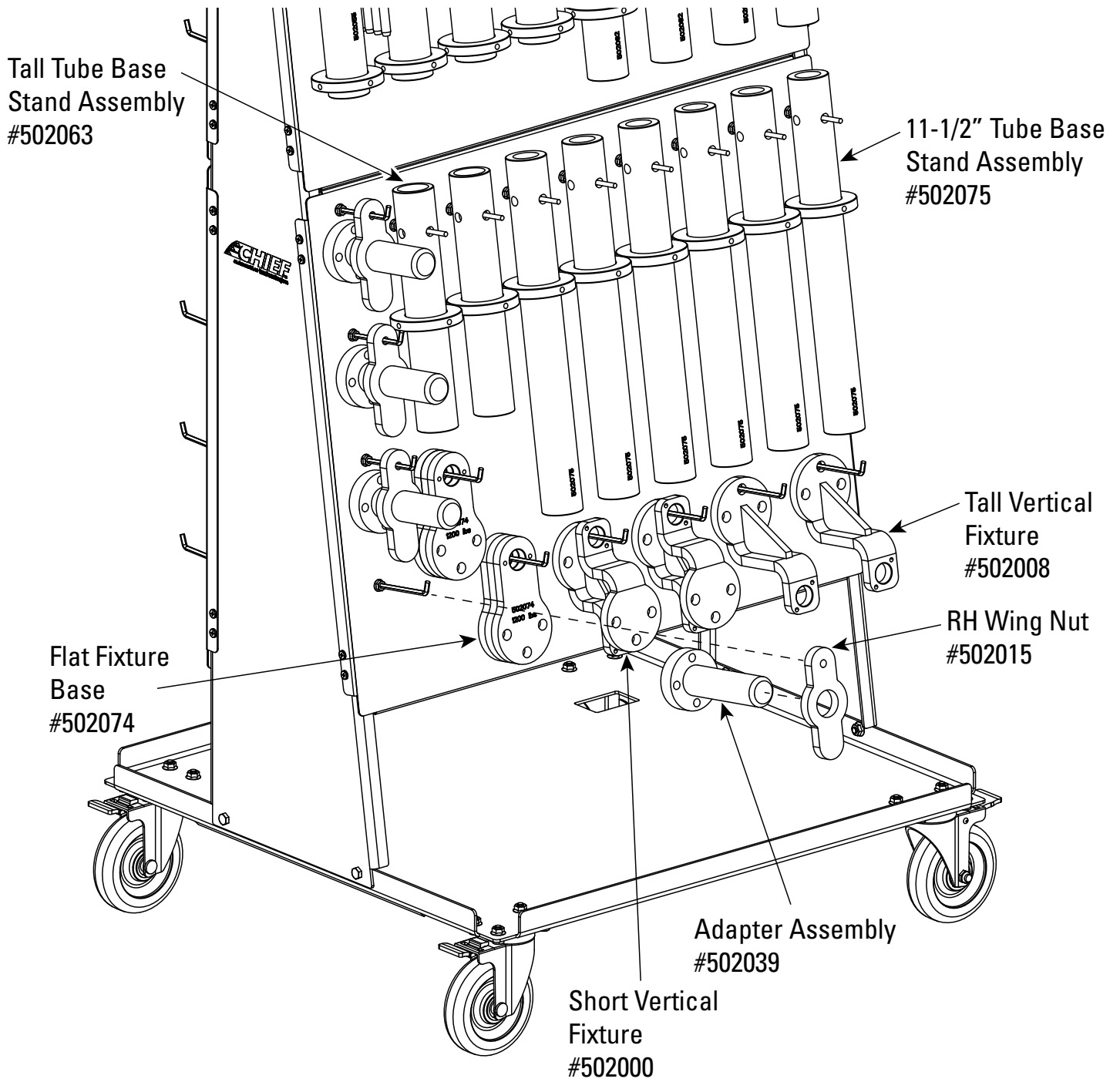
A.) Assemble Tools to Straight Tool Board Hangers.



Step 16: Tool Board "B".

A.) Assemble Tools to Long Tool Board Hangers.

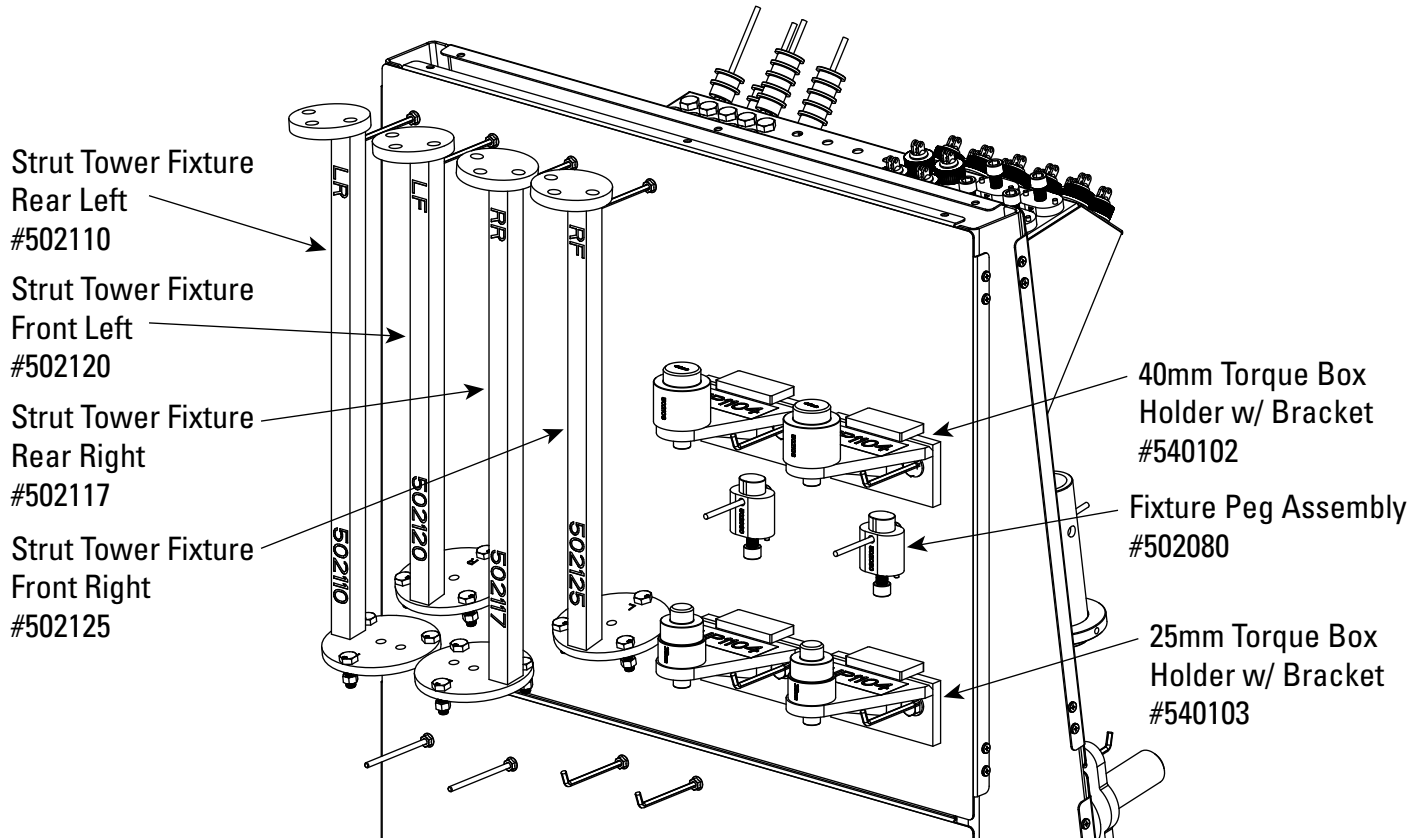
B.) Assemble Tools to Straight Tool Board Hangers.



Step 17: Tool Board "C".

A.) Assemble Tools to Long Tool Board Hangers.

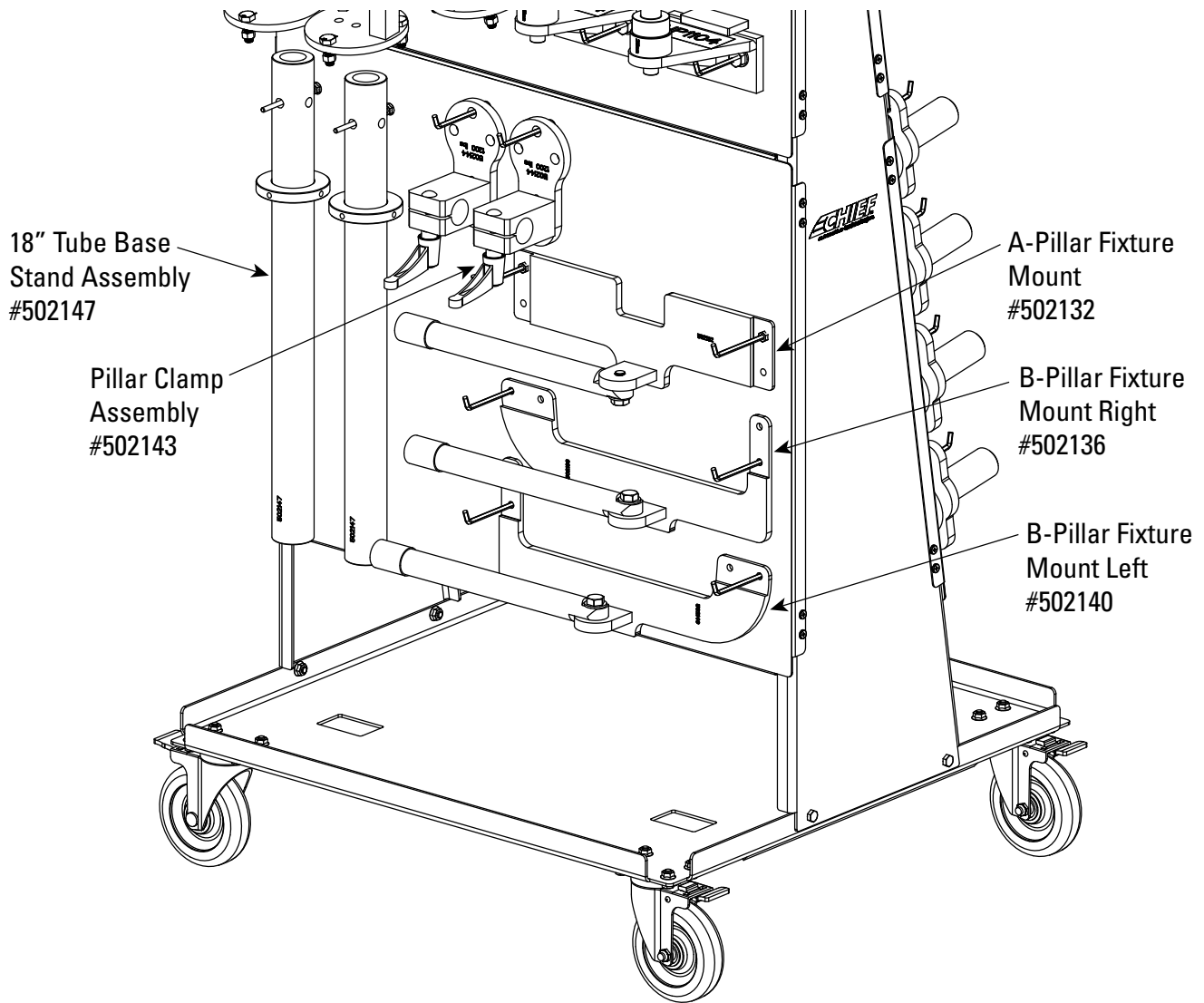
B.) Assemble Tools to Straight Tool Board Hangers.



Step 18: Tool Board "D".

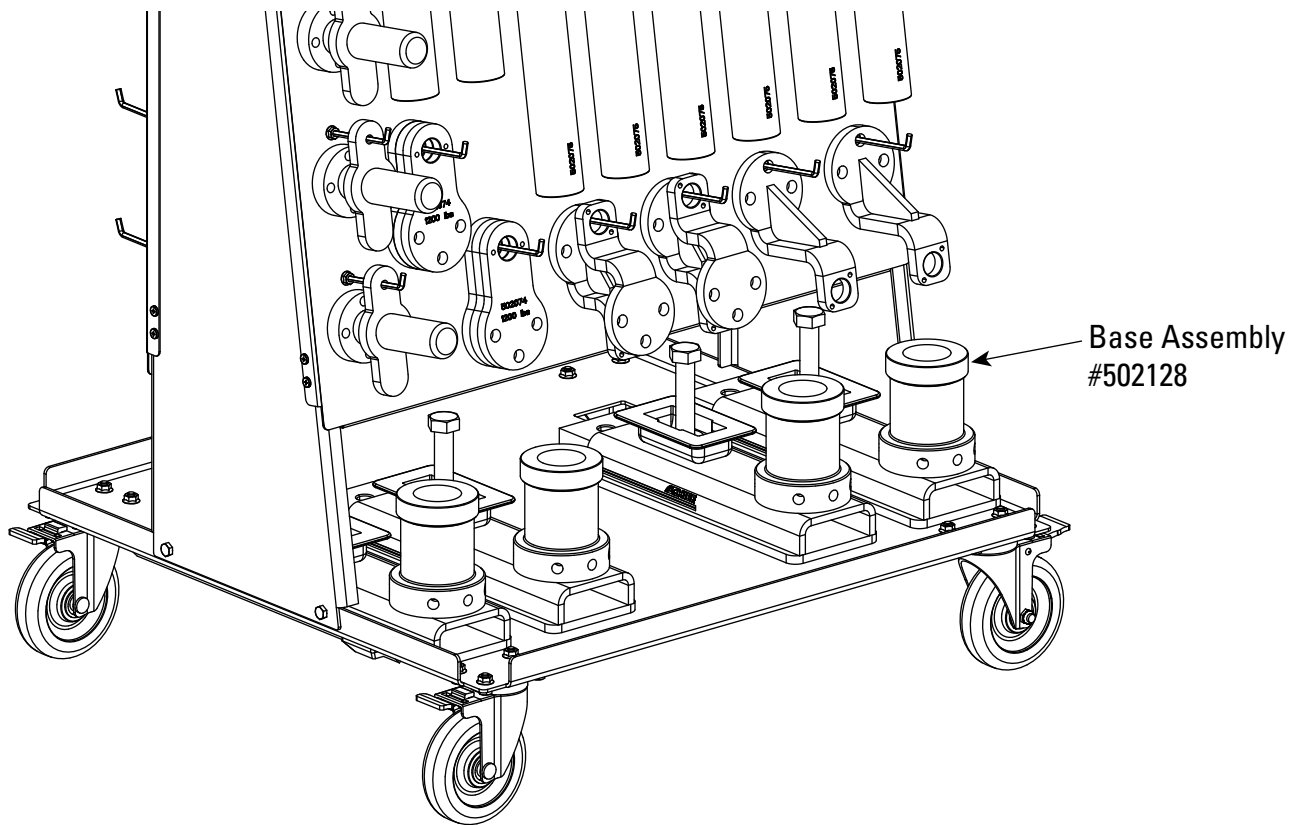
A.) Assemble Tools to Long Tool Board Hangers.

B.) Assemble Tools to Straight Tool Board Hangers.
Hangers.



Step 19: Tool Board Bottom Tray.

A.) Assemble Tools to Bottom Tray.





966 Industrial Dr.
Madison, IN 47250
Phone: 800.445.9262
Fax: 866.275.0173

www.chiefautomotive.com

Chief reserves the right to alter product specifications and/or package components without notice.