

Date: 040613

Sign. LJE

Scale: 1:50

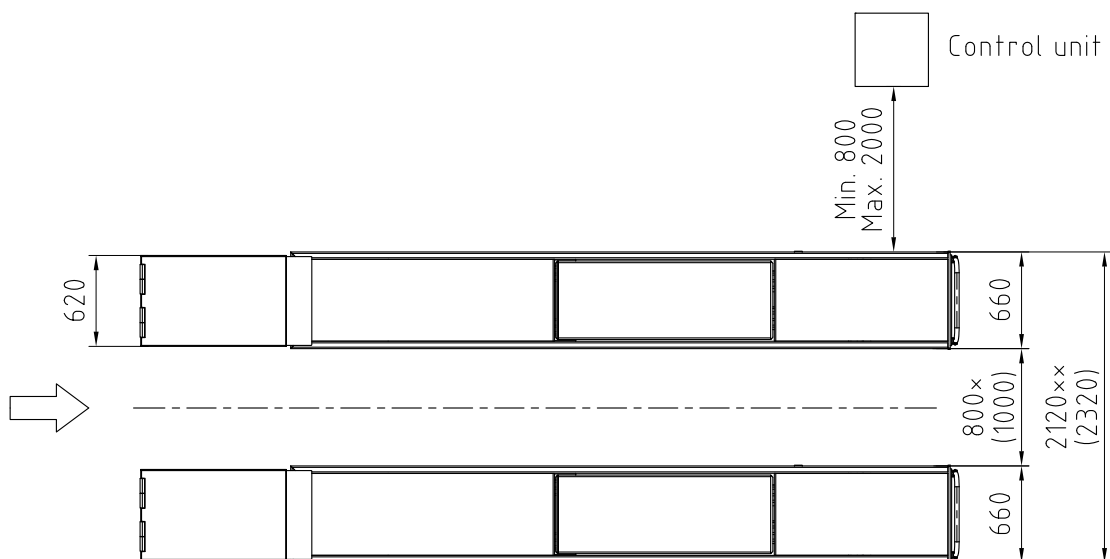
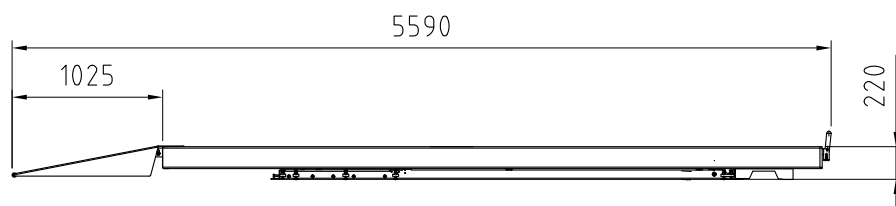
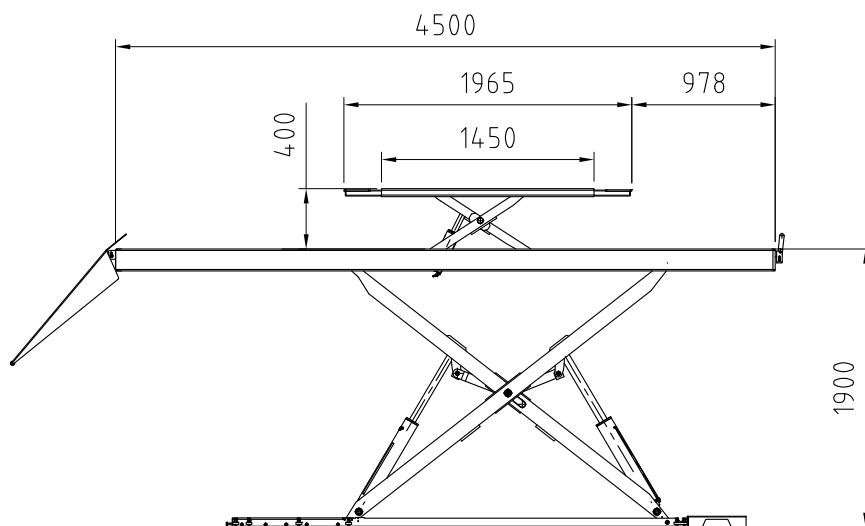
No. T11553

UPLIFTING COMPANY

AUTOP STENHOJ

Dimension sketch
MagiX 45 S Combi -45

Rev. date: 220813



- ×) Recommended distance (with scissor jack = 875mm)
- ××) Recommended distance (with scissor jack = 2195mm)