

impulse-Tilt

PARTS MANUAL



CHIEF'S LIMITED ONE-YEAR
WARRANTY & LIABILITY

Chief Automotive Technologies warrants for one year from the date of installation and/or purchase any of its products which do not perform satisfactorily due to defect caused by faulty material or workmanship. Chief's obligation under this warranty is limited to the repair or replacement of products which are defective and which have not been misused, carelessly handled, or defaced by repairs made or attempted by others.

CHIEF AUTOMOTIVE TECHNOLOGIES DOES NOT ASSUME RESPONSIBILITY FOR ANY DEATH, INJURY OR PROPERTY DAMAGE RESULTING FROM THE OPERATOR'S NEGLIGENCE OR MISUSE OF THIS PRODUCT OR ITS ATTACHMENTS. CHIEF MAKES NO WRITTEN, EXPRESS OR IMPLIED WARRANTY WHATSOEVER OF MERCHANTABILITY OR FITNESS FOR A PARTICULAR PURPOSE OR OTHERWISE REGARDING THE EQUIPMENT OR ANY PART OF THE PRODUCT OTHER THAN THE LIMITED ONE-YEAR WARRANTY STATED ABOVE.

Parts Information

To order replacement parts for the Chief *impulse-Tilt* System, contact an authorized representative of Chief Automotive Technologies, 1-800-445-9262.

When contacting Chief Automotive Technologies by telephone or mail, provide the following information: name, name of business, business telephone number, and business address. Additional information needed when ordering: description of parts and part numbers, machine model number and machine serial number.

NOTE: Chief reserves the right to alter parts specifications and/or package components without notice.

CAUTION: Always use Chief Automotive Technologies authorized replacement parts with *impulse-Tilt* Systems. When replacing any part, make certain the part meets the original equipment requirements.

Hydraulic Hoses

The 3/8" I.D., two wire hydraulic hoses furnished with this product meet the requirements of SAE 100R2AT. They should not be used with any other system having higher than 10,000 psi output. All hydraulic components must be replaced with Chief Automotive Technologies authorized replacement parts.

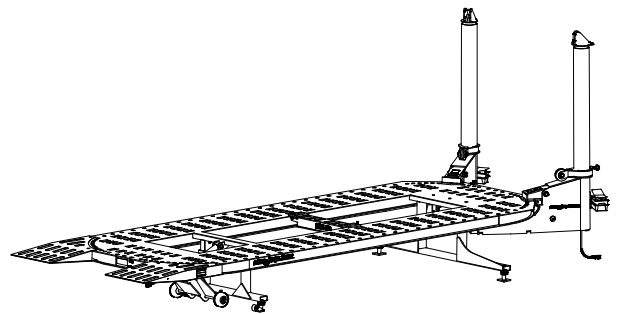
Pneumatic Hoses

The pneumatic components with this product meet the specified requirements and have a working pressure at or above 150 psi. They should not be used with any other system having a higher psi output. All pneumatic components must be replaced with Chief Automotive Technologies authorized parts.

Bolts and Fasteners

All bolts and fasteners must be replaced with Chief Automotive Technologies authorized replacement parts and must not be less than Grade 5 (Class 8.8). Any bolt used in a pulling clamp that is frequently tightened must be a Grade 8 (Class 10.9). All bolt lengths and diameters must be equal to those installed at the factory.

Chief *impulse-Tilt*



Chain

The tower 1/2 inch chains furnished with this product are a special alloy frame straightening chain designed exclusively for Chief Automotive Technologies to meet the rigid requirements of the collision repair industry. If replacement is required, purchase only the original Chief product from an authorized Chief Automotive Technologies representative.

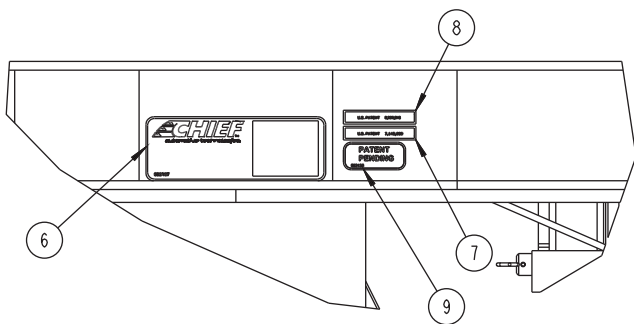
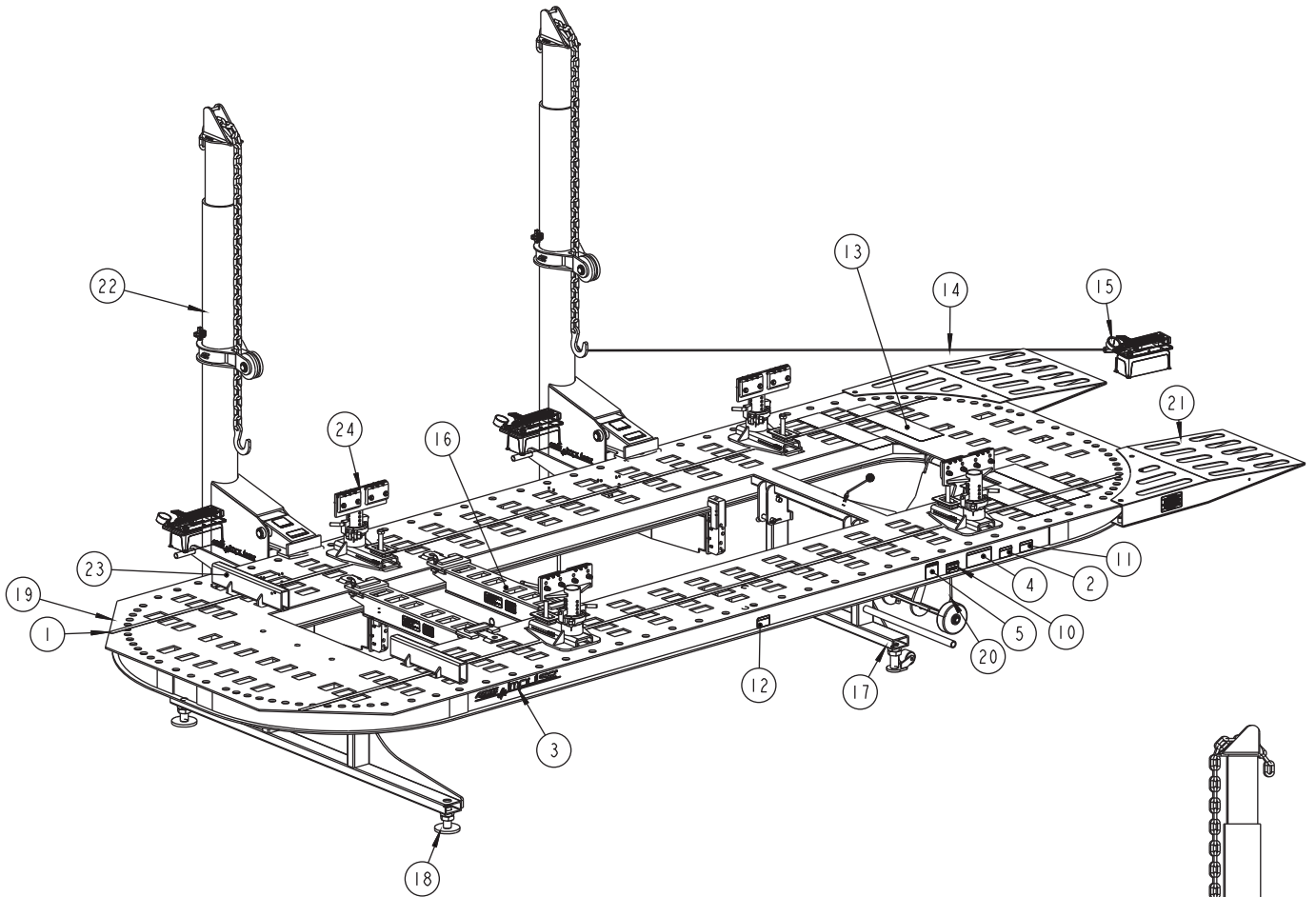
The auxiliary 3/8 inch chains available for this product are a special alloy frame straightening chain designed exclusively for Chief Automotive Technologies to meet the rigid requirements of the collision repair industry. If replacement is required, purchase only the original Chief product from an authorized Chief Automotive Technologies representative.

CAUTION: DO NOT use 3/8 inch chain on any towers.

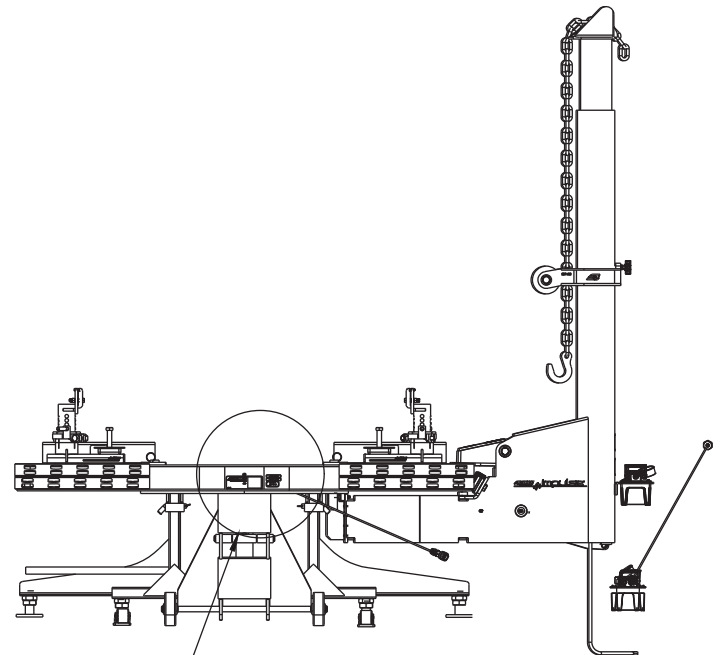
Labels

Replacement SAFETY and WARNING labels are available in several languages and may be ordered by contacting an authorized Chief Automotive Technologies representative.

impulse-Tilt Deck Assembly



Detail A
Scale 1:5



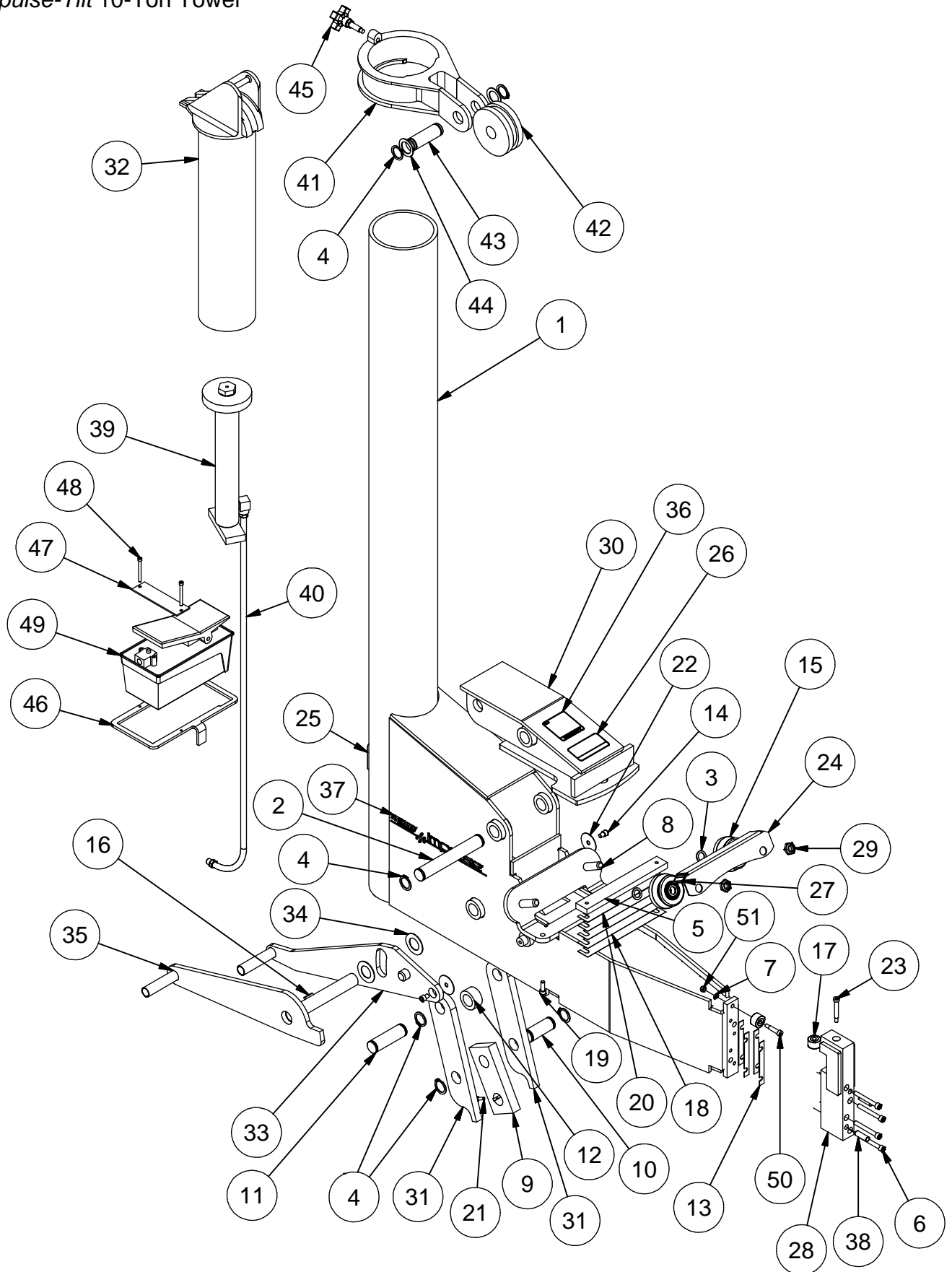
See Detail A

450010Y Impulse 18' Series 20 w/10-Ton Towers

impulse-Tilt Deck Assembly

Parts List		
ITEM	P/N	DESCRIPTION
1	305084	Tape, Black Striping
2	305093	Label,Caution Exceleation Wheel Stops
3	450045	Decal, Mainframe, Impulse
4	692090	Label,Caution Operation
5	692096	Label,Caution Tower Position
6	692107	Decal, Serial Number
7	692128	Decal, U.S. Patent 7143628
8	692129	Decal, Patent Number
9	692135	Decal, Patent Pending
10	692143	Label,Caution Lift Of Persons Prohibited
11	692154	Label,Caution Protect Foot
12	693339	Label,Caution -Engress/Ingress
13	693433	Anti-Skid Tape
14	349014G	Hydraulic Hose Assembly
15	409005Y	Hydraulic Pressure Gauge Assembly
16	450003Y 450530	Impulse Moveable Crossmember Narrow Impulse Moveable Crossmember Wide
17	450005Y	Retract Leg Assembly
18	450027Y	Front Leg Adjustment Screw Assy
19	450030Y 450503	Bed,Welded Assembly,18' Bed,Welded Assembly,20'
20	450139YG	Lift Leg Assy,Complete
21	450350Y	Ramp Complete, Long, (Single)
22	450470G	Assembly, 360-10 Ton Tower
23	648880Y	Wheel Chock Assembly
24	CK110021Y	Serrated Anchor Stand (Single)
25	FC5973-3	Air Footpump

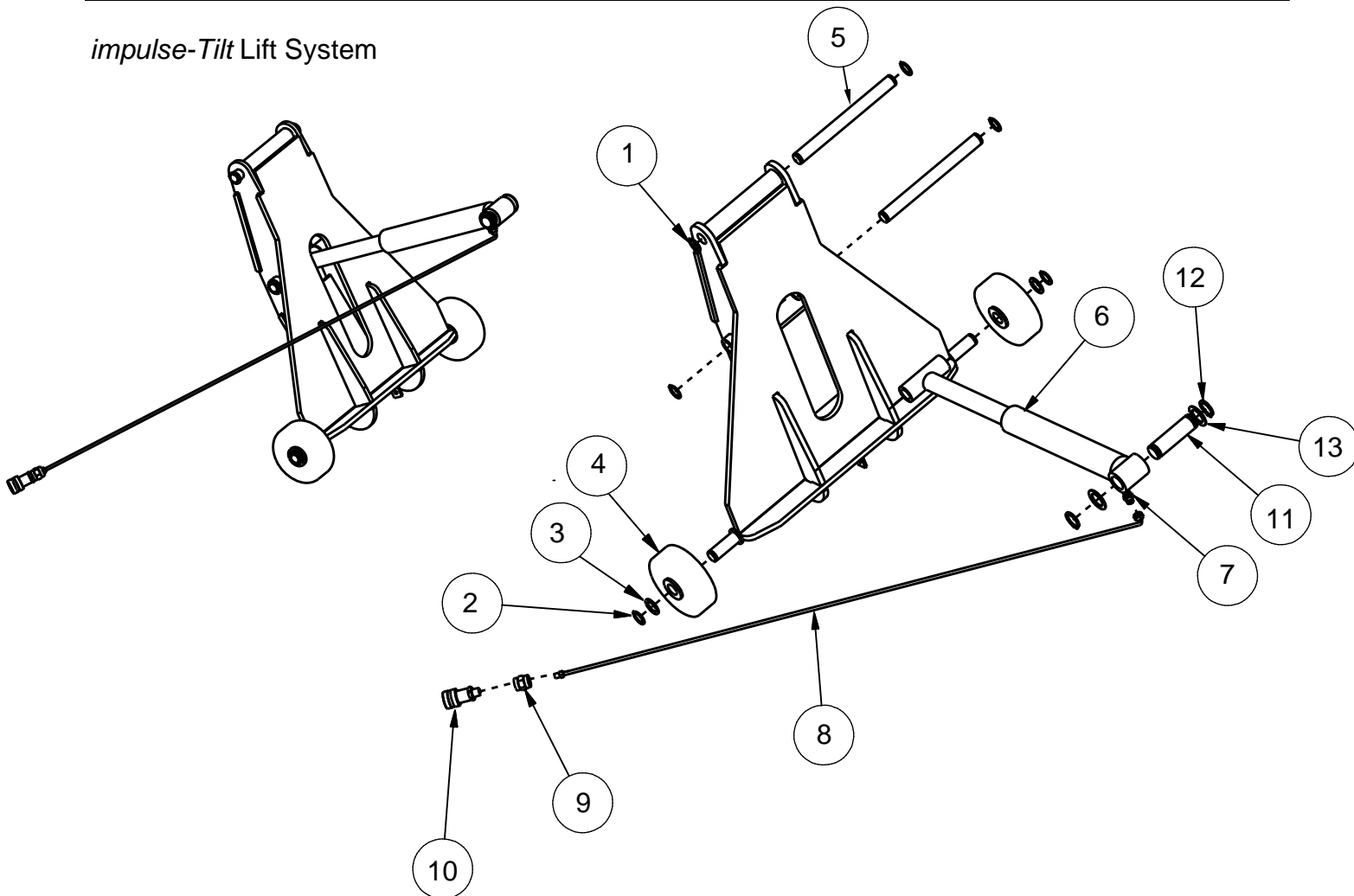
impulse-Tilt 10-Ton Tower



impulse-Tilt 10-Ton Tower

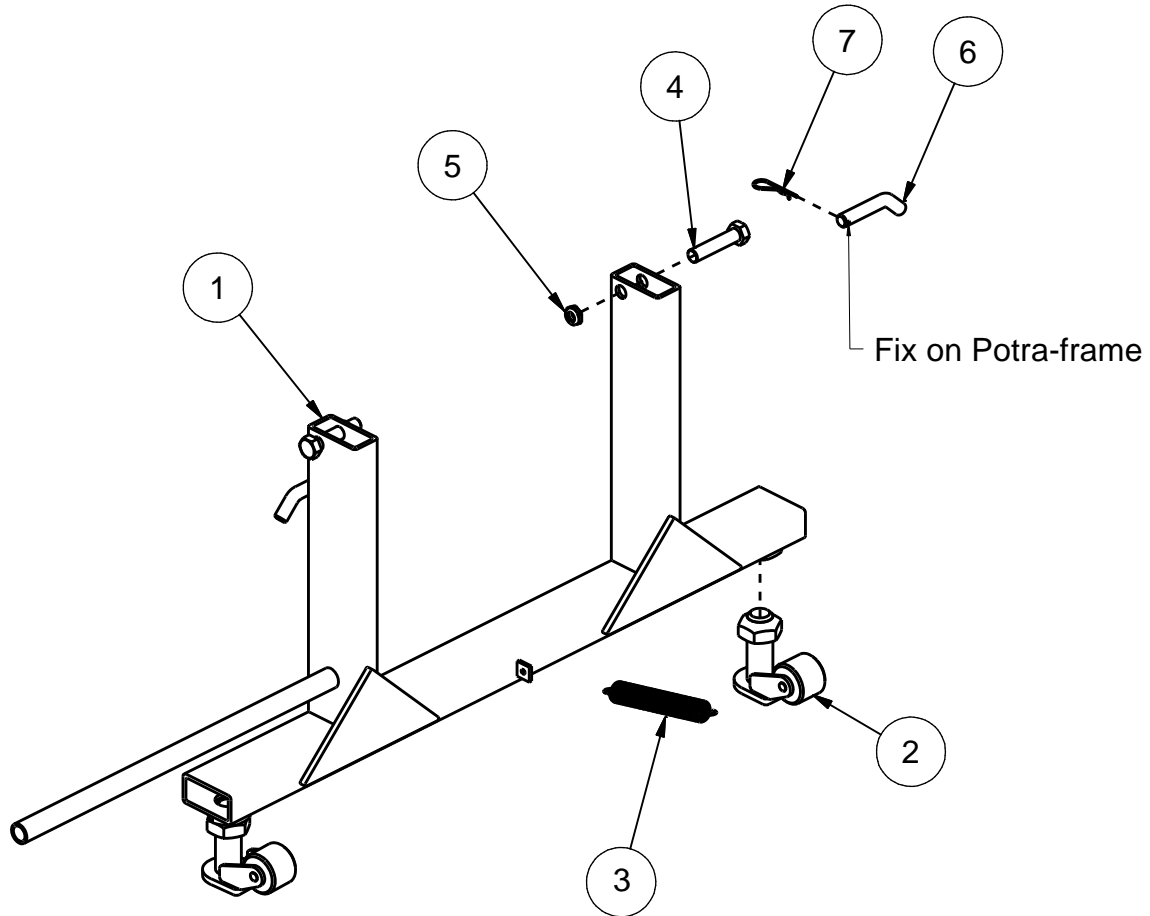
Parts List		
ITEM	P/N	DESCRIPTION
1	450475Y	Weldment, Short 360-10 Ton Tower
2	687102Y	Pin, 360-10 Ton Tower Linkage Long
3	305063Y	Washer, 3/4"ID x 1 1/8 OD x .093" Thick Shim
4	693468	Snap Ring, HD for 1 1/4" shaft
5	687101Y	Spacer, 360-10 Ton Tower Outrigger
6	450236	SCREW, 3/8-16NC X 3" SHCS
7	450284Y	WASHER, FLAT 5/16" TRIMMED
8	629773	Bolt, 3/4-10 NC x 2 3/4" Long
9	450279Y	Bar, Tower Linkage Driver
10	687104Y	Pin, 360-10 Ton Tower Linkage Short
11	687103Y	Pin, 360-10 Ton Tower Linkage Medium
12	450234Y	Spacer, Tower Force Clamp
13	450281Y	Shim, 360 Tower - 16 ga.
14	450243	Screw, 3/8-16 Socket Head Cap
15	450235Y	Assembly, Tower Outside Wheel
16	450244Y	Key, 1/4 x 1/4 x 1"
17	450146	Roller, Inside Tower
18	687107Y	Shim, 360-10 Ton Tower Outrigger .0164"
19	450195	Screw, 3/8-16NC x 1.00" Socket Head Cap
20	687106Y	Shim, 360-10 Ton Tower Outrigger .0598"
21	450195	Screw, 3/8-16NC x 1.00" Socket Head Cap
22	450241Y	Washer, 2" OD x 13/32" ID x .047" Thick
23	450227	Bolt, 3/8" x 2" Shoulder - 5/16-18 Thread
24	638321Y	Guard, Fuzion Tower, Outside Roller
25	693337	Label, Warning, Do Not Position Yourself
26	692091	Label, Warning, Force Clamp, Impulse
27	692093	Label, Caution, Pinch-Point, Impulse
28	450014Y	HOOK, 360 TOWER
29	770016	NUT, 3/4-10NC LOCK JAM GR5 PL
30	687125Y	Weldment, 360-10 Ton Sure Lock
31	687105Y	Bar, 360-10 Ton Tower Float Linkage
32	610001Y	Tower Head, 1/2" Chain 10-Ton
33	687137Y	Weldment, 360-10 Ton Sure Lock Release
34	305030	Washer, Thrust-1.25"IDx2.25"ODx.0625"
35	687143Y	Weldment, Wide Sure Lock Shaft
36	692096	LABEL, CAUTION CROSSMEMBER POSITION
37	450245	DECAL, IMPULSE TOWER
38	450259Y	Dowel Pin, .5001 - .5003 Dia. x 1.5"
39	450472Y	Assembly, 10-ton Tower Ram
40	EZ-9801-1	Hose, 78.7" x 7/16-20 UNF
41	607161	Machined Collar, S21
42	601201Y	Roller, 5" x 1/2" Chain - S21/POSI TRAK Collar
43	680747Y	Pin, Grooved for Cast Collar
44	707487Y	Washer, Flat - 1.25"IDx1.875"ODx14GA-plated
45	602829Y	Assembly, Tower Collar Locking Knob
46	450263Y	Ring, Foot Pump Storage
47	450264	Strap, Foot Pump Storage
48	011063	Screw, 1/4-20 X 2.75 Socket Head Cap
49	FC5973-2	Pump Hyd. Footpump
50	450283	Bolt, 3/8"x1.25" SHOULDER,5/16-18THD
51	450282	LOCK NUT,5/16-18THD NYLON LOCK INSERT

impulse-Tilt Lift System



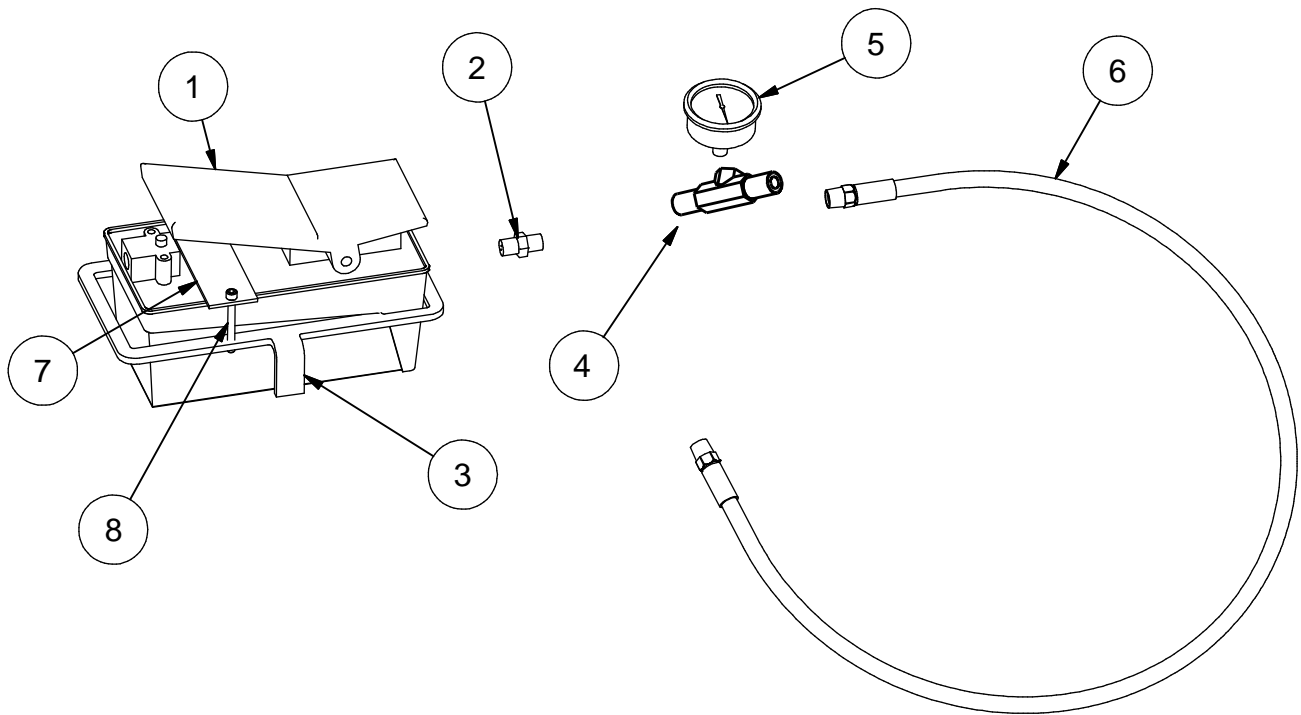
Parts List		
ITEM	P/N	DESCRIPTION
1	450138YG	LIFT ASSEMBLY, WELDED
2	770105	HD Retaining Ring
3	707479Y	WASHER WROUGHT 1" ZP
4	092094Y	Wheel, 6", Posi Trak Lift
5	450127YG	Pin, Grooved, 1" Dia. x 11.38" Lg
6	602378-9100	Ram, (10" Stroke), 10 Ton
7	IM-9802-1	FITTING ORIFICE
8	685100Y	HOSE
9	090247	3/8 NPT Couplings
10	604939	QUICK COUPLER,FEMALE,WITH FEMALE THR
11	770083Y	Pin, 17 foot Cylinder Retainer
12	693468	Snap Ring, HD for 1 1/4" shaft
13	707487Y	Washer, Flat - 1.25"IDx1.875"ODx14GA-plated

impulse-Tilt Retractable Leg Assembly



Parts List		
ITEM	P/N	DESCRIPTION
1	450006Y	RETRACT LEG, WELDED ASSEMBLY
2	610677Y	Stiff Leg Adjustment
3	602570	SPRING, STIFF LEG
4	539013	BOLT, M20*2.5*90MM GR8 ZINC PLATED
5	B331-20	NUT, M20 LOCK JAM GR5 PL
6	771108Y	PIN
7	H4D-5006-3	SPRING PIN

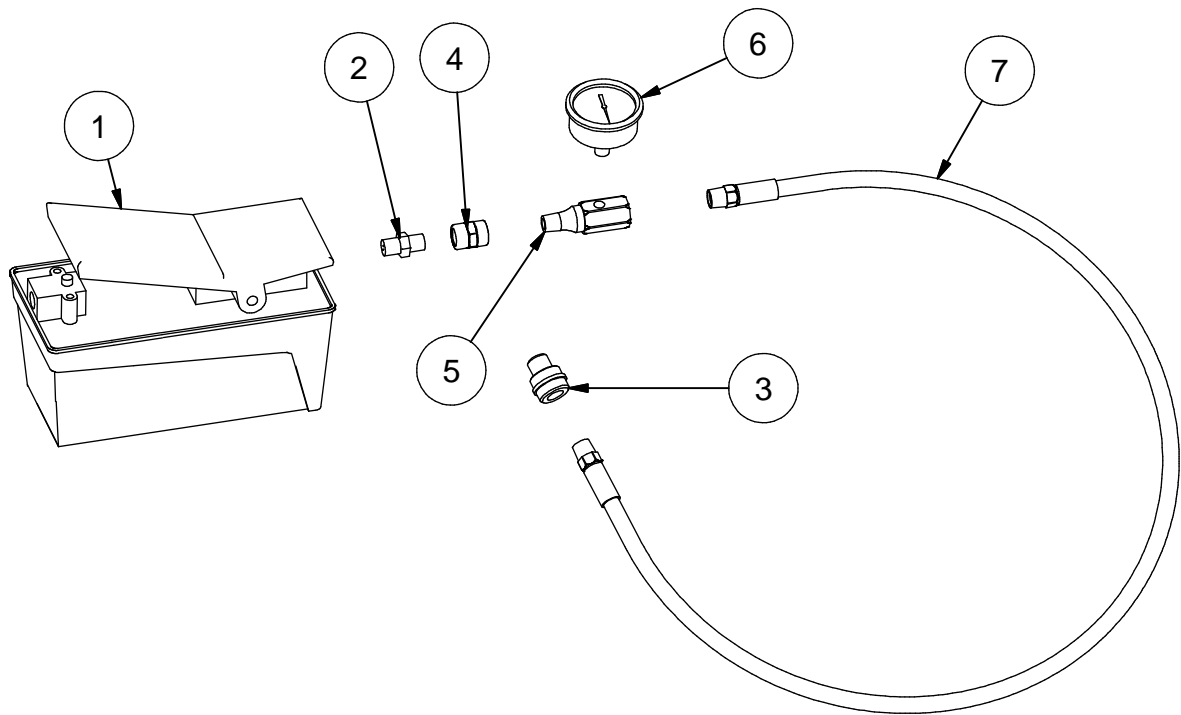
impulse-Tilt Air Over Hydraulic Foot Pump



Tower Pump Details

Parts List		
ITEM	P/N	DESCRIPTION
1	FC5973-2	Pump Hyd. OTC Y13, Metal Res. Footpump
2	RJ7000-9802-1	RESTRICTOR ORIFICE
3	450263Y	Ring, Foot Pump Storage
4	EZ-9802-1	FITTING
5	601030	Pressure Guage
6	EZ-9801-1	HOSE
7	450264Y	Strap, Foot Pump Storage
8	011063	Screw, 1/4-20 X 2.75 Socket Head Cap

impulse-Tilt Air Over Hydraulic Foot Pump



Deck Lift Pump Details

Parts List		
ITEM	P/N	DESCRIPTION
1	FC5973-3	Pump Hyd. Footpump
2	602551Y	RESTRICTOR ORIFICE
3	602407	Quick Coupler, Male End
4	090247	Coupling, 3/8 NPT
5	091804	Hydraulic T Adapter
6	091803	Pressure Guage
7	090023Y	Hose, 120" x 3/8" NPT



996 Industrial Drive
Madison, IN 47250
Phone: 800.445.9262
Fax: 866.275.0173

www.chiefautomotive.com

Chief reserves the right to alter product specifications
and/or package components without notice.