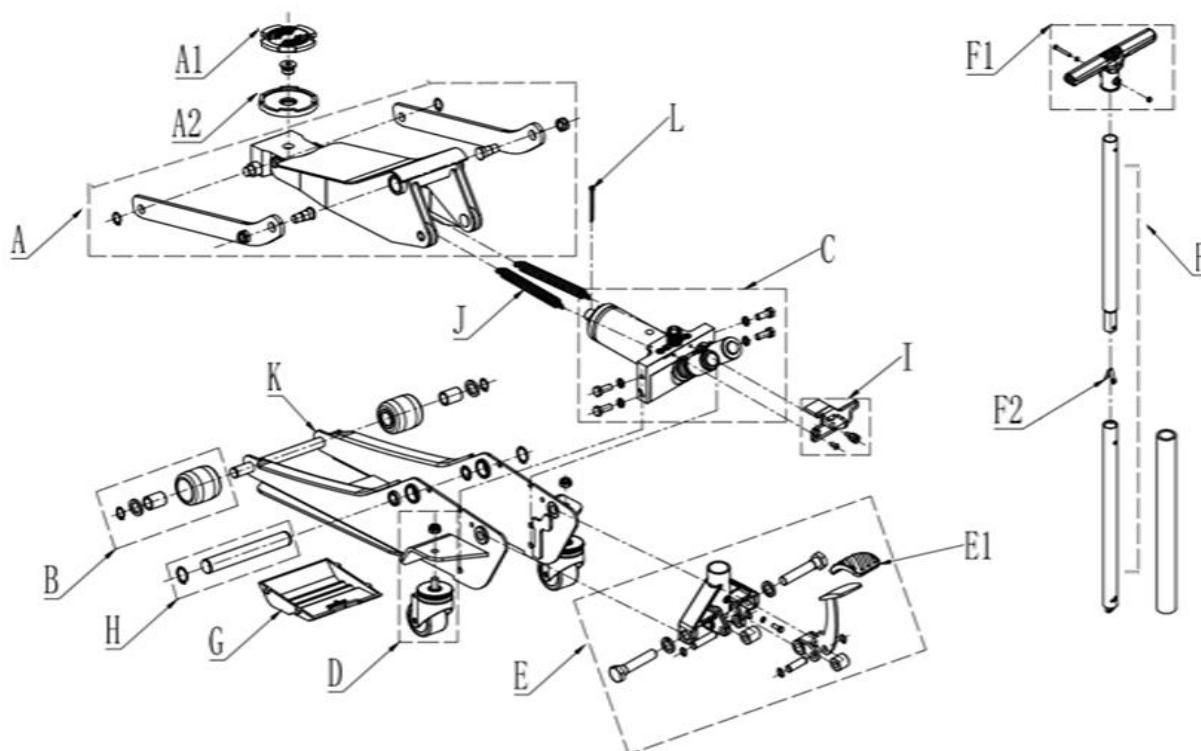


Product code: FG 720/2T



REF.	CODE	DESCRIPTION	Q.TY/EACH TOOL
A1	FG 720/2T-1	Rubber pad	1
A2	FG 720/2T-2	Non-standard screw nut	1
		Saddle	1
A	FG 720/2T-3	Lifting arm assy	1
		Connecting rod	2
		Connecting rod axel	2
		Nylon locking screw nut	2
		Clamp	2
B	FG 720/2T-4	Front wheel	2
		Front wheel sleeve	2
		Spacer	2
		Clamp	2
C	FG 720/2T-5	Oil cylinder	1
		Spring gasket	4
		Outer hexagonal screw	4

REF.	CODE	DESCRIPTION	Q.TY/EACH TOOL
<b>D</b>	FG 720/2T-6	Rear wheel	2
		Nylon locking screw nut	2
<b>E</b>	FG 720/2T-7	Handle socket	1
		Handle socket screw axel	2
		Spring gasket	2
		Foot pedal	1
		Foot rubber pad	1
		Handle socket wheel1	1
		Handle socket bearing1	1
		Handle socket bearing2	1
		Clamp	4
		Inner hexagonal screw	1
		Spring gasket	1
<b>F</b>	FG 720/2T-8	Handle assy	1
<b>F2</b>	FG 720/2T-9	V-spring	1
<b>F1</b>	FG 720/2T-10	T-handle	1
		Inner hexagonal screw	1
		Spring gasket	1
		Outer hexagonal screw nut	1
<b>G</b>	FG 720/2T-11	Spare parts tray	1
<b>H</b>	FG 720/2T-12	Lifting shaft	1
		Clamp	2
<b>I</b>	FG 720/2T-13	Pressure relief plate	1
		Inner hexagonal screw	1
		Pressure relief plate sleeve	1
		Shoulder screw	1
<b>J</b>	FG 720/2T-14	Pullback spring	2
<b>K</b>	FG 720/2T-15	Frame assy	1
<b>L</b>	FG 720/2T-16	Cotter pin	1