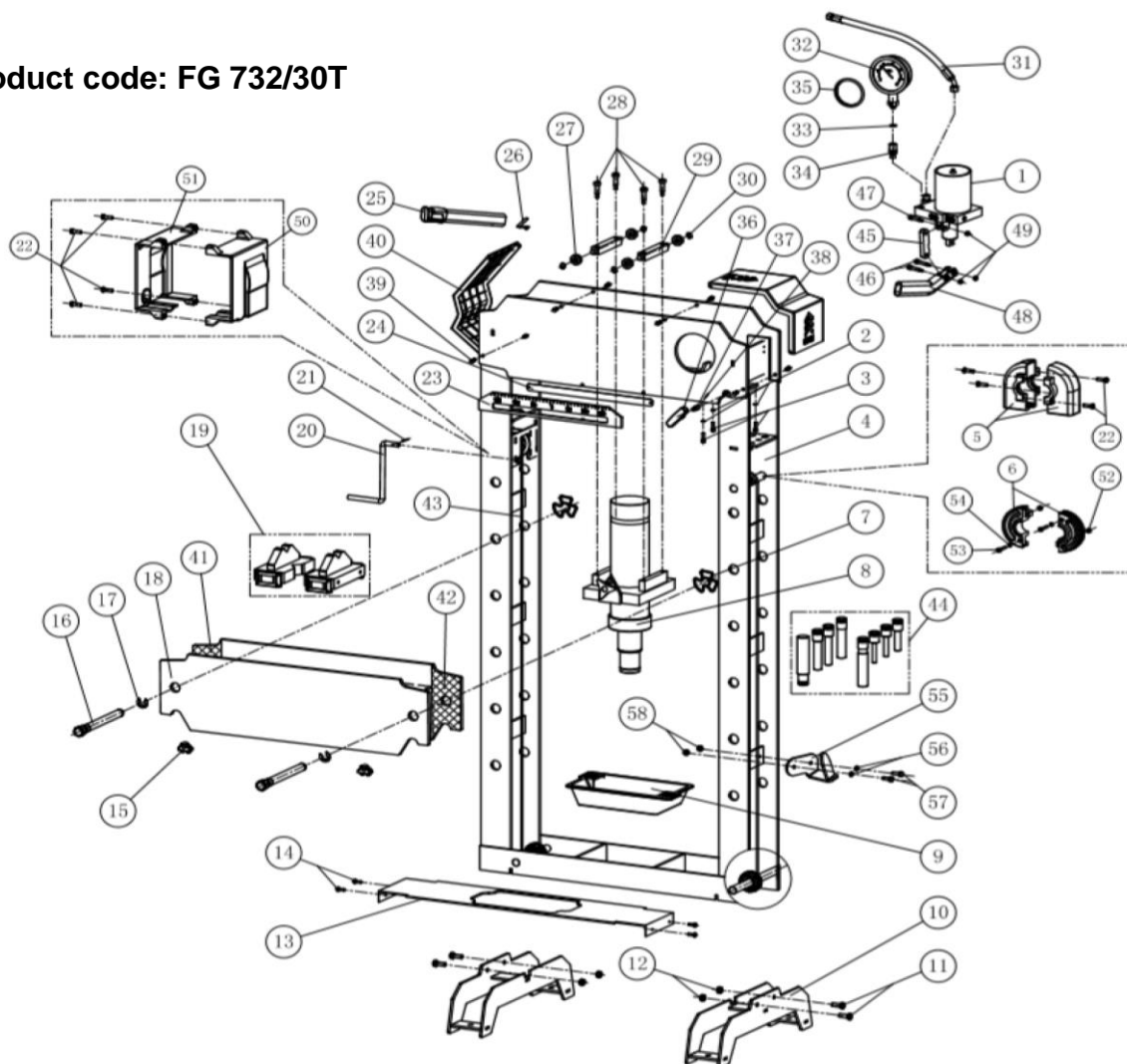


Product code: FG 732/30T



REF.	CODE	DESCRIPTION	Q.TY / TOOL
1	FG 732/20T-1	Oil pump assy	1
2	FG 732/20T-2	Spring washer	3
3	FG 732/20T-3	Inner hexagonal screw	3
4	FG 732/20T-4	Frame assy	1
5	FG 732/20T-5	Pulley protection cover assy	1
6	FG 732/20T-6	Pulley protection cover assy	3
7	FG 732/20T-7	Shift shaft ring	2
8	FG 732/20T-8	Cylinder assy	1
9	FG 732/20T-9	Spare parts tray	1
10	FG 732/20T-10	Foot base assy	2
11	FG 732/20T-11	Set of 4 pcs - Outer hexagonal screw	1
12	FG 732/20T-12	Nylon locking screw nut	4



Fasangas S.r.l. - Via Di Vittorio, 29/31 - 73010 Surbo (Lecce) – ITALIA - Tel.:+39.0832.362097/364265 - Fax: +39.0832.364453
 http: www.fasanotools.com - e-mail: info@fasanotools.com

AZIENDA CERTIFICATA ISO 9001:2015

REF.	CODE	DESCRIPTION	Q.TY / TOOL
13	FG 732/20T-13	Plate protection cover	1
14	FG 732/20T-14	Set of 4 pcs - Outer hexagonal screw	1
15	FG 732/20T-15	Wirerope lock	2
16	FG 732/20T-16-1	Gear shaft	2
	FG 732/20T-16-2	Pin rubber sleeve	2
17	FG 732/20T-17	E-clamp	2
18	FG 732/20T-18	Working bench assy	1
19	FG 732/20T-19	V-Block assy	2
		Block baffle	4
		Rotating shaft for block baffle	4
		Machine screw	4
		Spring pin	4
		Spring pin	4
20	FG 732/20T-20	Winch handle	1
21	FG 732/20T-21	Cylindrical pin	1
22	FG 732/20T-22	Pulley protection cover assy	1
23	FG 732/20T-23	Scale	1
24	FG 732/20T-24	Layering	1
25	FG 732/20T-25	Handle assy-1	1
		Handle plastic sleeve	1
26	FG 732/20T-26	V-spring	1
27	FG 732/20T-27	Bearing	4
28	FG 732/20T-28	Set of 4 pcs - Shoulder screw	1
29	FG 732/20T-29	Cylinder moving shaft	2
30	FG 732/20T-30	Set of 4 pcs - Axle clip spring	1
31	FG 732/20T-31	Oil pipe assy	1
32	FG 732/20T-32	Pressure gauge	1
33	FG 732/20T-33	Locking O-ring	1
34	FG 732/20T-34	Gauge joint connector	1
35	FG 732/20T-35	Gauge protection strip	1
36	FG 732/20T-36	Pressure relief knob(female)	1
37	FG 732/20T-37	Pressure relief rod2	1
38	FG 732/20T-38	Spring pin	1
39	FG 732/20T-39	Set of 8 pcs - Plastic plug	1
40	FG 732/20T-40	Dust-proof cover	2
41	FG 732/20T-41	Workbench wear plate(right)	2
42	FG 732/20T-42	Workbench wear plate(left)	2
43	FG 732/20T-43	Wirerope	1



Fasangas S.r.l. - Via Di Vittorio, 29/31 - 73010 Surbo (Lecce) – ITALIA - Tel.:+39.0832.362097/364265 - Fax: +39.0832.364453
 http: www.fasanotools.com - e-mail: info@fasanotools.com
AZIENDA CERTIFICATA ISO 9001:2015

REF.	CODE	DESCRIPTION	Q.TY / TOOL
44	FG 732/20T-44	Pin(2T)	1
		Pin(3T)	1
		Pin(6T)	1
		Pin(8T)	1
		Pin(10T)	1
		Pin(12T)	1
		Pin(13T)	1
		Pin(15T)	1
45	FG 732/20T-45	Pump connecting rod	1
46	FG 732/20T-46	Set of 2 pcs - Shoulder screw	1
47	FG 732/20T-47	Shoulder screw	1
48	FG 732/20T-48	Handle2 assy	1
49	FG 732/20T-49	Nylon locking screw nut	3
50	FG 732/20T-50	Winch protection cover B	1
51		Winch protection cover A	1
52	FG 732/20T-51	Set of 2 pcs - Thin hexagon screw nut	1
53	FG 732/20T-52	Inner hexagonal screw	2
54	FG 732/20T-53	Spring washer	2
55	FG 732/20T-54	Handle fixed support	1
56		Spring washer	2
57		Outer hexagonal screw	2
58		Outer hexagonal screw	2