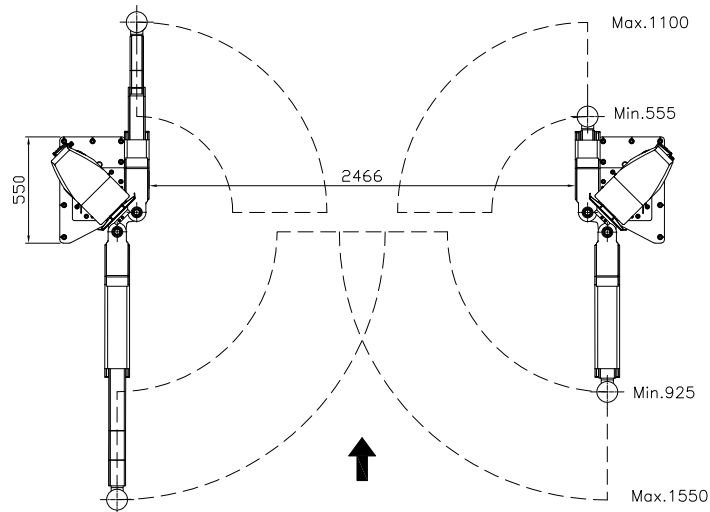
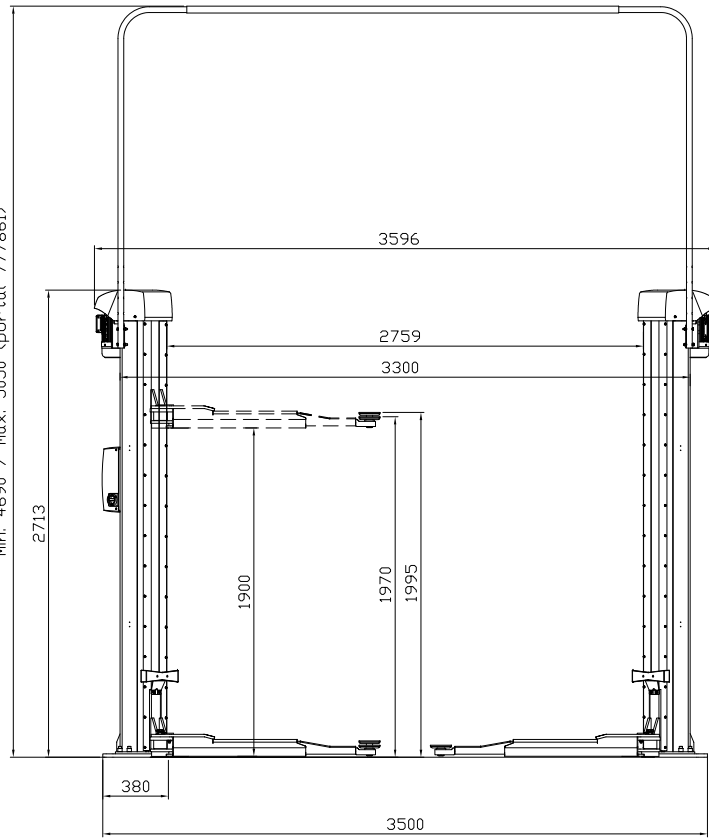
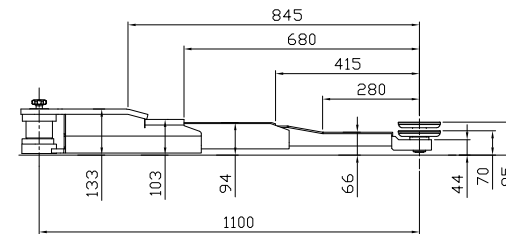


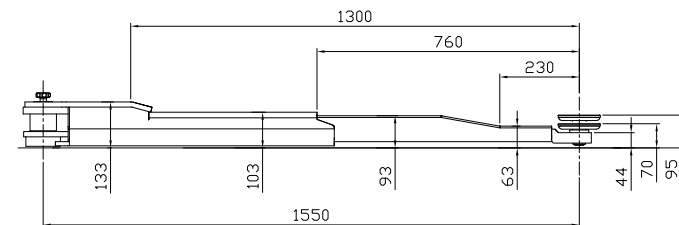
Min. 3990 / max. 4350 (portal 777860)
 Min. 4690 / max. 5050 (portal 777861)



Short arm



Long arm



Date: 121120

Sign. LJE

Scale: 1:35

No. T12350

UPLIFTING COMPANY
AUTOPSTENHOJ

Maestro 2.35 F
 Premium (P)
 ST/DT
 Rev. date: