
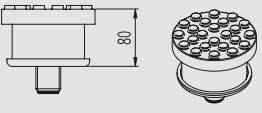
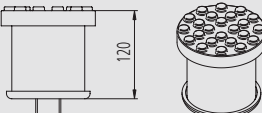



- ACCESSORI PER DUE COLONNE • ACCESSORIES FOR 2 POST LIFT • ZUBEHÖR FÜR 2-SÄULEN-HEBEBÜHNEN
- ACCESSORIES POUR DEUX COLONNES • ACCESORIOS PARA DOS COLUMNAS

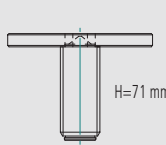
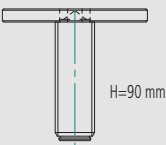
LEGENDA:  Vedi listino per maggiori dettagli
See pricelist for more details
Siehe Preisliste für mehr Details
Voir tarif pour plus de précisions
Ver lista de precios para más detalles

 Montaggio in fabbrica
Factory assembled
Werkseitig montiert
Montage in usine
Montaje en fábrica




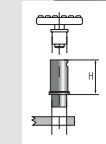
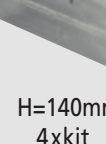
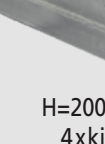

STANDARD ARMS

<p>S121A19</p>  <p>H=80mm 4xkit</p>	<p>S121A18</p>  <p>H=120mm 4xkit</p>	<p>S121A7</p>  <p>H=200mm 4xkit</p>
---	--	---

For Fiat Ducato, Peugeot Boxer, Citroën Jumper
Distanziali / Spacers / Abstandstücke / Rehausses / Espesores

<p>M30 THREAD CAPACITY ≤ 3200 kg</p> <p>STANDARD</p>  <p>H=71 mm</p>	<p>S236A1 à for M30 thread arms</p> <p>S236A2 à for K version arms</p>  <p>H=90 mm</p>
---	---

Standard Arms M30 thread

<p>S224A3</p>  <p>H=80mm 4xkit</p>	<p>S224A4</p>  <p>H=140mm 4xkit</p>	<p>S370A18</p>  <p>H=200mm 4xkit</p>
<p>S370A7</p> 	<p>S370A8</p> 	<p>S370A15</p> 
<p>S224RA4</p> 		

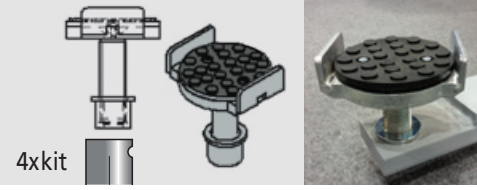
For Fiat Ducato, Peugeot Boxer, Citroën Jumper
Distanziali / Spacers / Abstandstücke / Rehausses / Espesores

- K - LIK - LIKT ARMS Ø 45mm
- 70LIKT ARMS Ø 60mm
- R ARMS Ø 55mm



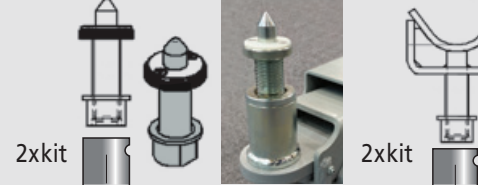
QUICK FIT SYSTEM

S370A19 → S224A3 - S224A4 - S370A18 - Ø 45mm
S370A16 → S370A7 - S370A8 - S370A15 - Ø 60mm



4xkit

S370A17 → S224A3 - S224A4 - S370A18 - Ø 45mm
S370A14 → S370A7 - S370A8 - S370A15 - Ø 60mm



2xkit

Supporti presa telaio / Frame adapters / Halterungen für Chassisaufnahme / Supports prise sur chassis / Espesores de agarre sobre chasis

For Mercedes Sprinter, VW LT+Crafter
Supporti / Adapters / Halterungen / Supports / Adaptadores de agarre



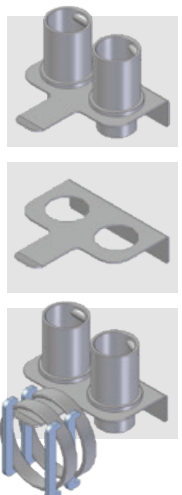
S370A29 → Ø 45mm
S370A28 → Ø 60mm

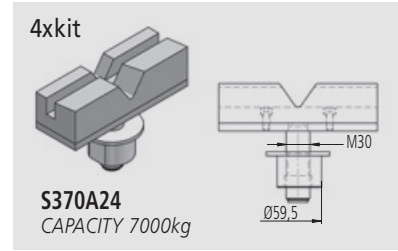
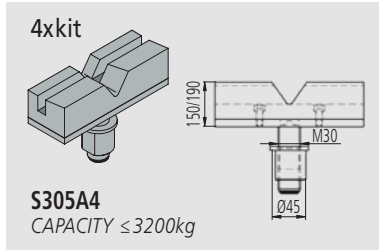
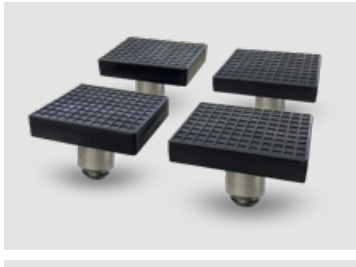


Supporti presa telaio / Frame adapters / Halterungen für Chassisaufnahme / Supports prise sur chassis / Espesores de agarre sobre chasis



Kit supporto distanziali
Spacer supports
Satz Halterung Distanzhülsen
Supports pour rehausses
Soportes para espesores





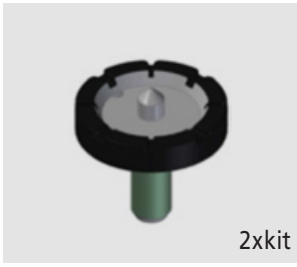
For Tesla
S370A32 → Ø 55 mm (LLK, R)
S370A34 → Ø 45 mm (K, LIK, LIKT, LIKTA)

For Mercedes 460 range



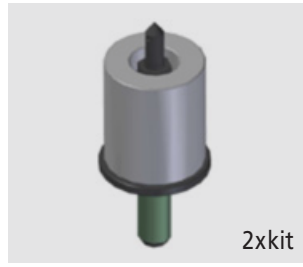
S250A5

**TAMPONI ANTERIORI
 FRONT PADS**



2xkit

**TAMPONI POSTERIORI
 REAR PADS**



2xkit

**PUNTI DI PRESA ANTERIORI
 OFFICIAL FRONT PICK UP POINTS**



**PUNTI DI PRESA POSTERIORI
 OFFICIAL REAR PICK UP POINTS**



Kit tamponi specific per:
 Pads kit designed for:
Fiat Ducato
Peugeot Boxer
Citroën Jumper

I puntali vanno inseriti nei fori dei punti di presa per evitare il rischio di il veicolo scivoli.

Le prolunghe integrate nei tamponi posteriori (h=115mm) permettono di raggiungere i punti, evitando ostacoli sotto il telaio, come la marmitta.

The pins on top must be inserted in the pick-up points holes to avoid the risk of slipping.

The integrated extension in the rear pads (h=115mm) allows to reach the points, avoiding obstacle in the underbody, like the exhaust pipe.



S370A27

2xkit



S370A22

1xkit



S370A23

4xkit

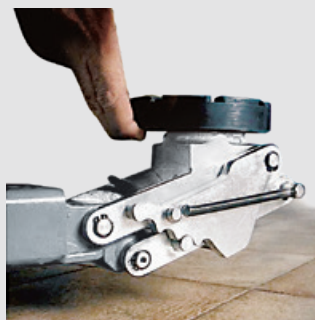
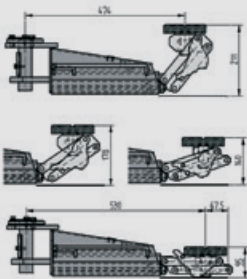
Vaschetta magnetica per bracci / *Magnetic Tray / Werkzeug-Ablageschale / Bac magnétique, magnetisch* / Deposito magnetico

Kit cinghie trattenimento / *Retaining belts kit / Sicherheitsgurt / Kit de sangles de maintien* / Kit correas de retencion

Kit 4 supporti per innalzamento veicoli extrabassi / *Set of 4 supports for extra low clearance vehicles / Satz Unterstellplatten für extrem niedr. Fahrzeuge (4 Stk) / Kit de supports pour rehausser les vehicules tres bas / Juego de soportes para levantamiento de vehiculos de bajo perfil*

MULTI HEIGHT PAD

CAPACITY ≤ 3500kg



S305A14
S336A1
S234A1

Tampori Estensibili

- 4 altezze (95, 140, 178, 211mm)
- posizionamento rapido
- si alza con due dita e scende tirando il cavalletto
- ulteriore regolazione a vite di 40mm

Flip-up Pads

- 4 heights (95, 140, 178, 211mm)
- quick positioning
- two fingers to push up the pad and lowering by pulling the cable
- further 40mm screw adjustment

Aufklappbare Aufnahmen

- 4 Unterschwenkhöhen (95, 140, 178, 211mm)
- schnell Positionierung
- Heben mit zwei Fingern und senken mit Kabelschnur
- weitere 40mm Erhöhung mit Drehteller

Tampons Extensibles

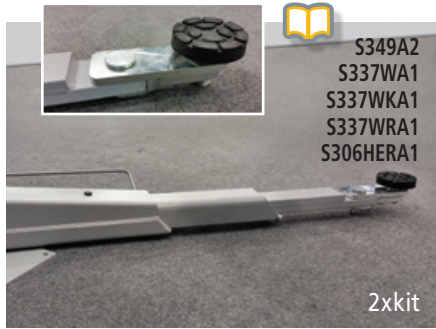
- 4 hauteurs (95, 140, 178, 211mm)
- positionnement rapide
- levage avec deux doigts et descente en tirant le câble
- réglage ultérieure à vis de 40mm

Tacos Extensibles

- 4 alturas (95, 140, 178, 211mm)
- colocación rapida
- se levanta con dos dedos y se baja tirando el cable
- 40mm más de altura ajustables a rosca



S305A14/S Fornito installato in fabbrica in sostituzione dei tamponi esistenti
S336A1/S Fitted in factory instead of standard pads
S234A1/S Satz Aufnahmen wie ohne /S Satz bereits werksseitig montiert
S370A2/S Fournis installés en remplacement des tampons existants
S5.337A7X2/S Tacos suministrado ya instalados en lugar de los tacos normales



S349A2
S337WA1
S337WKA1
S337WRA1
S306HERA1

2xkit

Arm Extensions



S337A2

2xkit



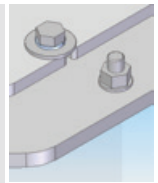
S349A1

2xkit



S370A30
S370A36

2xkit



Kit contropiastre
Piastra per montaggio 2 colonne su pavimento con caratteristiche insufficienti.
Spessore min. 100 mm R'bk 200 (S370A30 e S370A36 150mm).

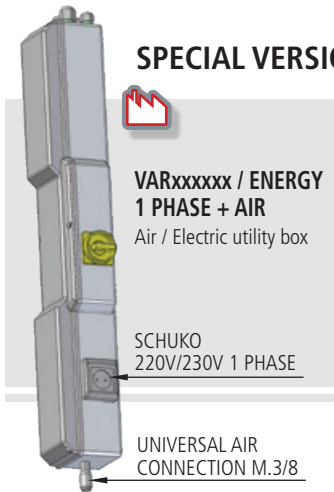
Outrigger kit
Plates to install 2-post lifts on floor with poor capacity.
Min. requirement R'bk 200 with thickness 100 mm (S370A30 and S370A36 150mm).

Satz Zusatzgrundplatten
Zusatzplatten für die Montage von Zwei-Säulenhebebühnen auf Böden mit geringer Betonschicht.
Mindestanforderung: Betondicke 100 mm, Betonqualität R'bk 200 (S370A30 und S370A36 150mm).

Kit plateaux
Plateaux pour installer les éleveurs 2 colonnes sur un sol de qualité insuffisante.
Épaisseur mini 100 mm avec béton R'bk 200 (S370A30 et S370A36 150mm).

Kit de placas de soporte para las bases de las columnas
Placas para montaje de 2 columnas en suelos con características insuficientes.
Espesor mínimo recomendado 100 mm, hormigón R'bk 200 (S370A30 y S370A36 150mm).

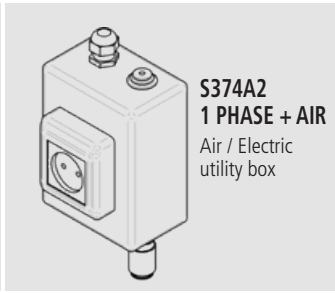
SPECIAL VERSIONS Energy Set



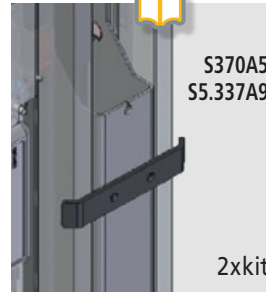
VARxxxxxx / ENERGY
1 PHASE + AIR
Air / Electric utility box

SCHUKO
220V/230V 1 PHASE

UNIVERSAL AIR
CONNECTION M.3/8



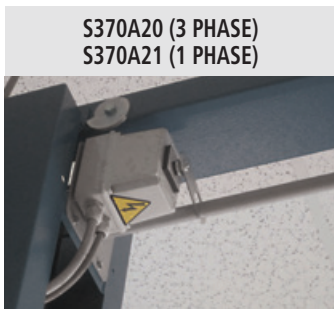
S374A2
1 PHASE + AIR
Air / Electric utility box



S370A5
S5.337A9

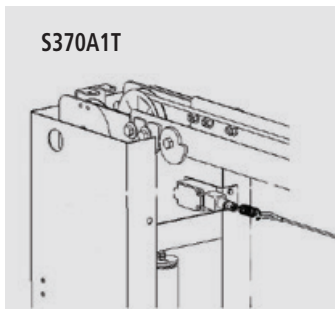
2xkit

Set parasportelli / Set of door protections / Satz Türansschläge / Kit protection portes / Juego de protecciones para puertas.

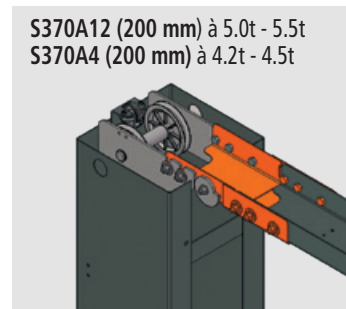


S370A20 (3 PHASE)
S370A21 (1 PHASE)

Finecorsa / Limit switch / Endabschalter / Fin de course / Final de carrera



S370A1T



S370A12 (200 mm) à 5.0t - 5.5t
S370A4 (200 mm) à 4.2t - 4.5t

Estensione larghezza / Width extension / Verbreitung / Extension en largeur / Extensión de anchura



S121A2A

4xkit

Cavalletti per assetto / Alignment stands / Stative für Achsvermessung / Béquilles pour géométrie / Caballetes para alineado



S110A7
Ø 310 mm (12.2")
2x1000 kg (2x2200lbs)

Piatti rotanti / Turntables / Drehplatten / Plateaux pivotants / Platos giratorios



Pad, upper side
Tampone, lato superiore

Pad, bottom side
Tampone, lato inferiore

Code number
046405771

Diameter - Diametro 125 mm



Pad, upper side
Tampone, lato superiore

Pad, bottom side
Tampone, lato inferiore



Pad Support
Piattello

Code number
046405772

Code number
042720041

Diameter - Diametro 125 mm

Kit including 1 pad + 1 support
Kit composto da 1 tampone e 1 piattello **047097180**



Pad, upper side
Tampone, lato superiore

Pad, bottom side
Tampone, lato inferiore

Code number
047021040

Diameter - Diametro 147 mm



Pad, upper side
Tampone, lato superiore

Pad, bottom side
Tampone, lato inferiore

Code number
047021041

Diameter - Diametro 150 mm

Kit including 1 pad + 1 support
Kit composto da 1 tampone e 1 piattello **047091070**

Kit including 1 pad + 1 support
Kit composto da 1 tampone e 1 piattello **047097210**

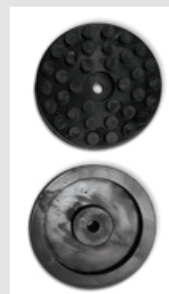


Pad, upper side
Tampone, lato superiore

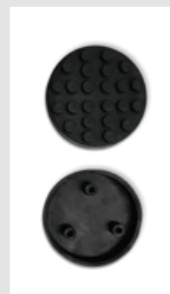
Pad, bottom side
Tampone, lato inferiore

Code number
047021850

Diameter - Diametro 100 mm



121KP6Z215
150mm



04640577
120mm

Kit including 1 pad + 1 support
Kit composto da 1 tampone e 1 piattello **047097250**

Pads for old KP - 2 posts lifts series
Tamponi per ponti 2 colonne molto vecchi serie KP