

Date: 040613

Sign. LJE

Scale: 1:50

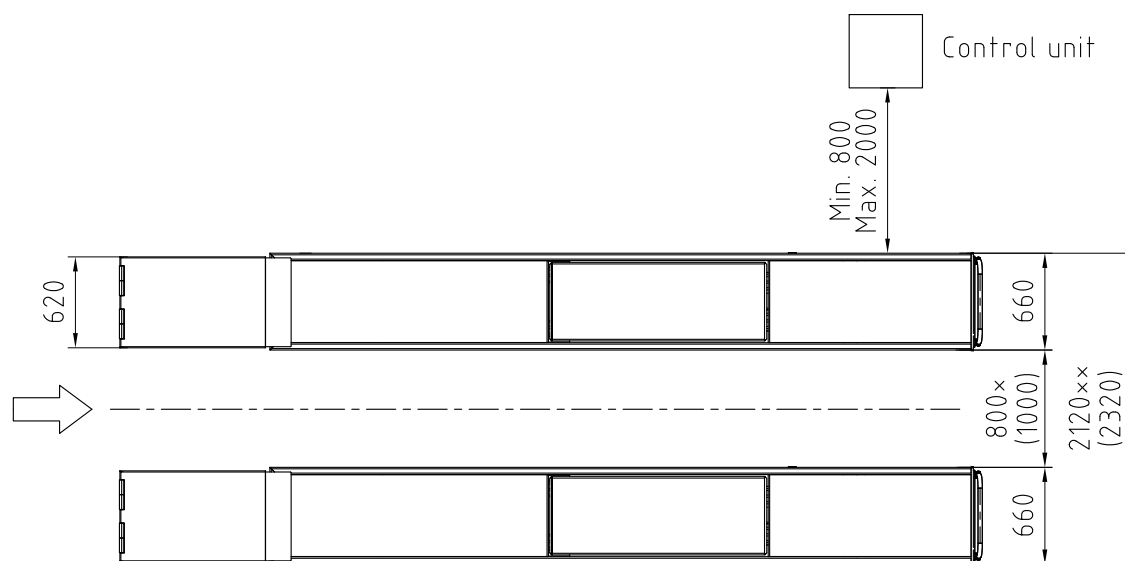
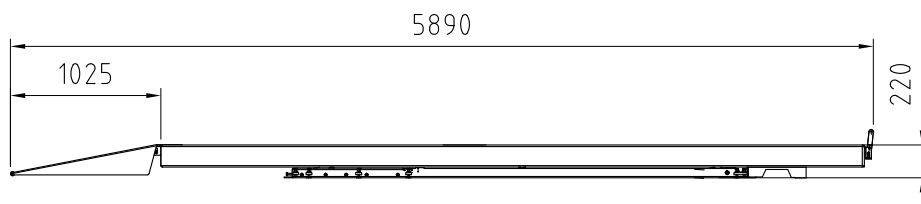
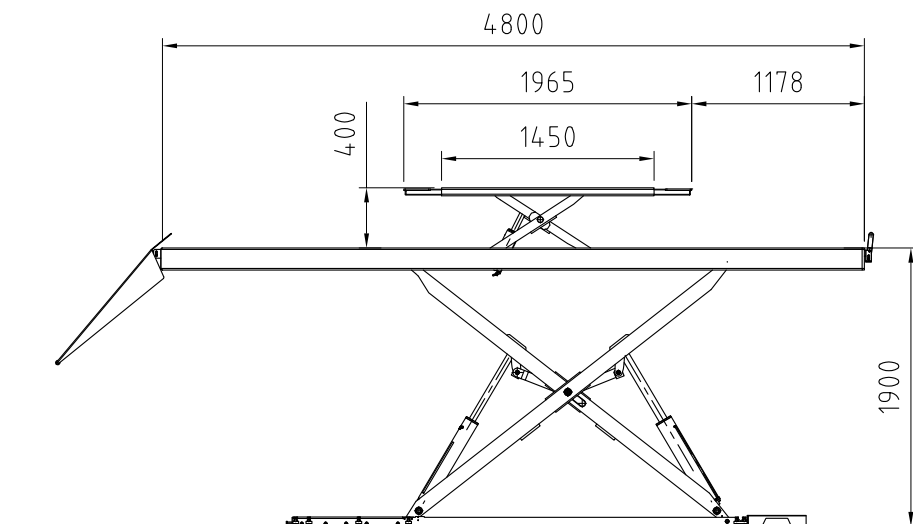
No. T1 1554

UPLIFTING COMPANY

AUTOP STENHOJ

Dimension sketch
MagiX 45 S Combi -48

Rev. date: 220813



x) Recommended distance (with scissor jack = 875mm)
xx) Recommended distance (with scissor jack = 2195mm)