

Super Automatic tyre changer for trucks, agriculture and earth moving wheels, up to 58".

Locking system for wheels 12-46" (58" optional).

3-speed motoinverter (1-4-8 rpm), low speed allows tyre tread sculpting.

1 Tools holding arm and clamping chuck arm move in synch, keeping the tools perfectly tangent to the wheel.

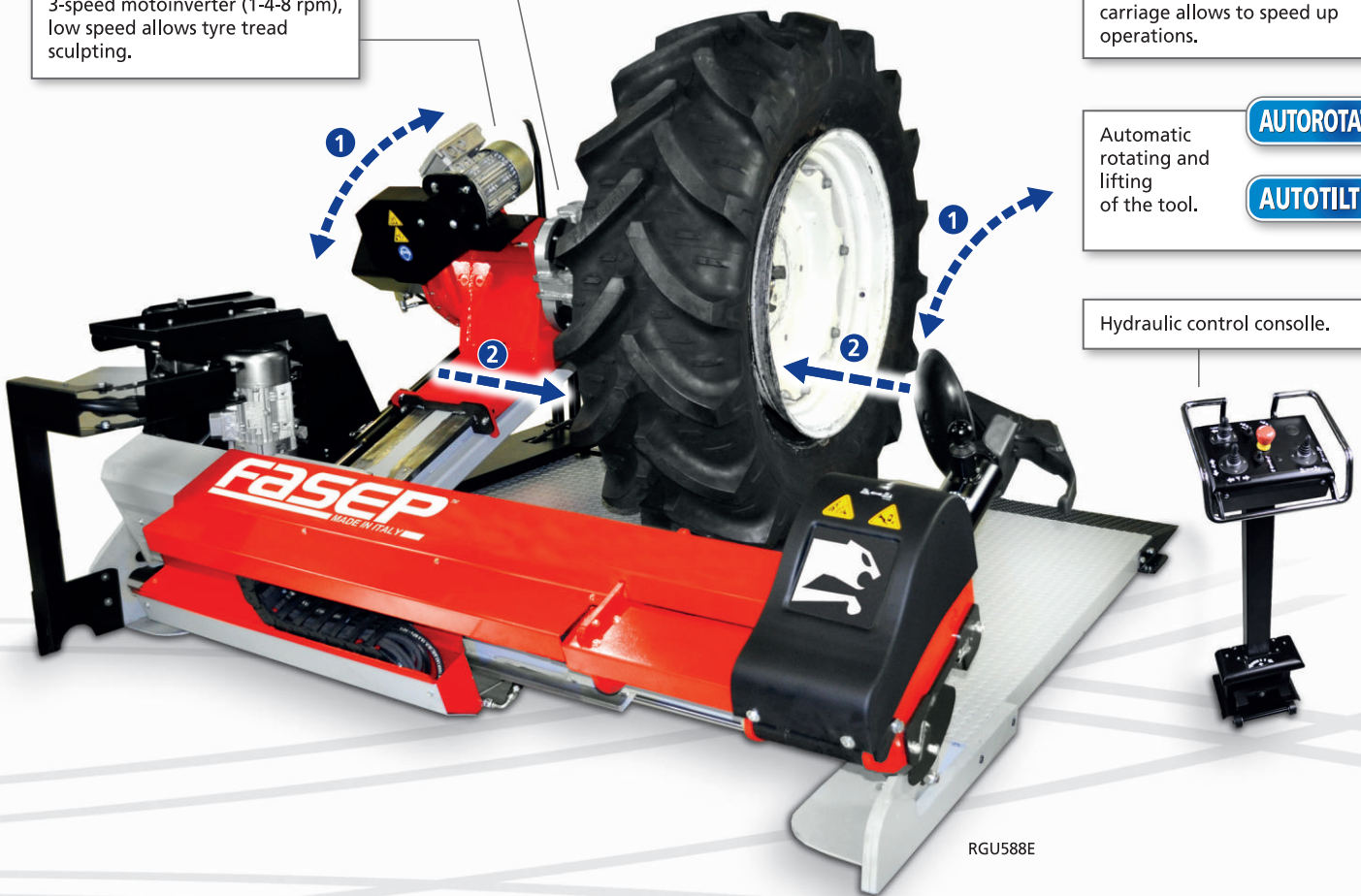
2 Synchronized travelling movement of clamping chuck arm and tool carriage allows to speed up operations.

Automatic rotating and lifting of the tool.

AUTOROTATE

AUTOTILT

Hydraulic control console.



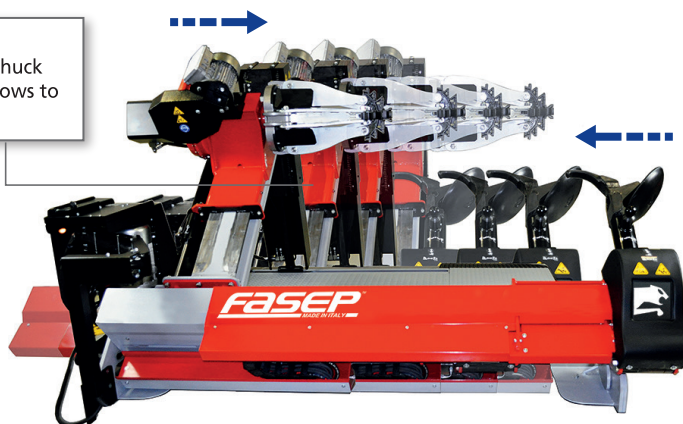
RGU588E

Suitable for normal and tubeless tires. Self-centering hydraulic chuck with 4 clamping jaws. Variable speed motor (inverter) (it allows siping on agri-tires). Clockwise and anticlockwise rotation of the chuck. Universal toolhead. Mobile Chuck Arm with hidraulic motion (left-right). Hidraulic lifting of chuck up-down. Electro-Hydraulic displacement (left right) of the arm that contains the toolhead. Toolhead with automatic lifting and automatic rotation. Mobile remote control (low voltage).

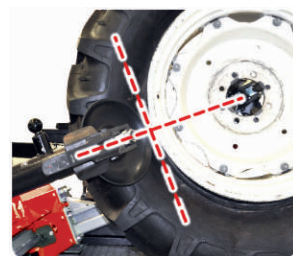


SOMEONE YOU CAN TRUST.

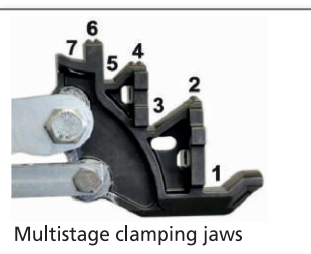
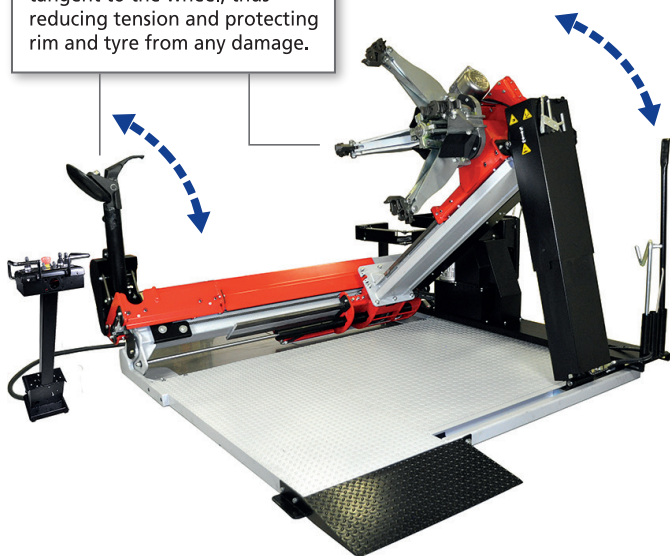
Synchronized travelling movement of clamping chuck arm and tool carriage allows to speed up operations.



Demounting tool and bead breaking disk operating perfectly perpendicular to the center of the wheel.



Tools holding arm and clamping chuck arm move in synch, keeping the tools perfectly tangent to the wheel, thus reducing tension and protecting rim and tyre from any damage.



Multistage clamping jaws

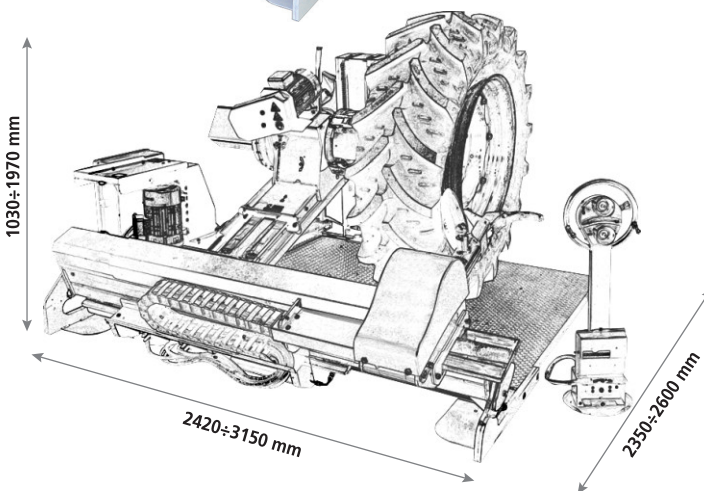


OPTION

Suitable for control console installation on pivoting arm.

TECHNICAL FEATURES

• Rim max diam	12 - 46" (58" optional)
• Max wheel weight	2000 kg
• Max wheel diam	2600 mm (102")
• Max wheel width	1530 mm (60")
• Hydraulic pump motor	4,4 kW (6.0 Hp)
• Chuck Gearbox motor	1,5 kw (2.0 Hp)
• Spindle shaft working height min	365 mm
• Bead breaking force (in/out)	37.6 kN
• Max rotation torque	3,6 kN
• Clamping force max	48 kN
• Rim central hole min	80 - 1200 mm
• Noise	< 70 dB (A)



ACCESSORIES ON

www.fasep.it

Authorized dealer



For further information about this and other products, please visit www.fasep.it

FASEP
MADE IN ITALY

FASEP 2000 s.r.l.
Via Faentina, 96 - 50032 Ronta (Firenze) ITALY
Tel. +39 055 8403126 - Fax +39 055 8403354